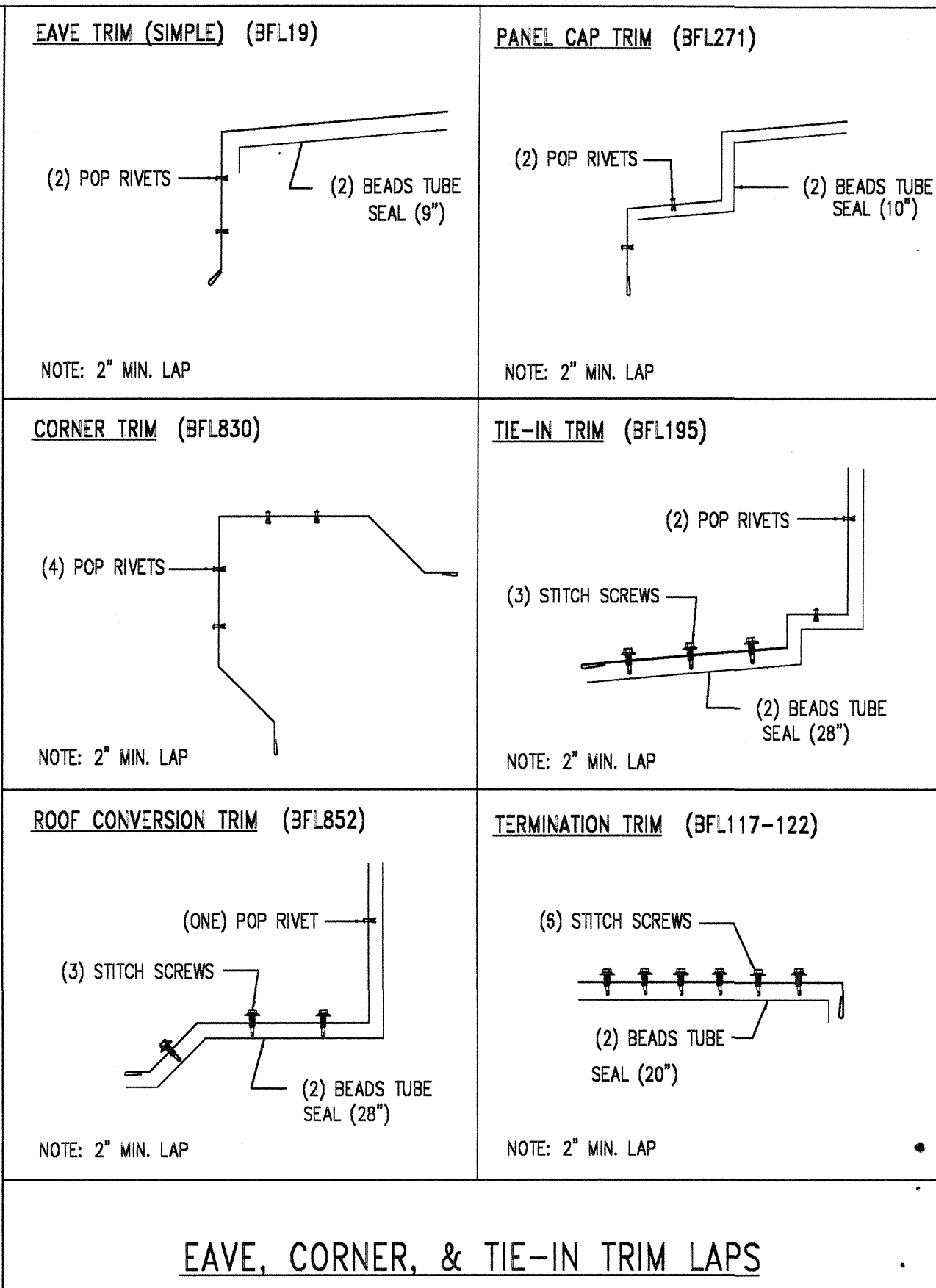
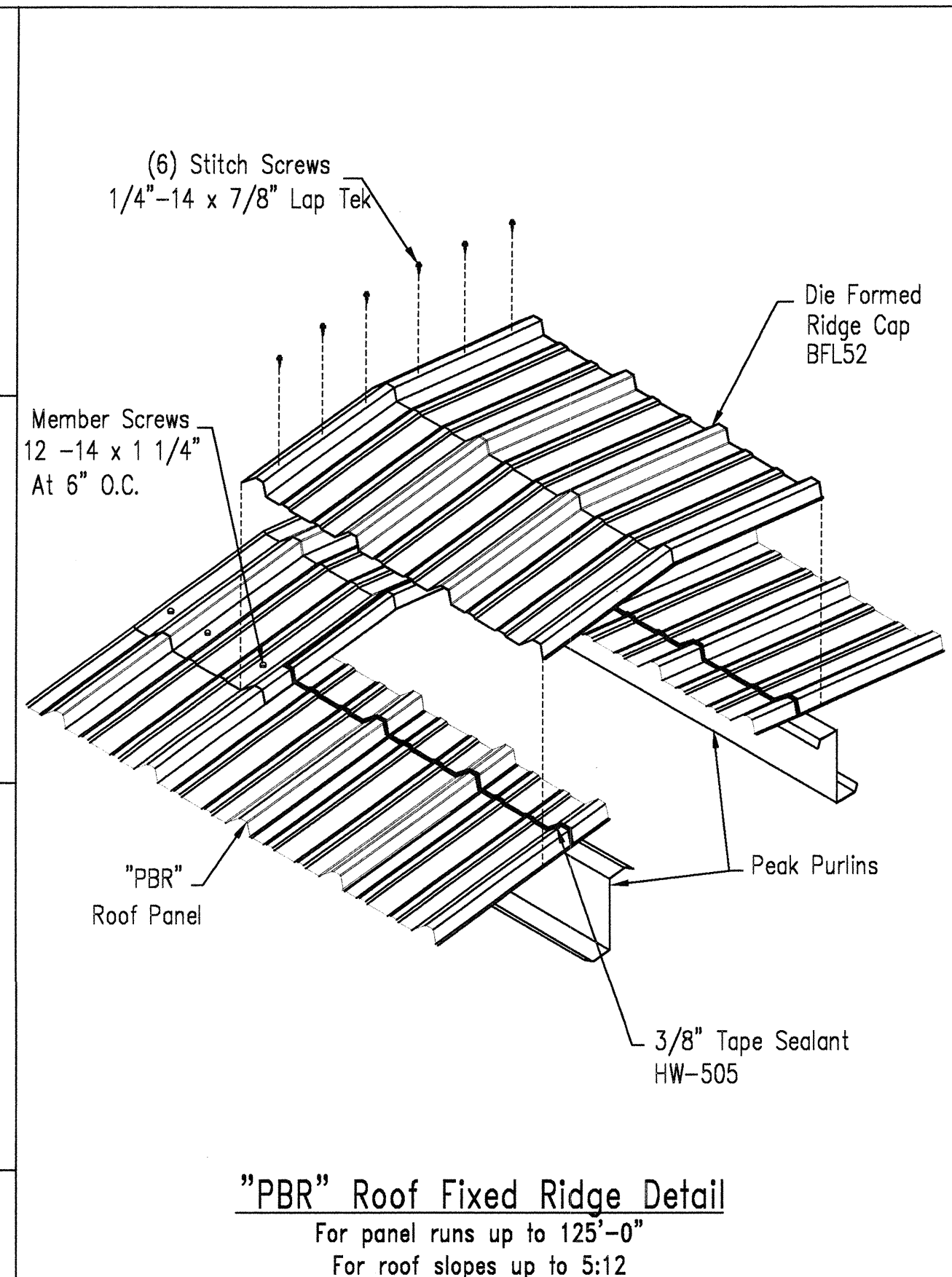


PBR Jamb and Head Trim Details

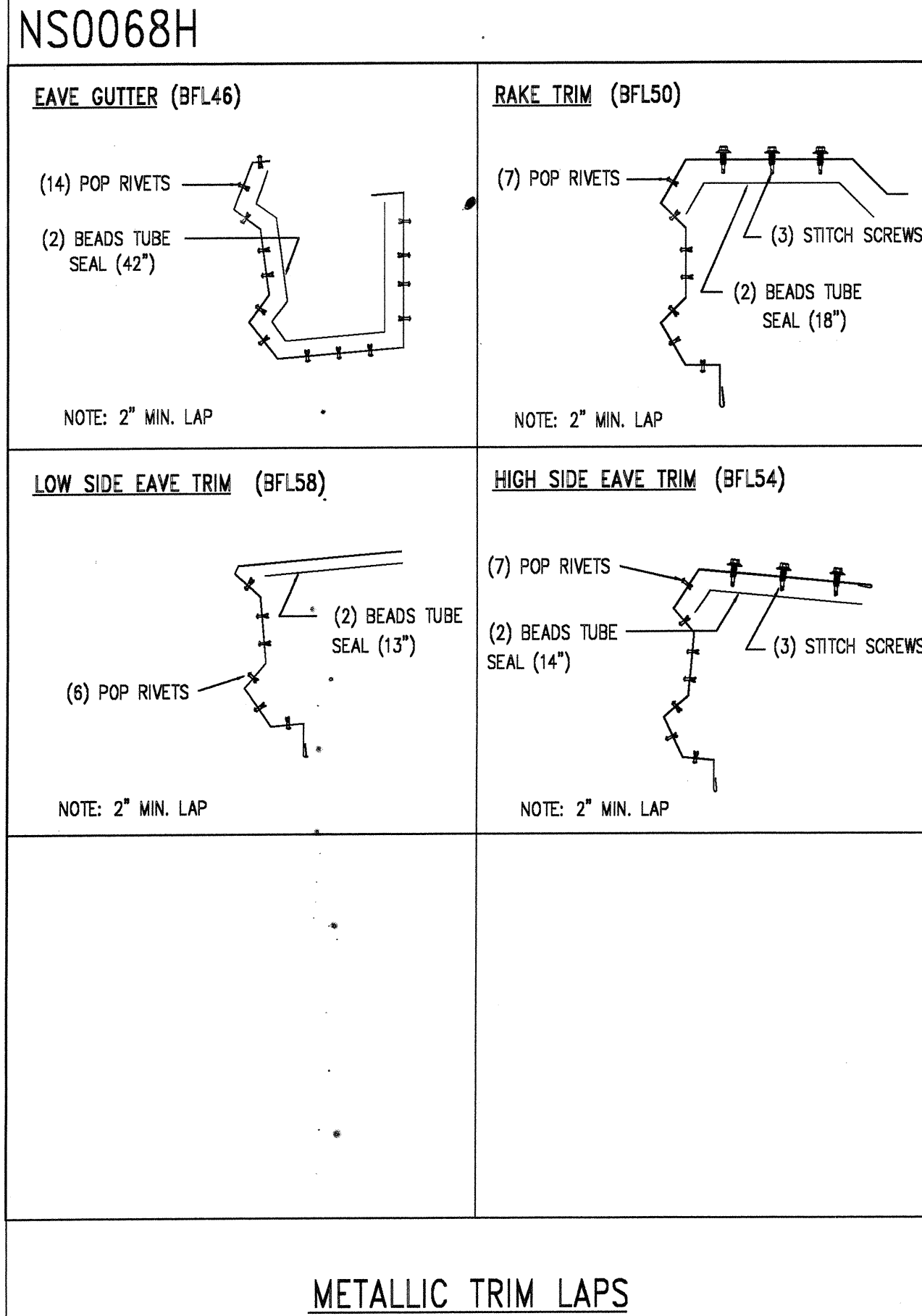


EAVE, CORNER, & TIE-IN TRIM LAPS

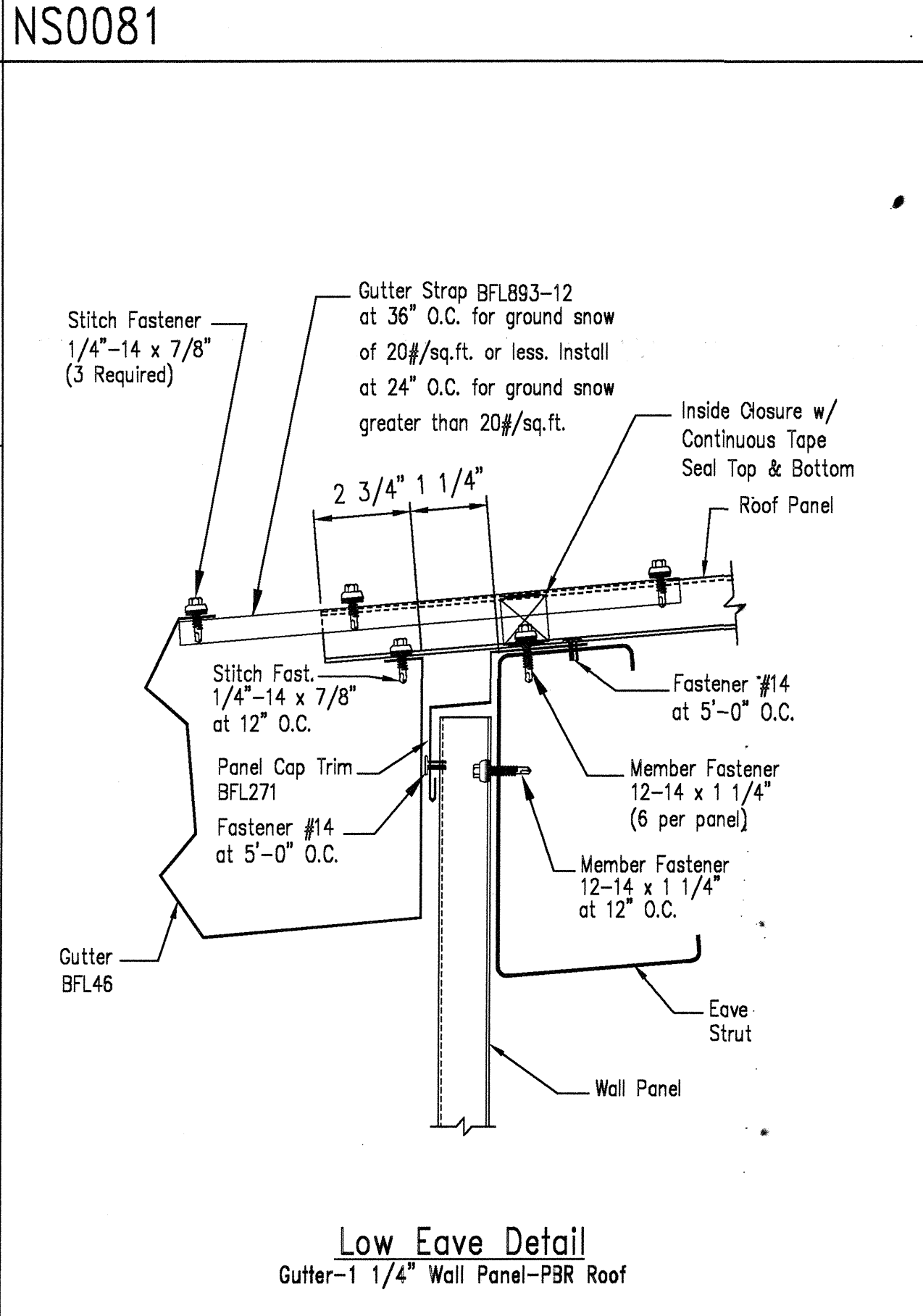


"PBR" Roof Fixed Ridge Detail
For panel runs up to 125'-0"
For roof slopes up to 5:12

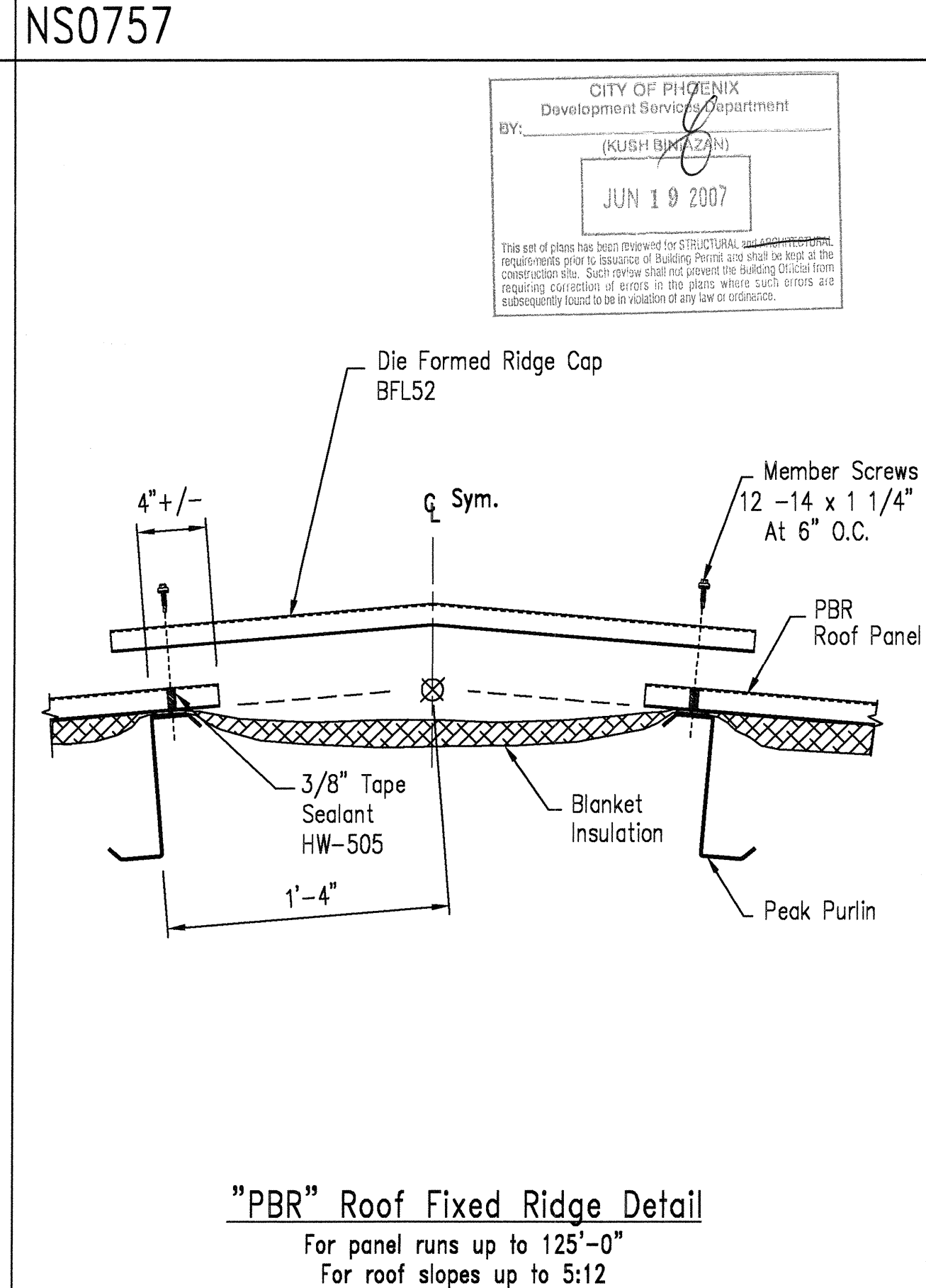
FASTENER #1 1/4"-14 x 1" Driller 5/16" Hex Washer Head w/ 5/8" O.D. Washer	FASTENER #1E 1/4"-14 x 1 1/4" Long Life Driller 5/16" Hex Washer Head w/ Sealing Washer	FASTENER #3 12-14 x 1 1/4" Long Life Driller 5/16" Hex Washer Head w/ Sealing Washer	FASTENER #32 14 x 1 1/2" TYPE AB Long Life 5/16" Hex Washer Head w/ 5/8" O.D. Washer	FASTENER #44 1/4"-14 x 7/8" Lap TEK 5/16" Hex Washer Head w/ 1 1/8" O.D. Washer	FASTENER #226 3/16" x 9/16" Closed End Rivet
FASTENER #1A 12-14 x 1" Driller 5/16" Hex Washer Head	FASTENER #1F 1/4"-14 x 1 1/2" Driller 5/16" Hex Washer Head w/ 5/8" O.D. Washer	FASTENER #3A 12-14 x 1 1/2" Long Life Driller 5/16" Hex Washer Head w/ Sealing Washer	FASTENER #33 14 x 1 1/4" TYPE AB Long Life 5/16" Hex Washer Head w/ 5/8" O.D. Washer	FASTENER #44L 1/4"-14 x 7/8" Long Life Lap TEK 5/16" Hex Washer Head w/ 1 1/8" O.D. Washer	FASTENER #228 10 x 1/2" Grommet Washer
FASTENER #1B 1/4"-14 x 1 1/4" Driller 5/16" Hex Washer Head	FASTENER #2A 17 x 1" Long Life AB 5/16" Hex Washer Head w/ Sealing Washer	FASTENER #4 1/4"-14 x 7/8" Long Life Lap TEK 5/16" Hex Washer Head w/ Sealing Washer	FASTENER #43 1/4"-14 x 1 1/4" Driller 5/16" Hex Washer Head w/ 1 1/8" O.D. Washer	FASTENER #46 1/4"-14 x 5/8" Long Life Type B 5/16" Hex Washer Head w/ Sealing Washer	FASTENER #HW399 #6 x 1" Rubber Grommet 1/4" Hex Head w/ Washer
FASTENER #1C 1/4"-14 x 3/4" Driller 5/16" Hex Washer Head w/ 5/8" O.D. Washer	FASTENER #2B 1/4"-14 x 1" Long Life AB 5/16" Hex Washer Head w/ Sealing Washer	FASTENER #4A 1/4"-14 x 7/8" Lap TEK 5/16" Hex Washer Head w/ 5/8" O.D. Washer	FASTENER #43L 1/4"-14 x 1 1/4" Long Life Driller 5/16" Hex Washer Head w/ 1 1/8" O.D. Washer	FASTENER #66 14 x 3/4" Type AB Long Life 5/16" Hex Washer Head w/ 5/8" O.D. Washer	



METALLIC TRIM LAPS

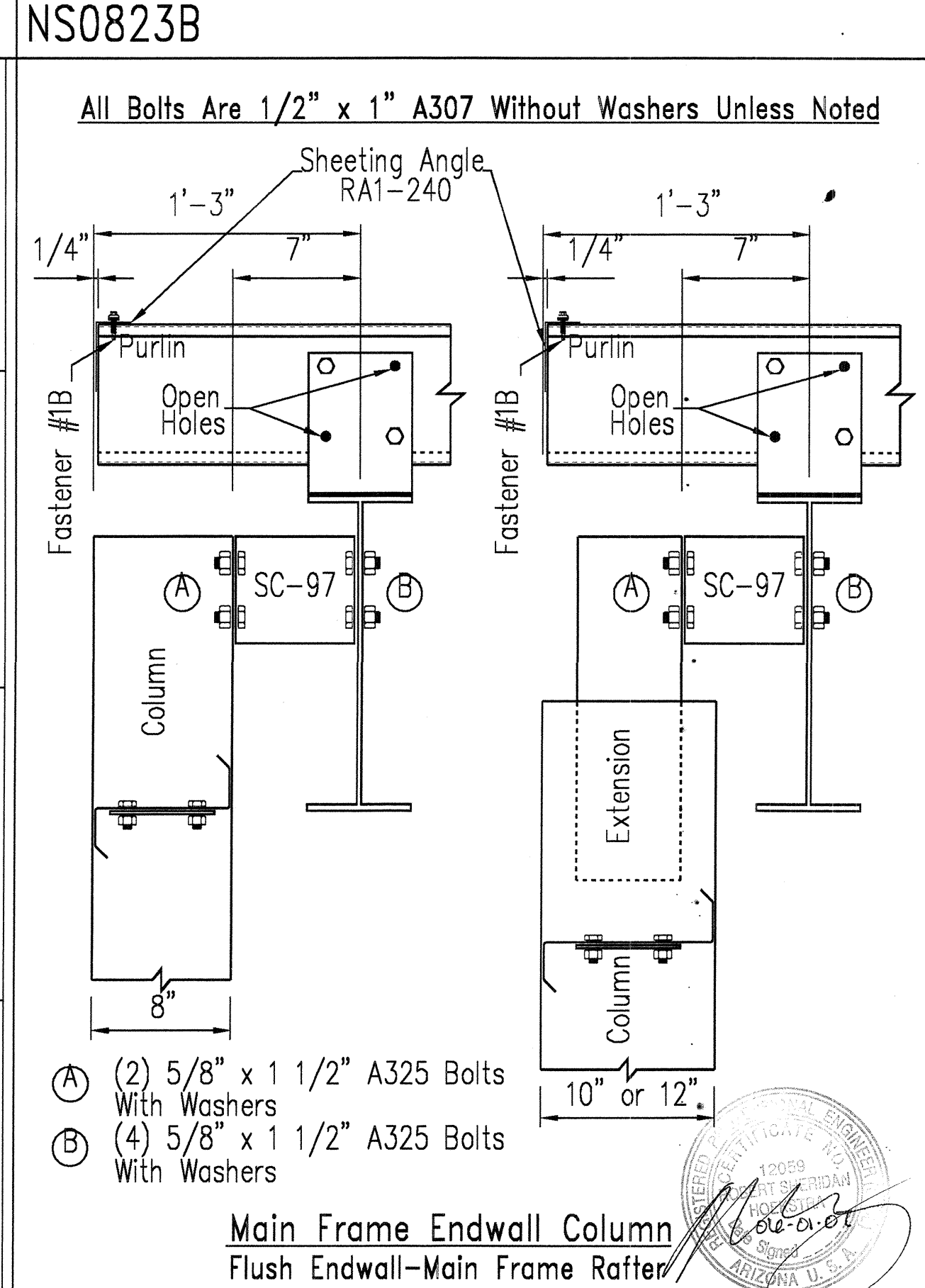


Low Eave Detail
Gutter-1 1/4" Wall Panel-PBR Roof



"PBR" Roof Fixed Ridge Detail
For panel runs up to 125'-0"
For roof slopes up to 5:12

FASTENER #5 1/4"-14 x 1 1/4" Shoulder TEK 2 5/16" Hex Washer Head	FASTENER #14 1/8" x 5/16" Pop Rivet	FASTENER #17B 12-14 x 1 1/2" Driller 5/16" Hex Washer Head w/ 5/8" O.D. Washer
FASTENER #6 12-24 x 1 1/4" TEK 4.5 5/16" Hex Washer Head w/ 5/8" O.D. Washer	FASTENER #14A 1/8" x 3/8" Pop Rivet SS	FASTENER #18A 14 x 3/4" TYPE A 5/16" Hex Washer Head w/ 5/8" O.D. Washer
FASTENER #6A 12-24 x 1 1/4" TEK 4.5 5/16" Hex Washer Head	FASTENER #17 12-14 x 1" Driller 5/16" Hex Washer Head w/ 5/8" O.D. Washer	FASTENER #18B 14 x 1 1/2" TYPE A 5/16" Hex Washer Head w/ 5/8" O.D. Washer
FASTENER #12A 12 x 1 Pancake Self Driller	FASTENER #17A 12-14 x 1 1/4" Driller 5/16" Hex Washer Head w/ 5/8" O.D. Washer	FASTENER #24 1/4"-8 x 5/8" Nibbed Driller



Main Frame Endwall Column
Flush Endwall-Main Frame Rafter

NOTE:

1. These drawings are intended to depict general installation of item(s) described above. Some item(s) may have been omitted for clarity of presentation. Consult your erection manual or additional S-Sheets for further guidelines and/or clarifications.

ATTENTION INSTALLER: In the event that a discrepancy or error arises with materials shipped for this project or these construction drawings, the installer must notify the manufacturer prior to correcting. If manufacturer is not notified, manufacturer will

NS0068H

NS0081

NS0757

NS0823

NS0823B

NS0080

NS0172

NS0757A

NS0823A

NS0013

REVISIONS				
NO.	DATE	DESCRIPTION	BY	CK'D
A	1/23/07			
B				
C				
D				

Standard Details

Customer: YELLOWWIFE BUILDING SYSTEMS

End User: NATIONAL WATER WORKS

Location: PHOENIX, AZ

Det. By	Chk By	Date	Scale	Building ID	Job Number	Sheet Number	Issue
		1/23/07	N.T.S.	A	3505-233887	NS-4	D