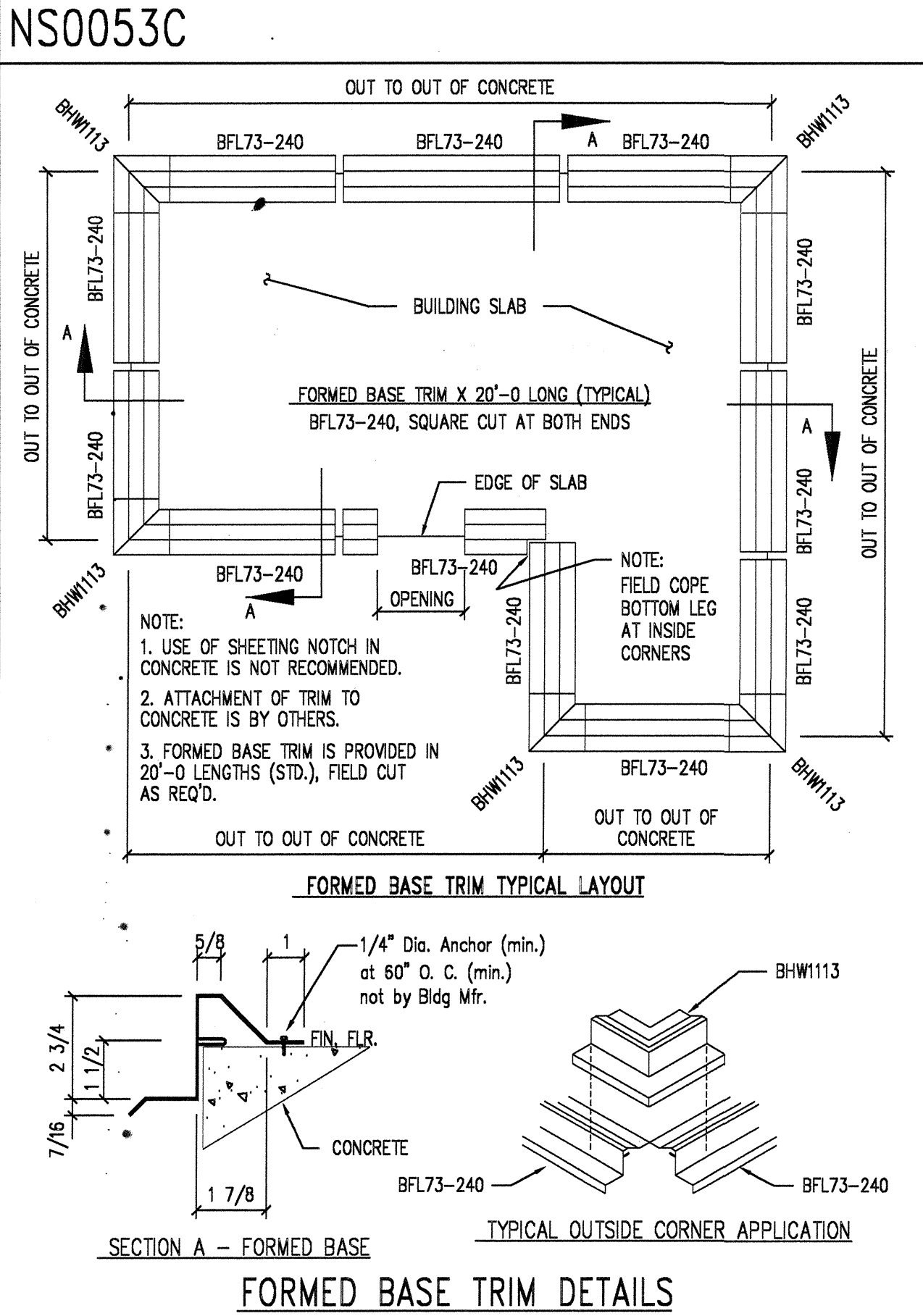
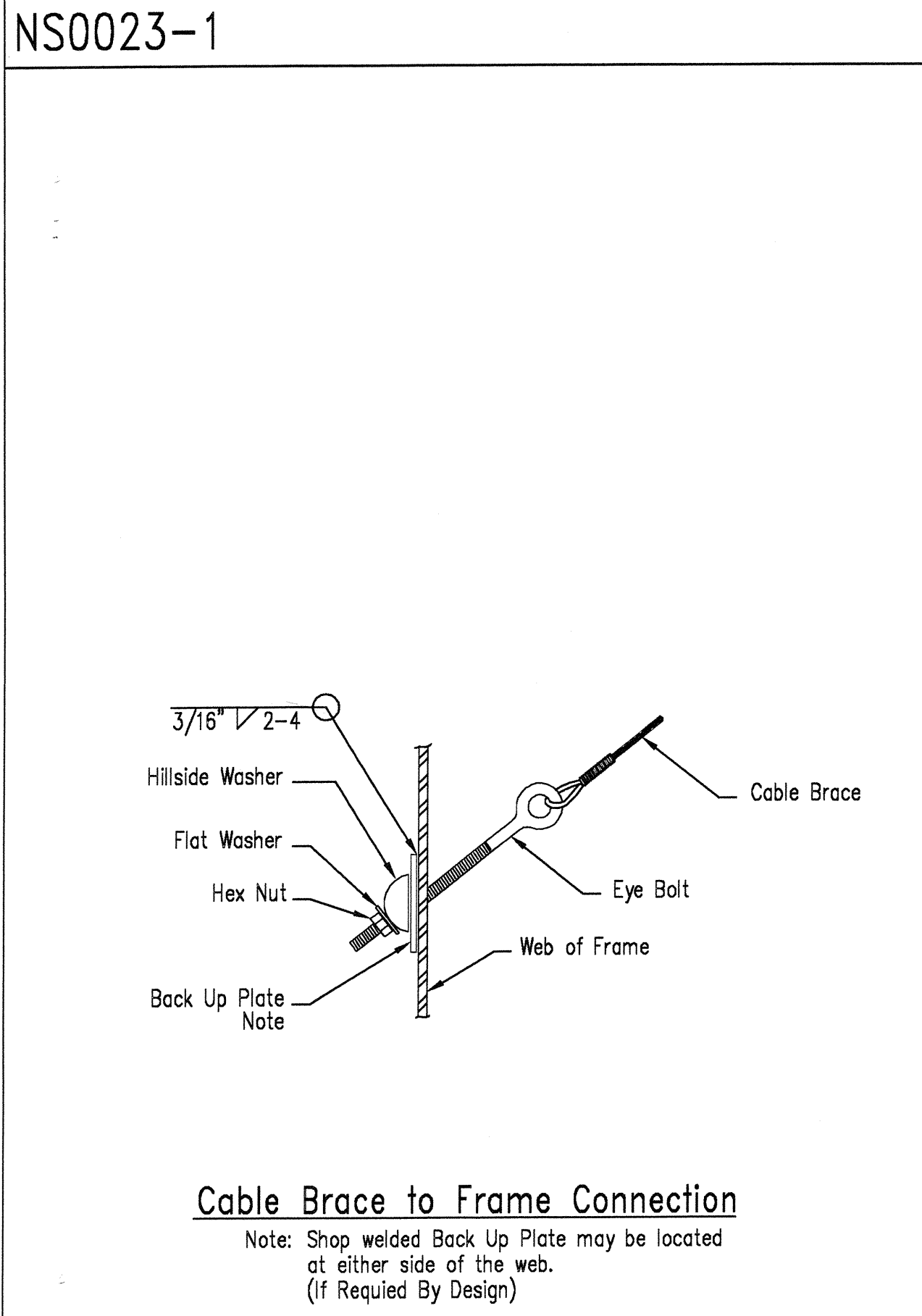
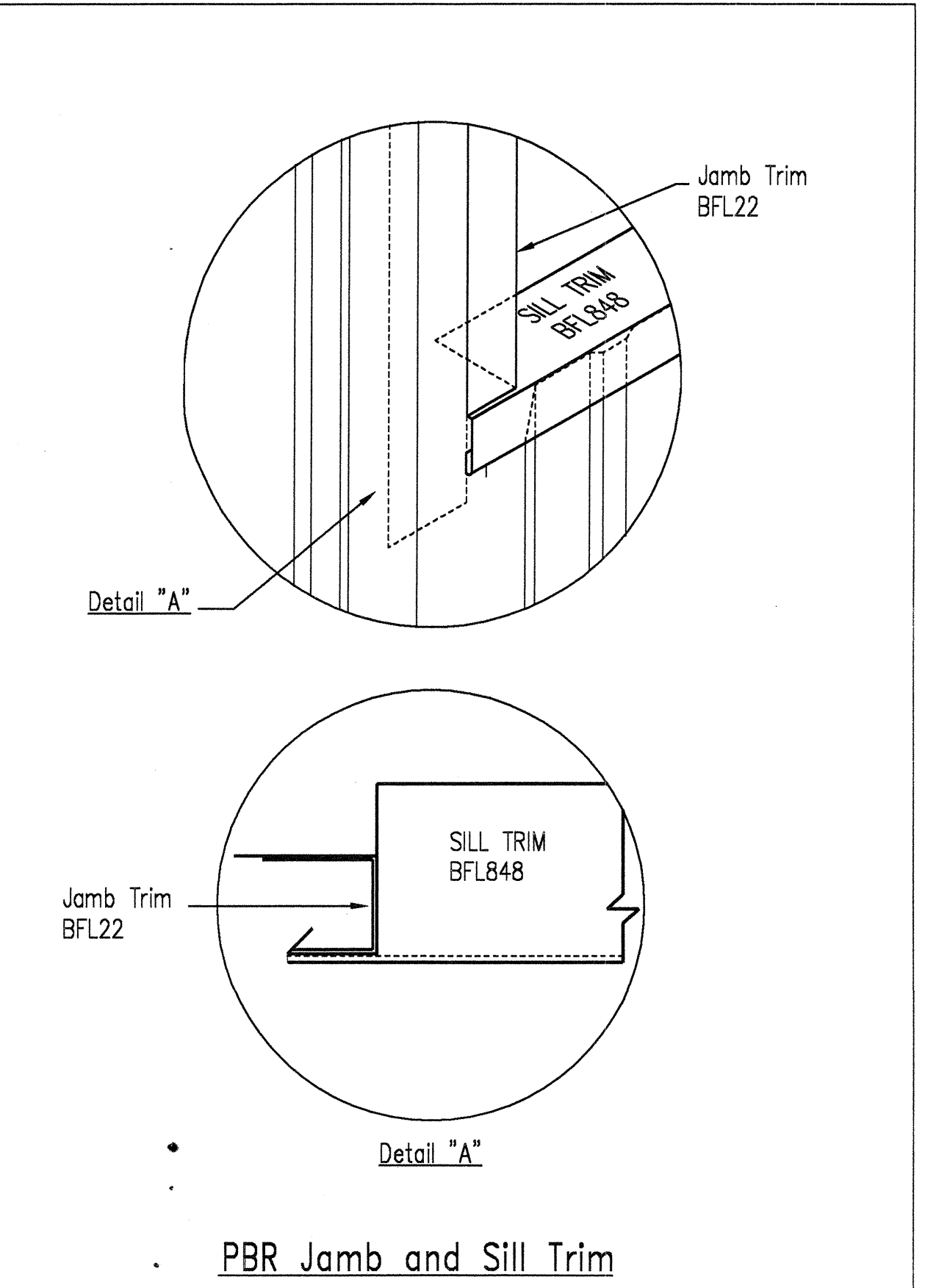
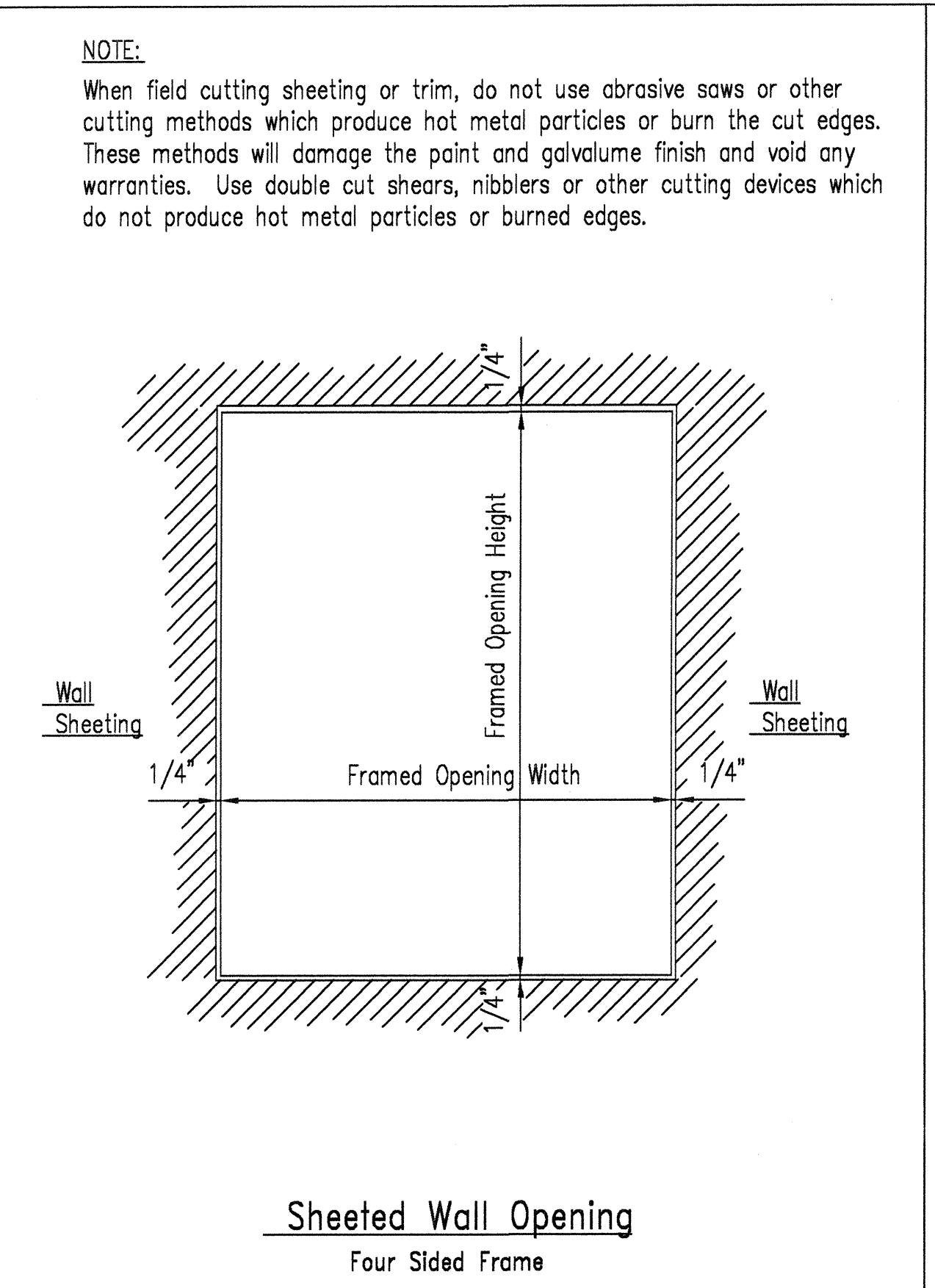


Cold Formed Steel Components Yield Strength = 57.0 K.S.I. (Typ.)

Section Name	Dimensions				Member Properties				Shape	
	D	B1	B2	Lip	Ga.	Ix	Iy	Sx		Sy
08Z26	8	2 1/8	2 1/8	.911	16	0.822	7.759	1.081	1.747	Zees
08Z24	8	2 1/8	2 1/8	.930	14	0.976	9.177	1.289	2.137	
08Z23	8	2 1/8	2 1/8	.956	13	1.185	11.085	1.577	2.724	Zees
08Z22	8	2 1/8	2 1/8	.990	12	1.463	13.624	1.967	3.347	
10Z24	10	2 1/8	2 1/8	.930	14	1.116	15.642	1.290	2.858	Zees
10Z23	10	2 1/8	2 1/8	.956	13	1.355	18.933	1.578	3.727	
10Z22	10	2 1/8	2 1/8	.990	12	1.673	23.285	1.968	4.586	Zees
10Z24	10	3 1/8	3 1/8	.930	14	1.256	19.094	3.077	2.907	
10Z23	10	3 1/8	3 1/8	.956	13	1.525	23.112	3.759	3.933	Zees
10Z22	10	3 1/8	3 1/8	.990	12	1.883	28.427	4.681	4.932	
12Z24	12	3 1/8	3 1/8	.930	14	1.398	29.321	3.078	3.470	Zees
12Z23	12	3 1/8	3 1/8	.956	13	1.595	35.515	3.760	4.733	
12Z22	12	3 1/8	3 1/8	.990	12	2.093	43.722	4.682	6.374	Zees
08ZC6	8	2 1/2	2 1/2	.773	16	0.822	7.791	0.675	1.668	
08ZC4	8	2 1/2	2 1/2	.800	14	0.976	9.210	0.800	2.049	
08ZC2	8	2 1/2	2 1/2	.885	12	1.463	13.649	1.198	3.412	Ceels
08ZC6	8	3 1/2	3 1/2	.773	16	0.940	9.652	1.523	1.712	
08ZC4	8	3 1/2	3 1/2	.800	14	1.116	11.411	1.808	2.251	Ceels
08ZC2	8	3 1/2	3 1/2	.885	12	1.673	15.921	2.712	3.574	
10ZC2	10	3 1/2	3 1/2	.885	12	1.883	28.456	2.912	4.851	Ceels
12ZC2	12	3 1/2	3 1/2	.885	12	2.093	43.758	3.071	6.293	
08ZEL6	8	3 1/8	5	1.088	16	1.058	10.936	2.902	1.890	Eave Struts
08ZEL4	8	3 1/8	5	1.114	14	1.256	12.924	3.440	2.499	
08ZEL2	8	3 1/8	5	1.200	12	1.883	19.143	5.142	4.001	Eave Struts
10ZEL4	10	3 1/8	5	1.114	14	1.398	21.670	3.697	3.161	
10ZEL2	10	3 1/8	5	1.200	12	2.093	32.195	5.537	5.458	Eave Struts
12ZEL4	12	3 1/8	5	1.114	14	1.538	33.201	3.907	3.815	
12ZEL2	12	3 1/8	5	1.200	12	2.303	49.422	5.855	7.057	Eave Struts



NS0067

CEES

DEPTH	FLANGE	PROFILE	GAGE	LEFT	RIGHT	COUNTER
B	3	C	4	G	G	1
Depth Code	Profile Code		Left / Right End Punch			
8 = 8"	C = Cee		NP = No Holes (once)			
10 = 10"	Gage Code		G = Simple			
12 = 12"	2 = 12 ga.		S = Multi Holes			
Flange Code	Counter		A numerical part number from 1 to 999			
3 = 3 1/2"	4 = 14 ga.		6 = 16 ga.			

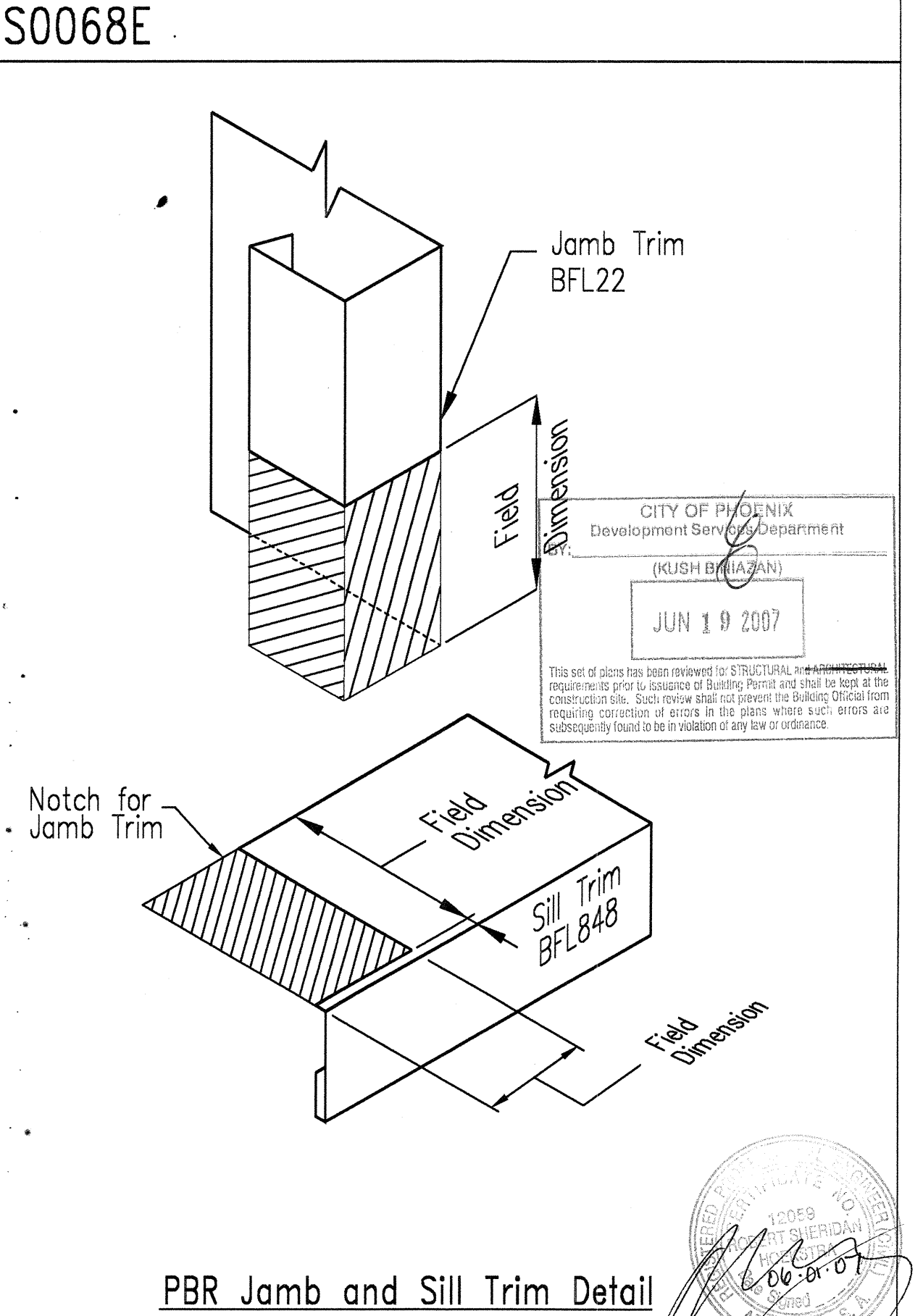
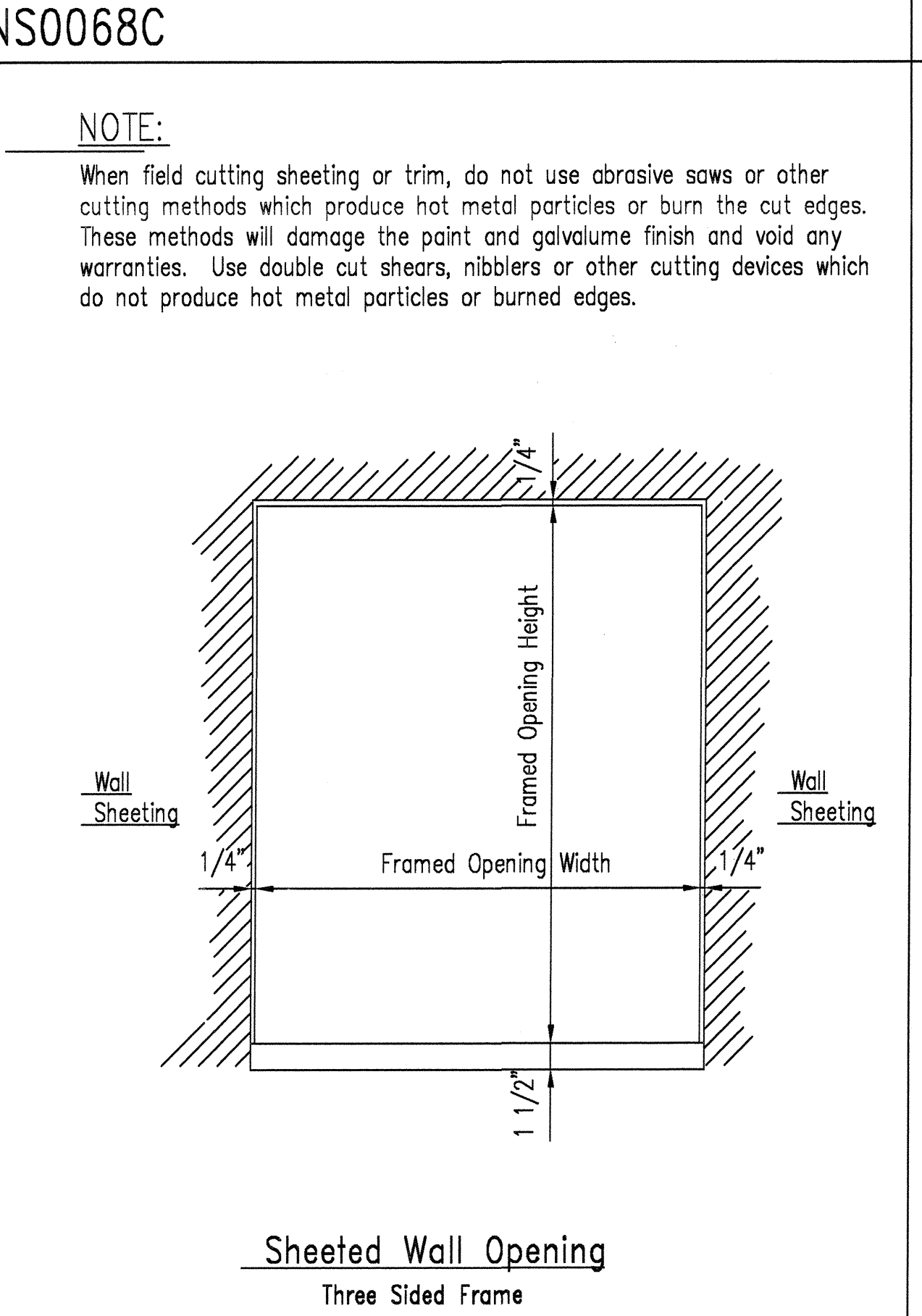
ZEEES

DEPTH	FLANGE	PROFILE	GAGE	LEFT	RIGHT	COUNTER
B	3	Z	4	G	G	1
8 = 8"	Gage Code		Counter			
10 = 10"	2 = 12 ga.		A numerical part number from 1 to 999			
12 = 12"	3 = 13 ga.		4 = 14 ga.			
12 = 12"	6 = 16 ga.		Flange Code			
2 = 2 1/2"	NP = No Holes (once)		G = Simple			
3 = 3 1/2"	S = Multi Holes		L = Long			
Profile Code	Left / Right End Punch		X = Extra Long			
Z = Zee	U = Super Lap		Y = Simple Span			

EAVE STRUTS

DEPTH	FLANGE	PROFILE	GAGE	LEFT	RIGHT	COUNTER	SLOPE
B	3	EL	4	H	H	1	A
8 = 8"	Gage Code		Counter				Slope Code
10 = 10"	2 = 12 ga.		A numerical part number from 1 to 999				
12 = 12"	4 = 14 ga.		6 = 16 ga.				Left / Right End Punch
Flange Code	NP = No Holes (once)		H = Simple				
3 = 3 3/8"	M = Old Multi Holes		J = New Multi Holes				A = 1/2:12
5 = 4 1/2" or 5"	Profile Code		EL = Eave Low				
EH = Eave High	EH = Eave High						C = 2:12
							E = 4:12

Cold Form Identification



NOTE: 1. These drawings are intended to depict general installation of item(s) described above. Some item(s) may have been omitted for clarity of presentation. Consult your erection manual or additional S-Sheets for further guidelines and/or clarifications. ATTENTION INSTALLER: In the event that a discrepancy or error arises with materials shipped for this project or these construction drawings, the installer must notify the manufacturer prior to correcting. If manufacturer is not notified, manufacturer will be responsible for the correction.

NS0053

NS0060

NS0067A

NS0068C

NS0068D

REVISIONS				
NO.	DATE	DESCRIPTION	BY	CK'D
A	1/23/07			
B				
C				
D				

NS0068E

NS0068F

Standard Details

Customer: YELLOWNIFE BUILDING SYSTEMS

End User: NATIONAL WATER WORKS

Location: PHOENIX, AZ

Det. By	Chk By	Date	Scale	Building ID	Job Number	Sheet Number	Issue
		1/23/07	N.T.S.	A	3505-233887	NS-3	D