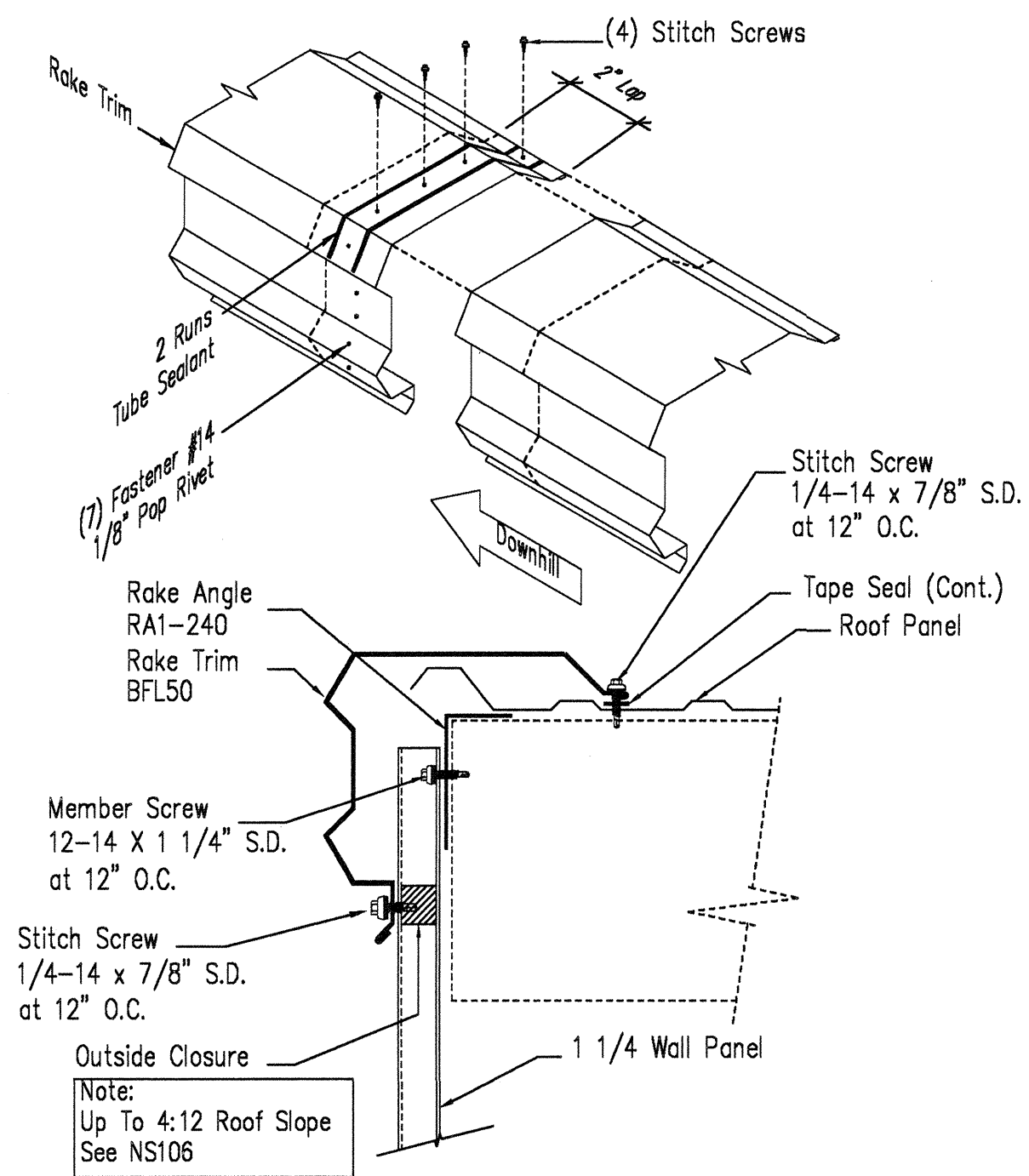
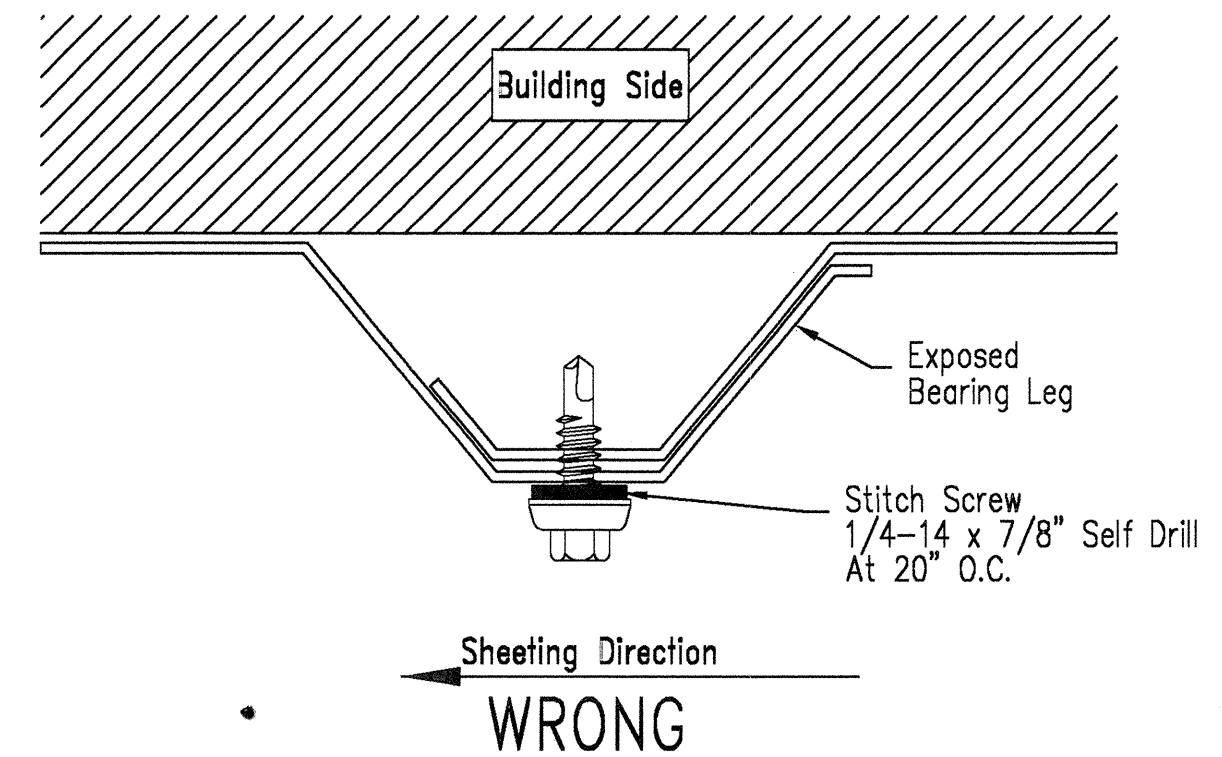
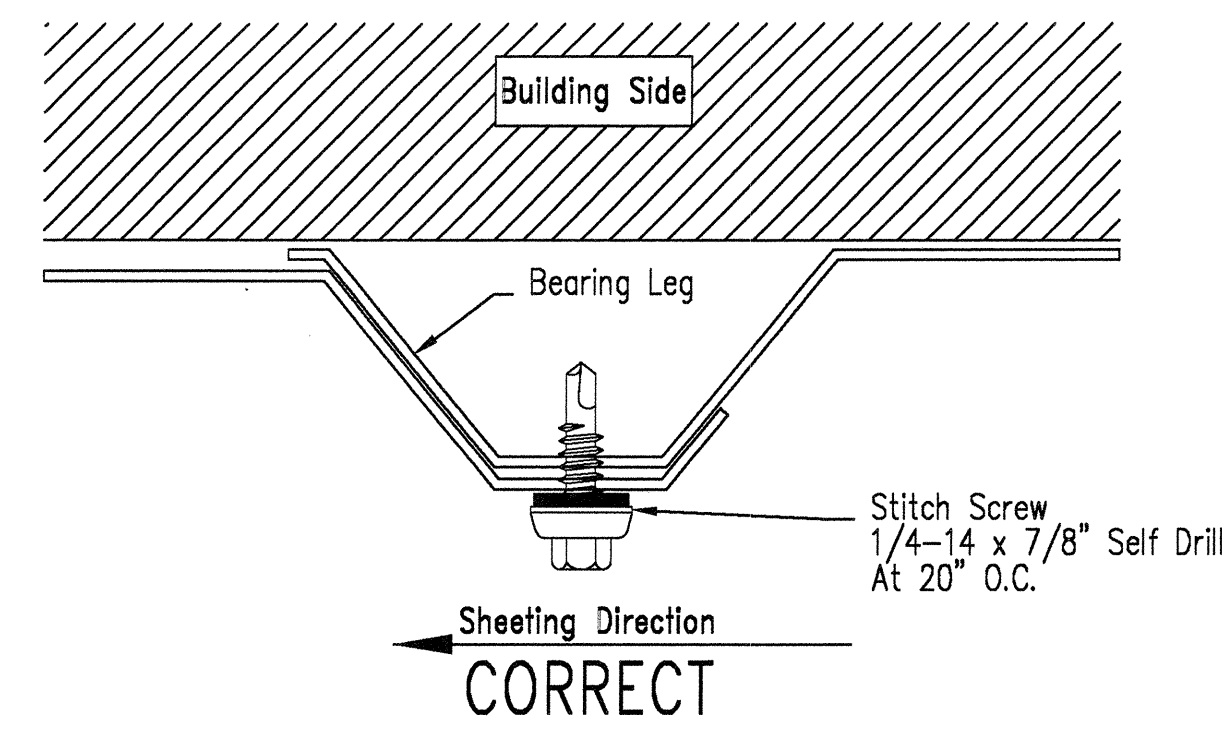


Gutter - Downspout Attachment Detail

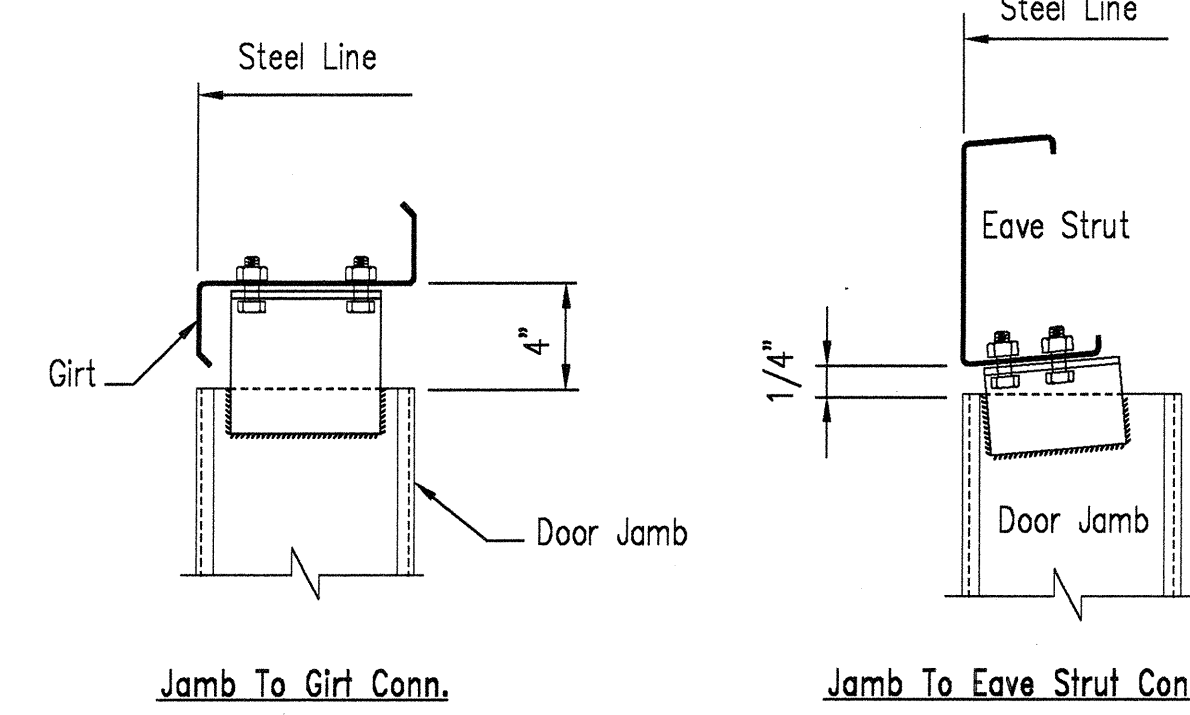
1. Refer to the building erection drawings for the location and spacing of the downspouts. If the spacing is not known, call customer service.
2. Locate all downspouts over a major rib if possible.
3. Make a cardboard template of the downspout shape. Place the template on the bottom of the gutter and trace the outline. Remove the template and draw a line from corner to corner, forming an "X" pattern.
4. Drill a hole at the center of the "X". Using tin snips, cut along the lines of the X only. Do not cut along the outside lines of the downspout square.
5. Bend each triangular tab down toward the ground, 90 degrees to the bottom of the gutter.
6. Position the top of the downspout under the gutter. Make sure all four gutter tabs are on the inside of the downspout.
7. Install (1) fastener #14, 1/8" x 3/16" Pop Rivet through the downspout into the gutter tabs. Only the two sides and the front of the downspout will receive fasteners.



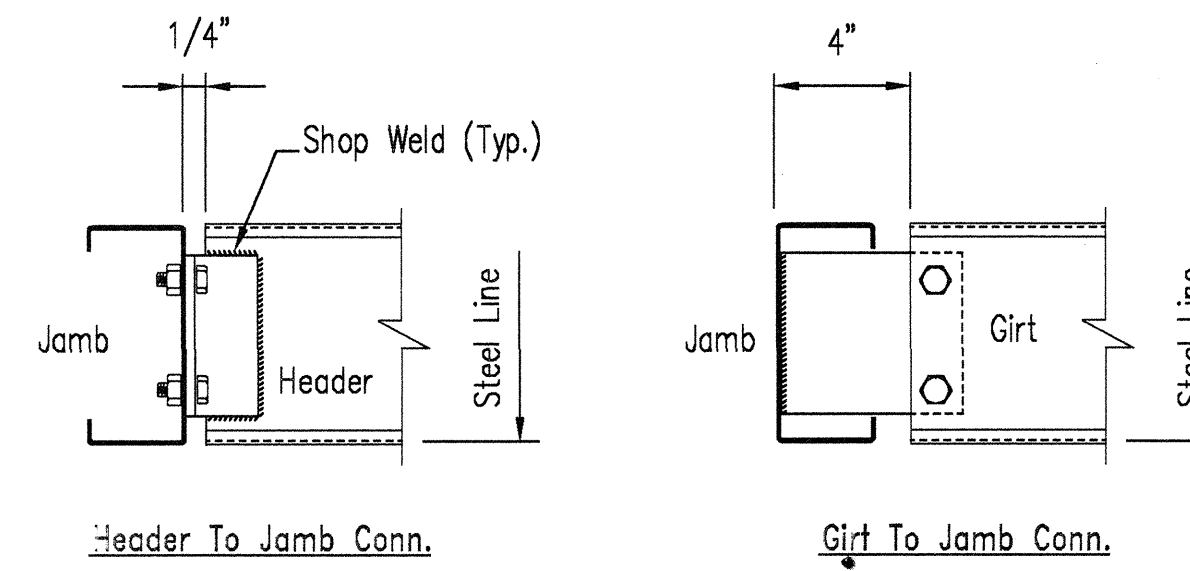
Standard Rake Section
Metallic - PBR Roof - Sheeted Wall



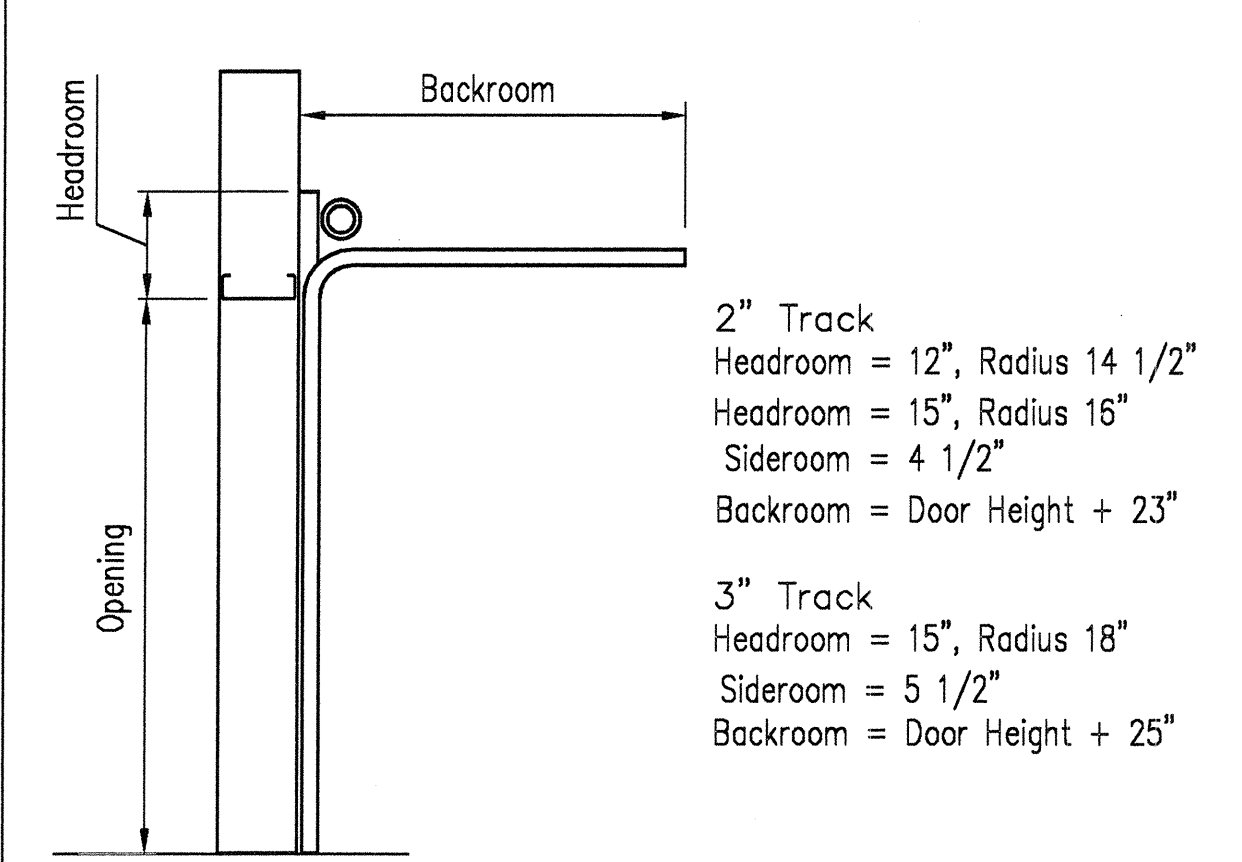
PBR Panel Side Lap



All connection bolts are 1/2" x 1" mach. bolts



Framed Opening with Welded Clips



Over Head Door Details
Standard Radius

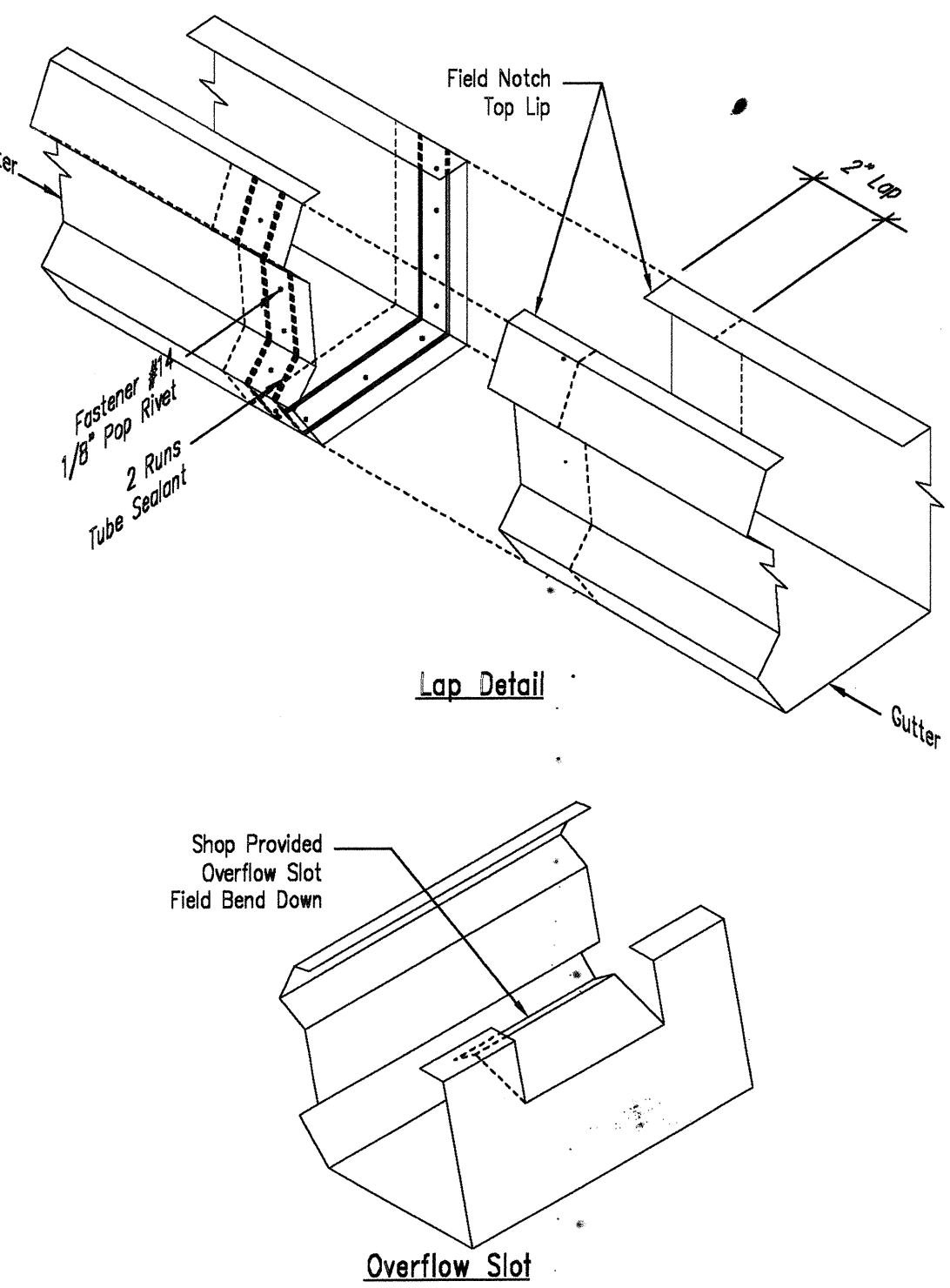
NS0009A

NS0011A

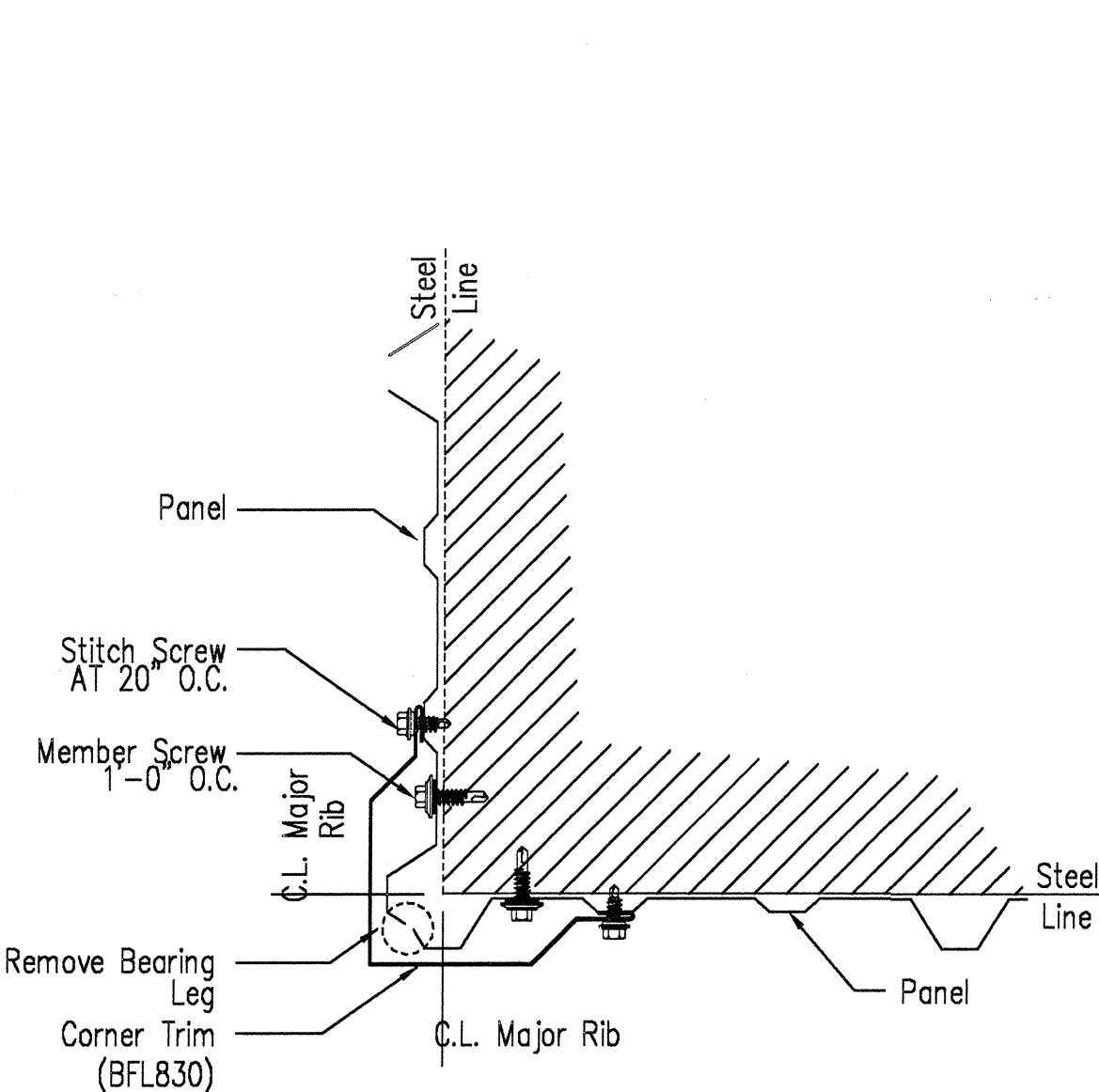
NS0016A

NS0017A

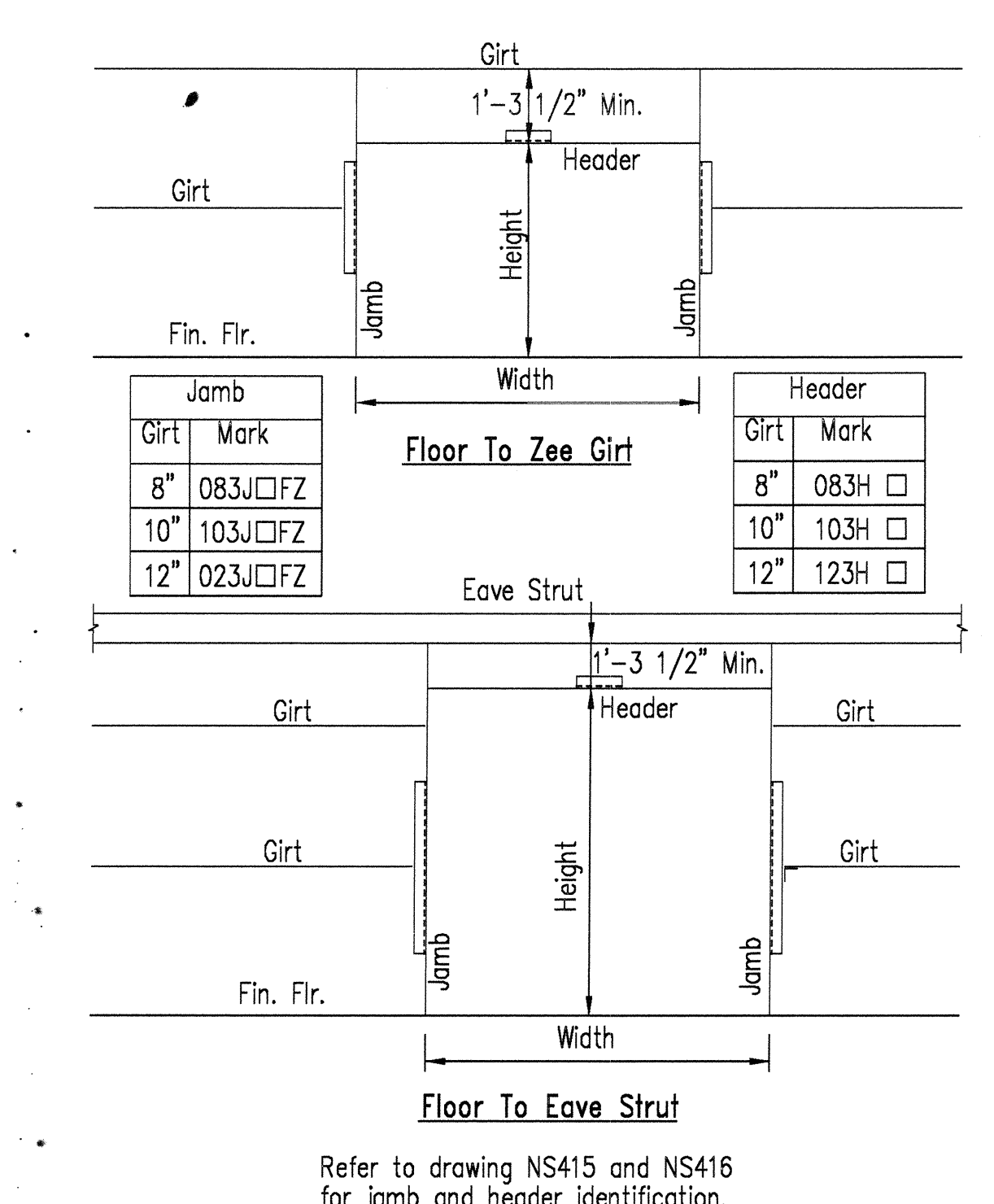
NS0021i



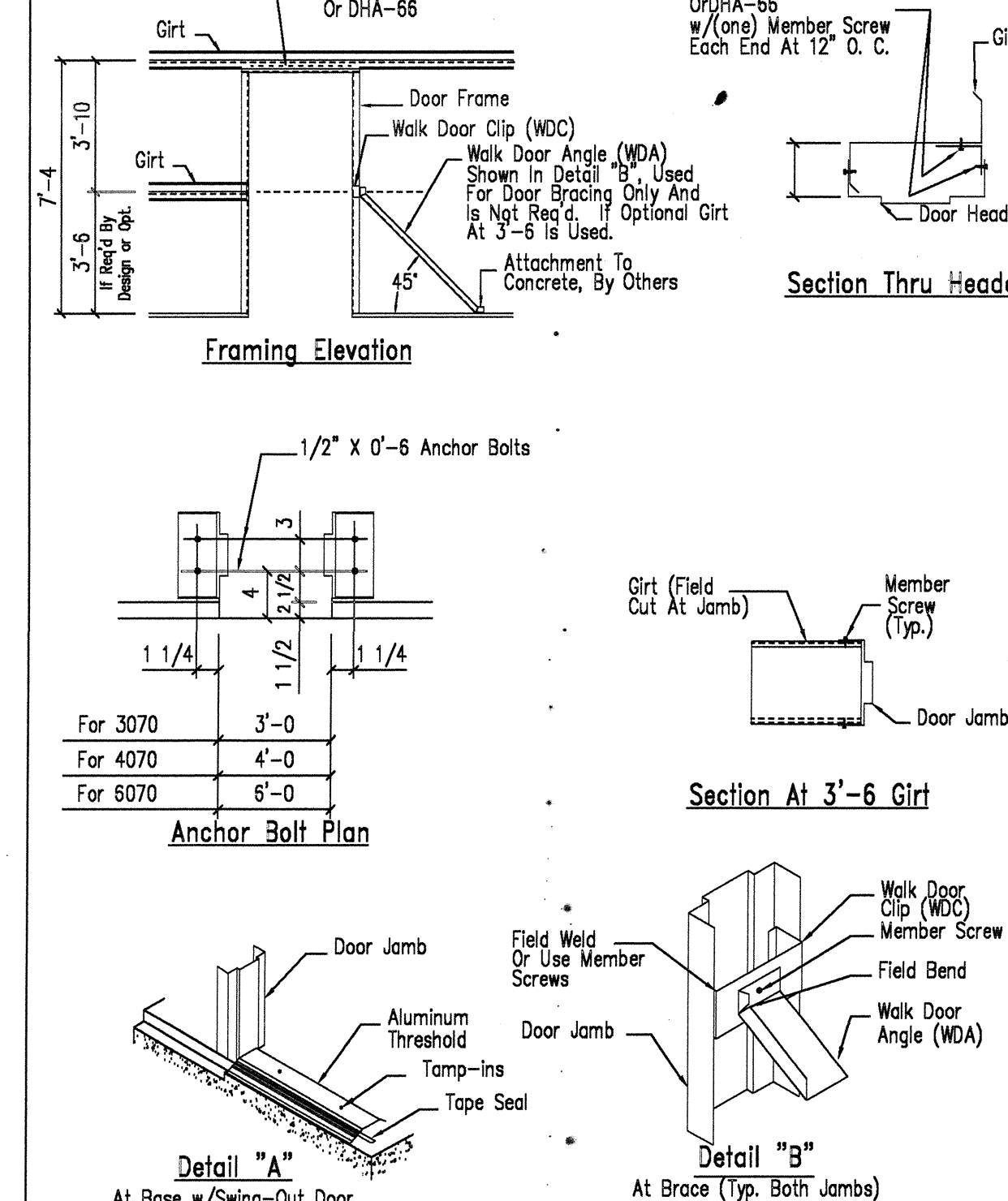
Gutter Lap Detail
(Metallic)



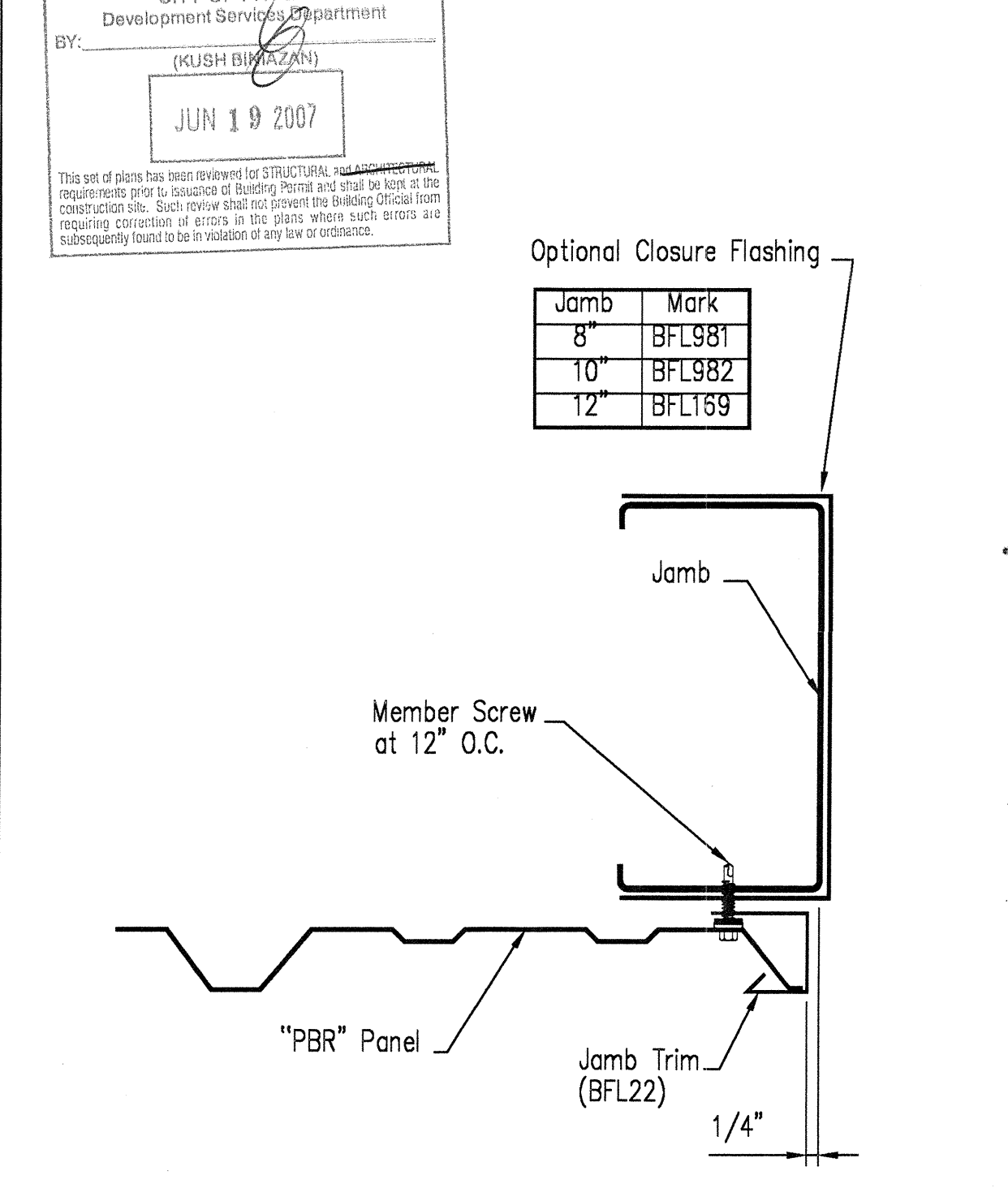
"PBR" Panel Outside Corner Trim



Framed Opening With Welded Clips



Personnel Doors (Walk Door Sections)
8", 10", 12" Girts



Framed Opening Jamb Trim Detail
"PBR" Panel

NS0010

NS0015

NS0017

NS0020

NS0022C

NOTE:
1. These drawings are intended to depict general installation of item(s) described above. Some item(s) may have been omitted for clarity of presentation. Consult your erection manual or additional S-Sheets for further guidelines and/or clarifications.
ATTENTION INSTALLER: In the event that a discrepancy or error arises with materials shipped for this project or these construction drawings, the installer must notify the manufacturer prior to correcting. If manufacturer is not notified, manufacturer will

REVISIONS				
NO.	DATE	DESCRIPTION	BY	CK'D
A	1/23/07			
B				
C				
D				

Standard Details

Customer: YELLOWNIFE BUILDING SYSTEMS						
End User: NATIONAL WATER WORKS						
Location: PHOENIX, AZ						
Det. By	Chk By	Date	Scale	Building ID	Job Number	Sheet Number
		1/23/07	N.T.S.	A	3505-233887	NS-2
						D