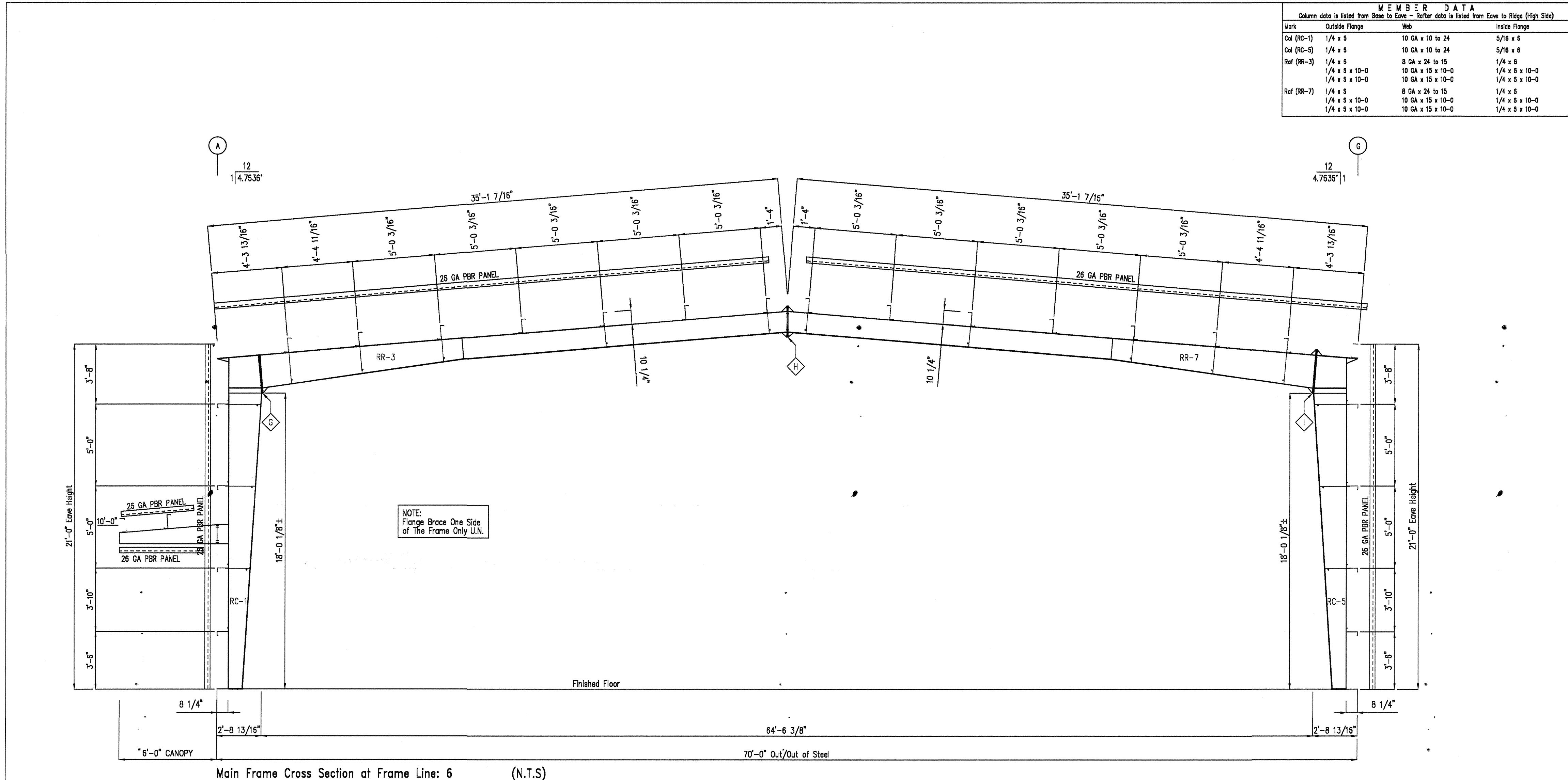
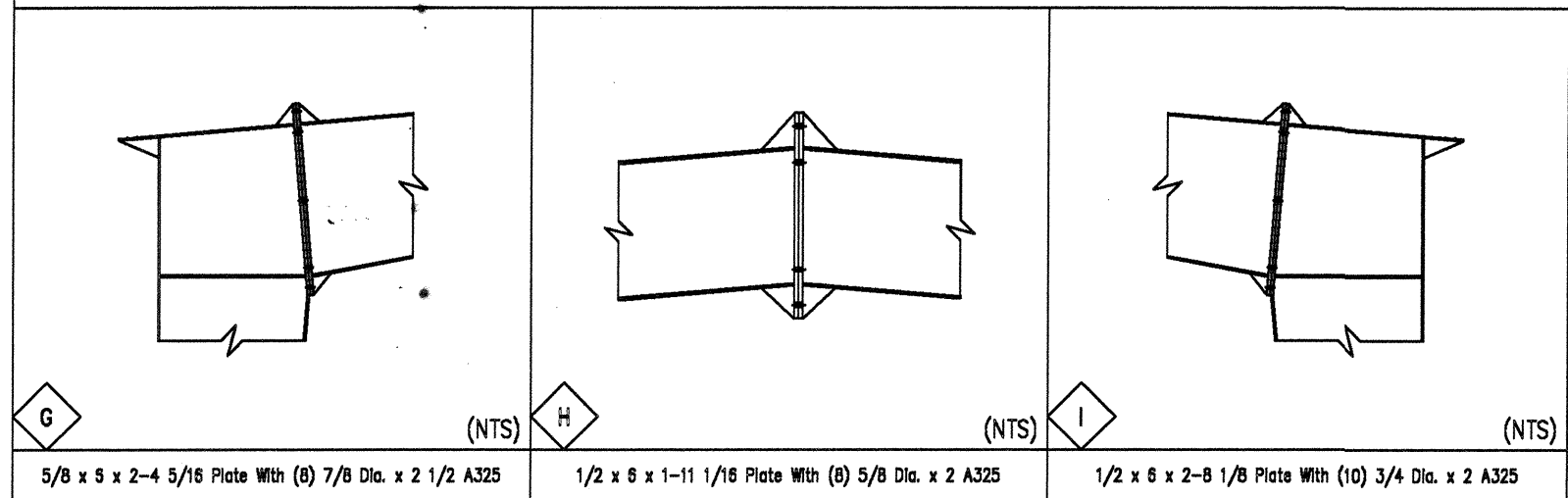


MEMBER DATA			
Column data is listed from Base to Eave - Rafter data is listed from Eave to Ridge (High Side)			
Work	Outside Flange	Web	Inside Flange
Col (RC-1)	1/4 x 5	10 GA x 10 to 24	5/16 x 6
Col (RC-5)	1/4 x 5	10 GA x 10 to 24	5/16 x 6
Raf (RR-3)	1/4 x 5	8 GA x 24 to 15	1/4 x 5
	1/4 x 5 x 10-0	10 GA x 15 x 10-0	1/4 x 5 x 10-0
	1/4 x 5 x 10-0	10 GA x 15 x 10-0	1/4 x 5 x 10-0
Raf (RR-7)	1/4 x 5	8 GA x 24 to 15	1/4 x 5
	1/4 x 5 x 10-0	10 GA x 15 x 10-0	1/4 x 5 x 10-0
	1/4 x 5 x 10-0	10 GA x 15 x 10-0	1/4 x 5 x 10-0



Main Frame Cross Section at Frame Line: 6 (N.T.S.)



DRAWING STATUS	
<input type="checkbox"/>	For Approval: These drawings, being For Approval, are by definition not final, and are for conceptual representation only. Their purpose is to confirm proper interpretation of the project documents. Only drawings issued "For Erector Installation" can be considered as complete.
<input type="checkbox"/>	For Construction Permit:
<input type="checkbox"/>	For Erector Installation:

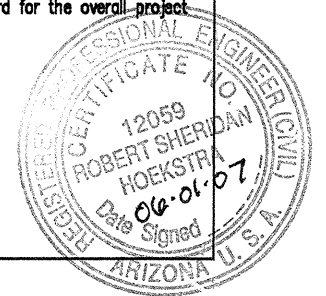
ISSUE	DATE	DESCRIPTION	BY	CHKD
A	1/23/07		JAC	BB
B	3/5/07		JAC	BB
C			DGW	BB
D			DGW	BB

METALLO **metallic building company**
 7301 FARMVIEW, HOUSTON, TEXAS, P.O. BOX 40338
 ZIP 77041 (713) 466-7788 ZIP 77240

Customer: YELLOWKNIFE BUILDING SYSTEMS Owner: NATIONAL WATER WORKS
 Location: PHOENIX, AZ

CAD Date Scale Phase Building ID Job Number Sheet Number Issue
 1/4" = 1'-0" -- A 3505-233887 E7 OF B D

The engineer whose seal appears hereon is not the engineer of record for the overall project.



CITY OF PHOENIX
 Development Services Department
 BY: (KUSH BUSHMAN)
 JUN 19 2007

This set of plans has been reviewed for STRUCTURAL compliance with the City of Phoenix Building Department and shall be kept at the construction site. Each new sheet must prevent the Building Official from requiring correction of errors in the plans which such errors are subsequently found to be in violation of any law or ordinance.