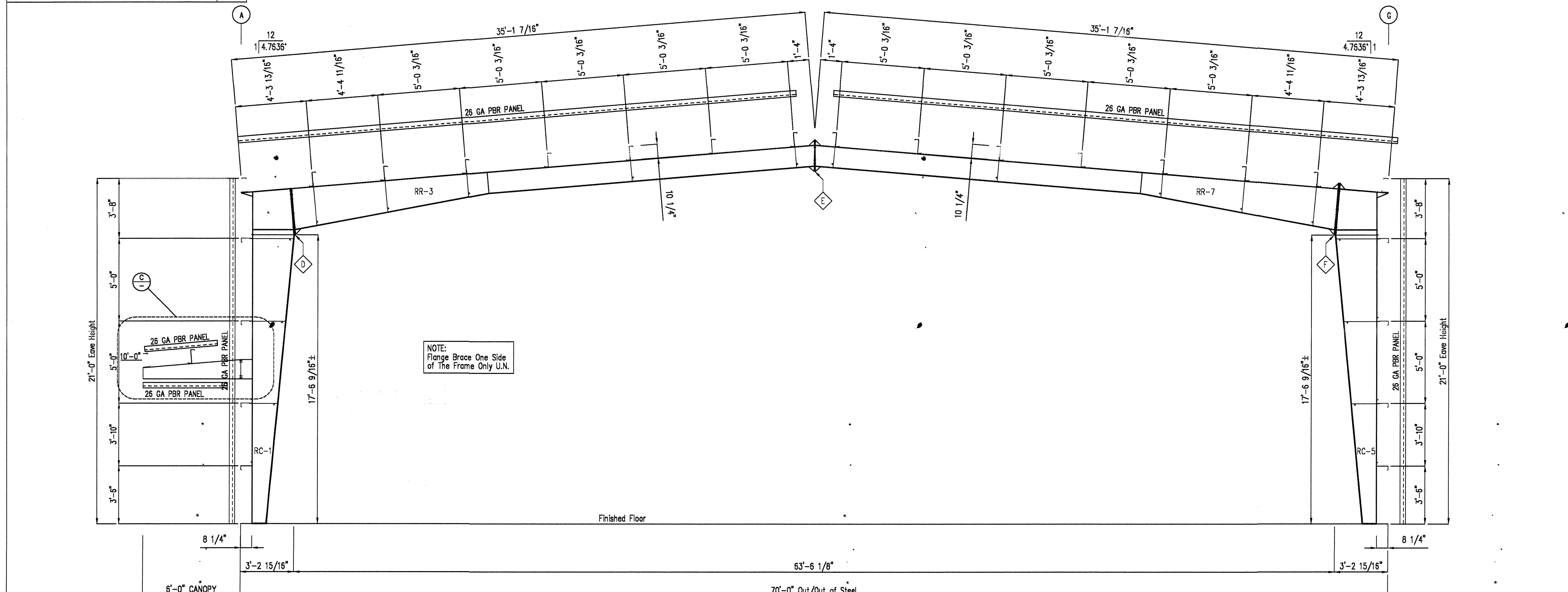


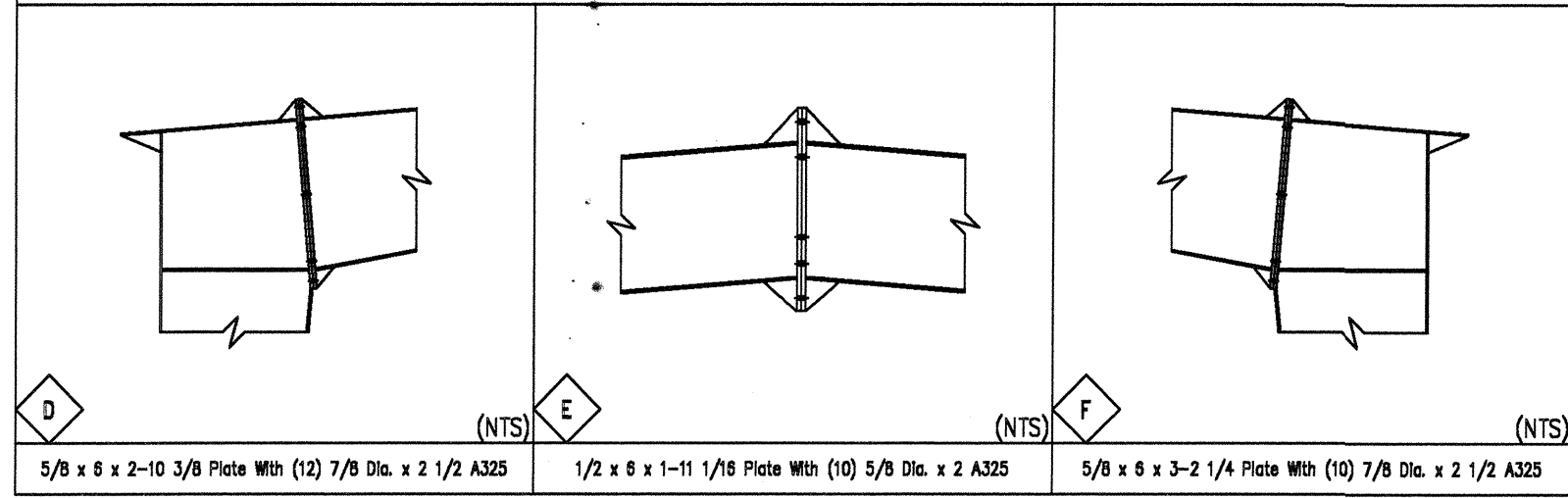
CANOPY DETAIL (NTS)

MEMBER DATA			
Mark	Outside Flange	Web	Inside Flange
Col (RC-1)	5/16 x 6	8 GA x 10 to 30	3/8 x 6
Col (RC-5)	5/16 x 6	8 GA x 10 to 30	3/8 x 6
Ref (RR-3)	1/4 x 8	10 GA x 15 x 10-0	1/4 x 8 x 10-0
Ref (RR-7)	1/4 x 8	10 GA x 15 x 10-0	1/4 x 8 x 10-0
	5/16 x 6 x 10-0	10 GA x 15 x 10-0	5/16 x 6
	1/4 x 8 x 10-0	10 GA x 15 x 10-0	1/4 x 8 x 10-0
	5/16 x 6 x 10-0	10 GA x 15 x 10-0	1/4 x 8 x 10-0



Main Frame Cross Section at Frame Lines: 4 & 5 (N.T.S)

NOTE: Flange Brace One Side of The Frame Only U.N.



DRAWING STATUS	
<input type="checkbox"/>	For Approval: These drawings, being For Approval, are by definition not final, and are for conceptual representation only. Their purpose is to confirm proper interpretation of the project documents. Only drawings issued "For Erector Installation" can be considered as complete.
<input type="checkbox"/>	For Construction Permit:
<input type="checkbox"/>	For Erector Installation:

ISSUE	DATE	DESCRIPTION	BY	CHKD
A	1/23/07		JAC	BB
B	3/6/07		JAC	BB
C			DGW	BH
D			DGW	BB

METALLIC metallic building company
 7301 FAIRVIEW, HOUSTON, TEXAS, P.O. BOX 40338
 ZIP 77041 (713) 466-7788 ZIP 77240

Project: FRAME CROSS SECTION
 Customer: YELLOWKNIFE BUILDING SYSTEMS Owner: NATIONAL WATER WORKS
 Location: PHOENIX, AZ

CAD Date Scale Phase Building ID Job Number Sheet Number Issue
 1/4" = 1'-0" A 3505-233887 E6 OF 8 D

The engineer whose seal appears hereon is not the engineer of record for the overall project.

CITY OF PHOENIX
 Development Services Department
 BY: (KUSH BISHOP)
 JUN 19 2007

This set of plans has been reviewed for STRUCTURAL requirements prior to issuance of Building Permits and shall be kept at this construction site. Such review shall not prevent the Building Official from requiring correction of errors in the plans where such errors are subsequently found to be in violation of any law or ordinance.