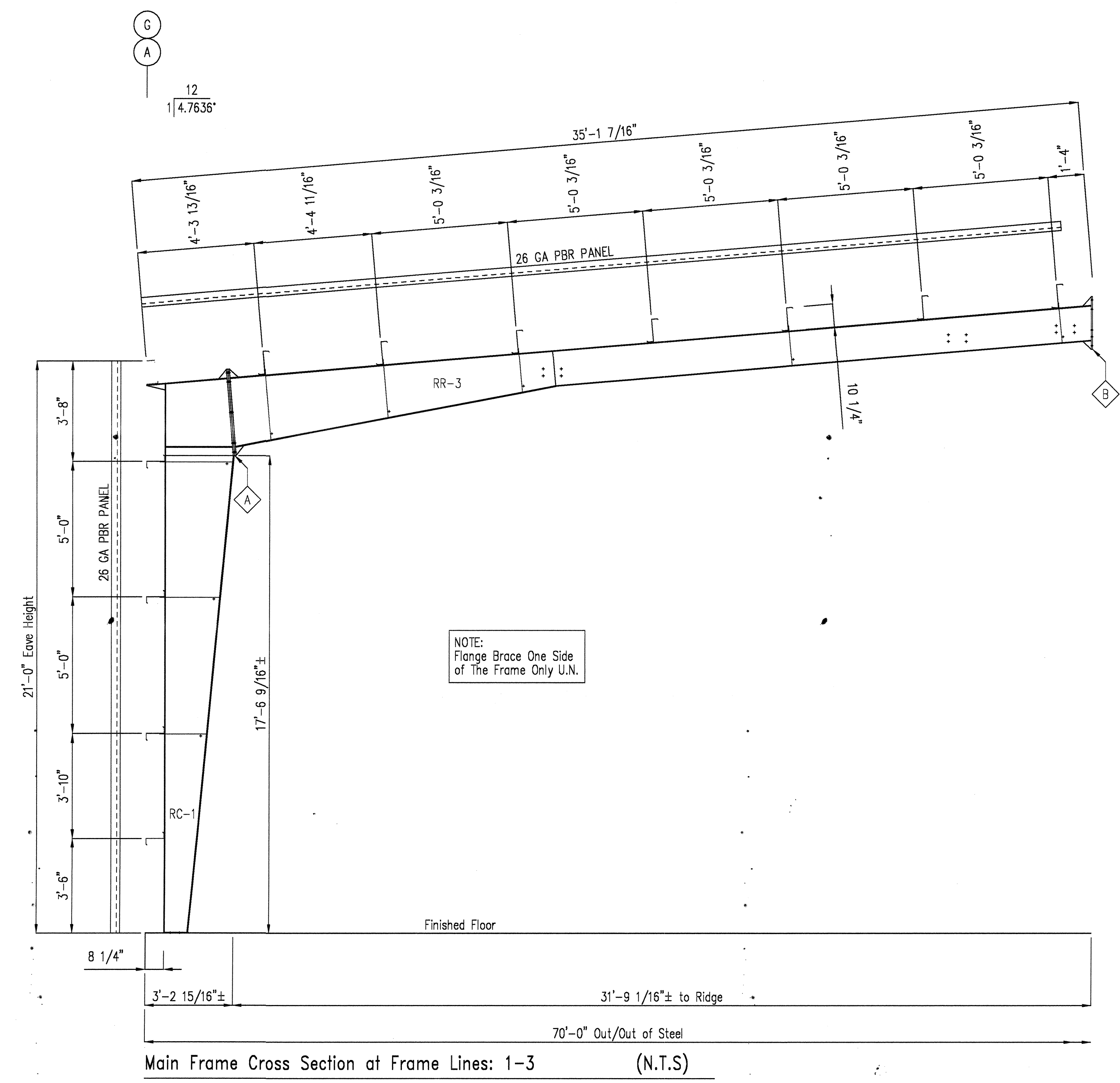
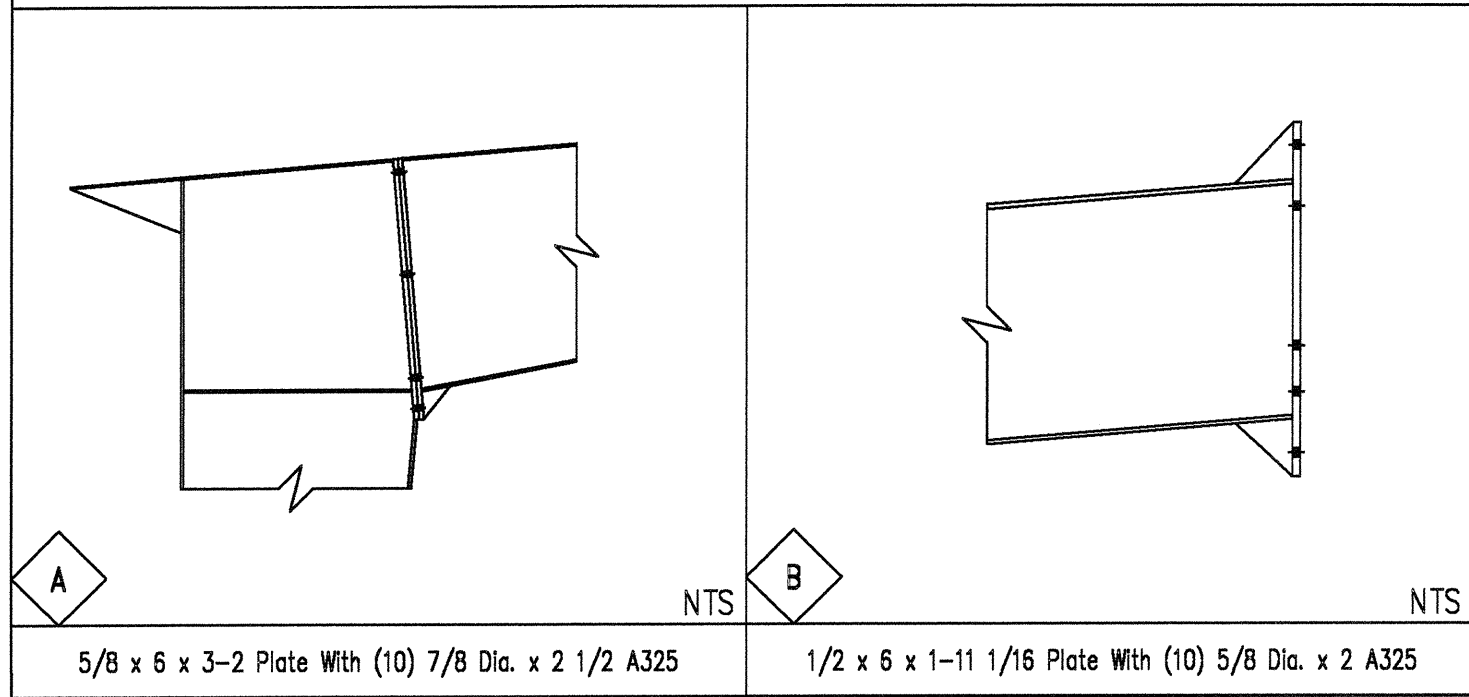


MEMBER DATA			
Column data is listed from Base to Eave - Rafter data is listed from Eave to Ridge (High Side)			
Mark	Outside Flange	Web	Inside Flange
Col (RC-1)	5/16 x 6	8 GA x 10 to 30	3/8 x 6
Raf (RR-3)	1/4 x 6	3/16 x 30 to 15	5/16 x 6
	1/4 x 6 x 10-0	10 GA x 15 x 10-0	1/4 x 6 x 10-0
	5/16 x 6 x 10-0	10 GA x 15 x 10-0	1/4 x 6 x 10-0



CITY OF PHOENIX
Development Services Department
BY: (KUSH DUKAZAN)
JUN 19 2007
This set of plans has been reviewed for STRUCTURAL use in accordance with the requirements prior to issuance of Building Permit and shall be held at the construction site. Each member shall not prevent the Building Dept from requiring correction of errors on the plans, where such errors are subsequently found to be in violation of any law or ordinance.



DRAWING STATUS	
<input type="checkbox"/> For Approval:	These drawings, being For Approval, are by definition not final, and are for conceptual representation only. Their purpose is to confirm proper interpretation of the project documents. Only drawings issued "For Erector Installation" can be considered as complete.
<input type="checkbox"/> For Construction Permit:	
<input type="checkbox"/> For Erector Installation:	

ISSUE	DATE	DESCRIPTION	BY	CK'D
A	1/23/07		JAC	BB
B	3/5/07		JAC	BB
C			DGW	BB
D			DGW	BB

METALBUILD metallic building company
7301 FAIRVIEW, HOUSTON, TEXAS, P.O. BOX 40338
ZIP 77041 (713) 466-7788 ZIP 77240

Project: FRAME CROSS SECTION
Customer: YELLOWNIFE BUILDING SYSTEMS Owner: NATIONAL WATER WORKS
Location: PHOENIX, AZ

CAD	Date	Scale	Phase	Building ID	Job Number	Sheet Number	Issue
		3/8" = 1'-0"	-	A	3505-233887	E5 OF 8	D

The engineer whose seal appears hereon is not the engineer of record for the overall project.