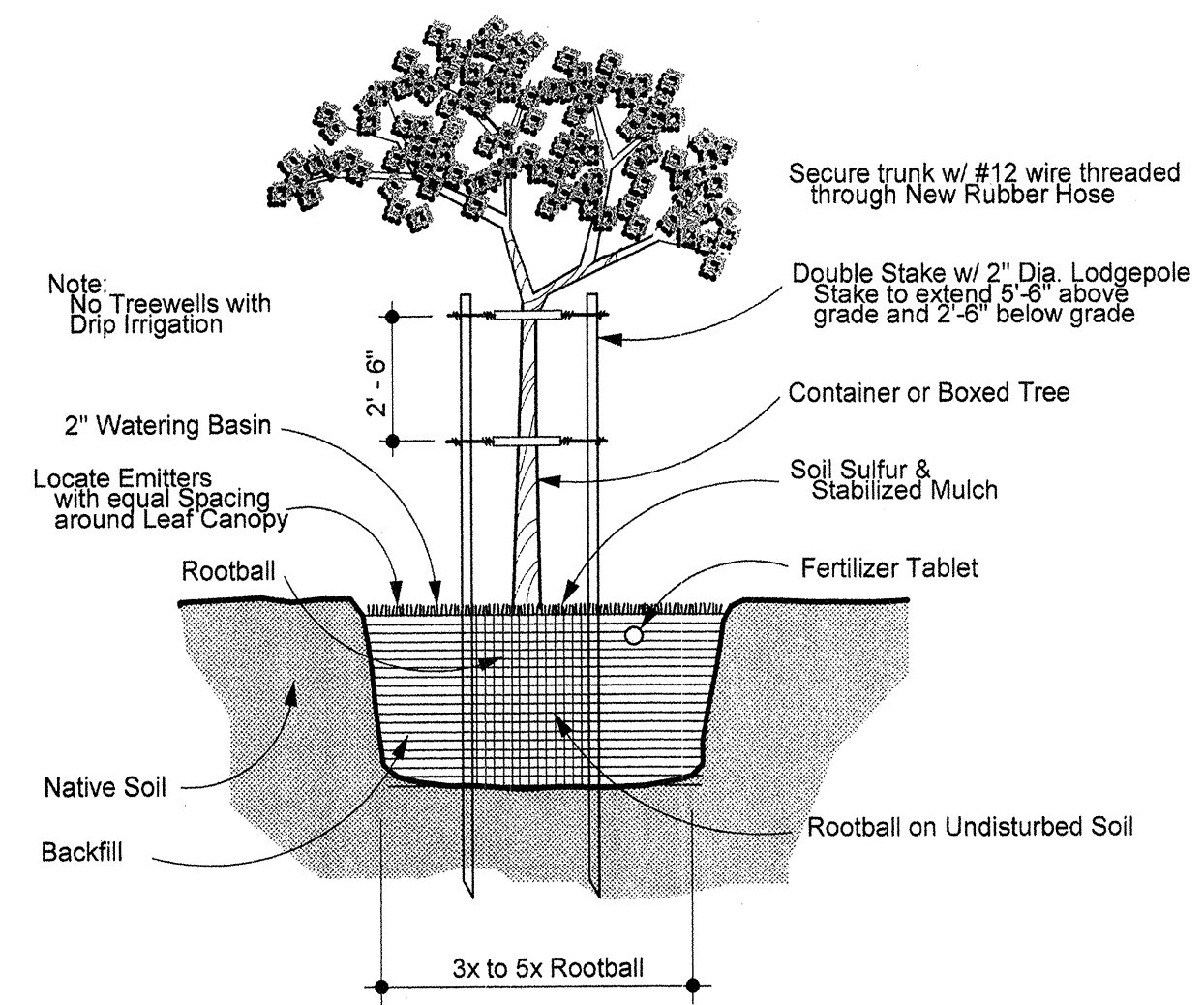


5 Gallon Container Plant



Container or Boxed Tree

Planting Notes

1. Finish grade of Planting Beds to be 1-1/2" below adjacent paving.
2. Finish Grading to be completed prior to the start of Plant Installation.
3. Boxed Trees to be planted prior to container or bedding plants.
4. Soil Excavations to be coordinated with Utilities and Other Trades.
5. Contractor to locate Underground Construction and Utilities prior to Soil Excavation.
6. Contractor to coordinate installation of Irrigation and Lighting Sleeving prior to placement of Paving.
7. Unwanted Bermuda Grass and other weeds to be eliminated by treating area with a non-selective herbicide (such as 'Round-Up') as per manufacturer's instructions.
8. Areas designated to receive Granite are to be covered with 2" of coarse grain (3/4" minus) Decomposed Granite. Color to be 'Desert Gold'.
9. Plants are to be purchased by their Botanical Names. They are to be representative of their species and in vigorous growing condition.
10. Locate Plants away from Permanent Fixtures (lights, sprinkler heads, headers, etc.) to allow space for mature growth.
11. Contractor to be responsible for installation of all Plants shown on Plans. Quantities given on the Plant Schedule are for the Contractor's convenience only.
12. Backfill Planting Pits of Shrubs and Ground Covers with a mixture of two (2) parts Top Soil and one (1) part Organic Mulch. Do not use Mulch for Backfill of Native Trees.
13. Owner to have the right to refuse Plant Material.
14. Fertilize Planting Pits with a time release capsule (i.e. 'Agriform Tablets') at the following rates:
1 gal-1 tablet, 5 gal-2 tablets, 15 gal-3 tablets, Boxed Trees-4 tablets
15. Trees are to be guaranteed for a period of one year. Shrubs and Other Plants are to be guaranteed for a period of ninety (90) days after acceptance by the Owner. If it is necessary to replace plants, a new guarantee period will apply to the replaced plants.
16. The Irrigation System (materials and labor) is to be guaranteed for a period of one year.
17. Contractor to maintain Project for 30 days after installation or until other arrangements for maintenance have been made with the Owner (whichever comes first).

Planting Details

Irrigation Notes:

- Sleeving**
1. Provide Sleeves a minimum of twice the Diameter of the Mainline or Lateral which it carries.
 2. No Fittings on Mainline or Laterals to be closer than 10' to Ends of Sleeves.
 3. Valve Wiring to be in separate Sleeve.
 4. Each Sleeve to carry only one (1) Pipe.
 5. Sleeve all Drives, Walks, Walls and Footings.
- Piping**
7. All Piping (Mainline and Laterals) to be PVC - see Legend.
 8. Locate all Valves, Wiring and Piping away from Tree Root Zones. Allow for Projected Growth.
 9. Locate Piping along Curbing and Walks where possible.
 10. PVC Lines as Drawn are diagrammatic. Locate Piping 6-ft. from tree plantings typical.
 11. Mainline to be installed at consistent 24" depth.
 12. Laterals to be installed at consistent 12" depth.

Valve Boxes

13. One Drip Valve Assembly per 12" Standard Valve Box.
14. All Valve Boxes must have a minimum of 12" depth Pea Gravel. Valve Boxes must rest on Pea Gravel only (not PVC lines). Valve Boxes are not to be cut or altered.

Trenching

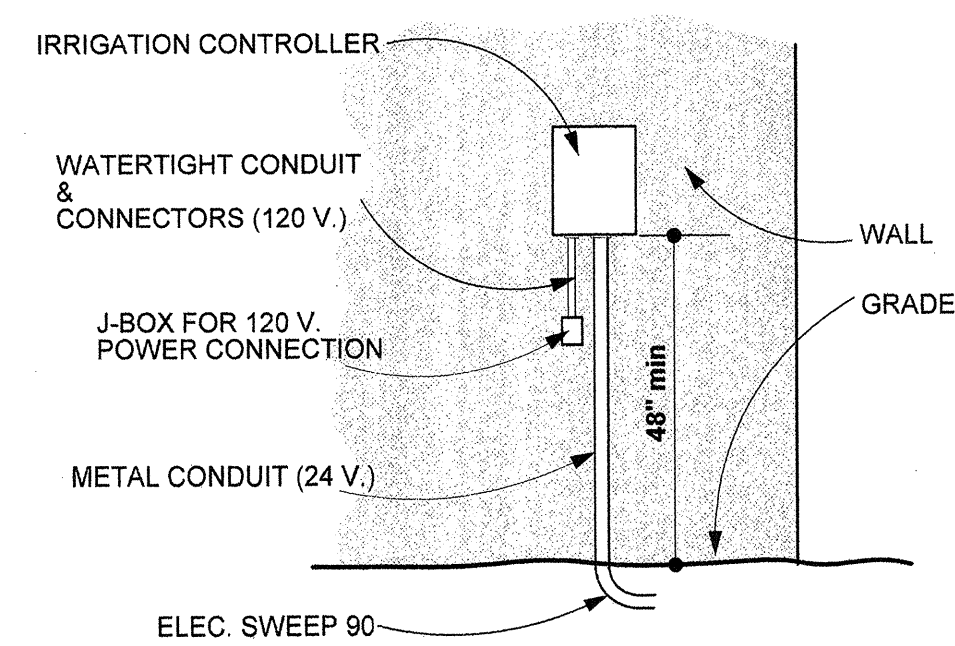
15. Trenches that contain more than one Pipe must be wide enough to allow 2"-3" of Fill between Lines. Piping is not to cross except where teeing-off is required and the 2"-3" spacing is to be maintained.
16. All Trenches are to be water settled. Rocks larger than 1/2" diameter, trash or other debris are not acceptable in backfill.

Connections

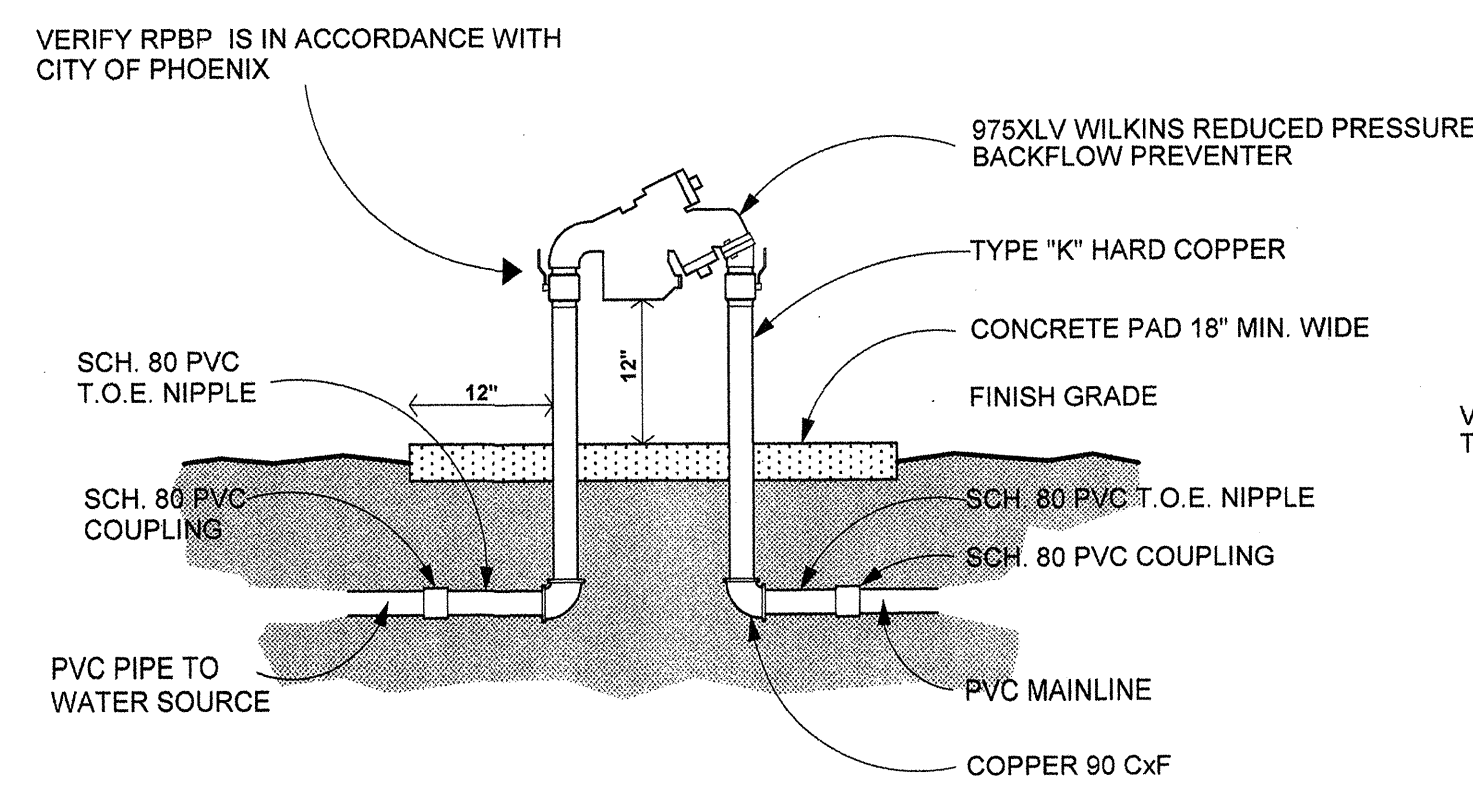
17. All Solvent Weld Joints are to be accomplished according manufacturer's requirements. Joints must be wiped clean leaving no Bead.
18. All Wiring to be 14-gauge UF UL. Use Red wire for Control and White for Common Wiring.
19. Use continuous Wire runs from Valves to Controller. Connection @ Valves to be King Bros. KWC-100 Connectors only.

Distribution Tubing

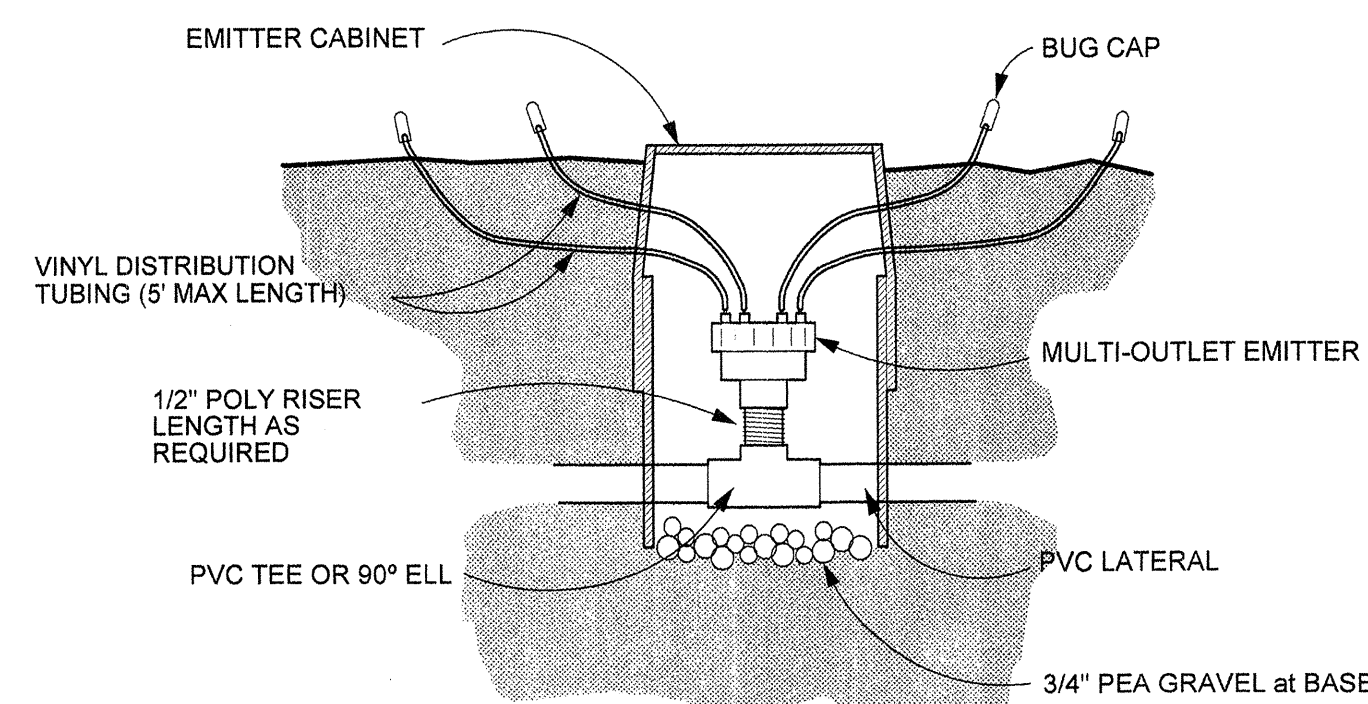
20. Use P-250 1/4" Vinyl Distribution Tubing only and provide 'Bug Caps' @ emission points. Expose no more than 2" of Distribution Tubing @ emission point for future inspection of System Function. Do not extend Distribution Tubing more than 5' from Emitter.
21. For Trees - place Emission Points of Emitter @ Drip Line of Tree (away from tree trunk).
One 2 GPH Multi-outlet per Tree (use 4 Drip Outlets per Tree)
For Shrubs - place Emission Point of Emitter approximately 12" from Stem of Shrub.
One 1 GPH Multi-outlet per 1-6 Shrubs. (use 1 Drip Outlet per Shrub)
For Ground Covers & Accents - place Emission Point of Emitter approximately 12" from Stem of Plant. One 1/2 GPH Multi-outlet per 1-6 Plants. (use 1 Drip Outlet per Plant)
DO NOT add 'Tees' to distribution tubing. Add Emitters as required. Where Shrubs lie under Trees, do not provide emitters for shrubs if area is serviced by Tree Emitters.



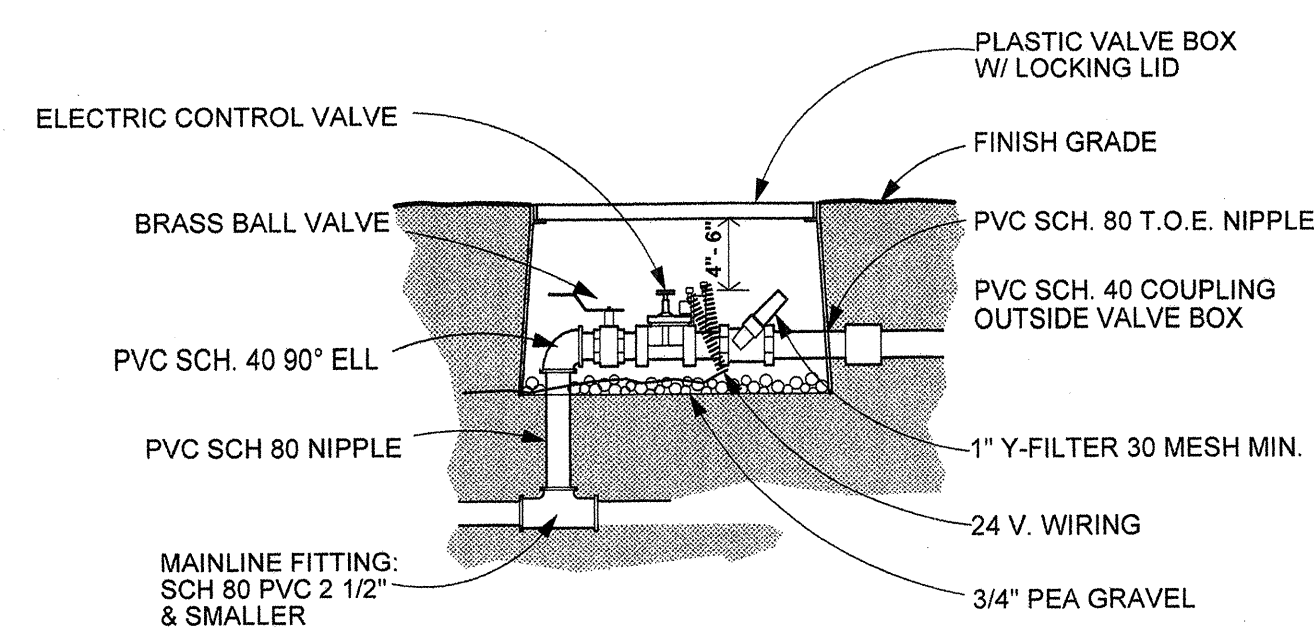
Controller Detail
NTS



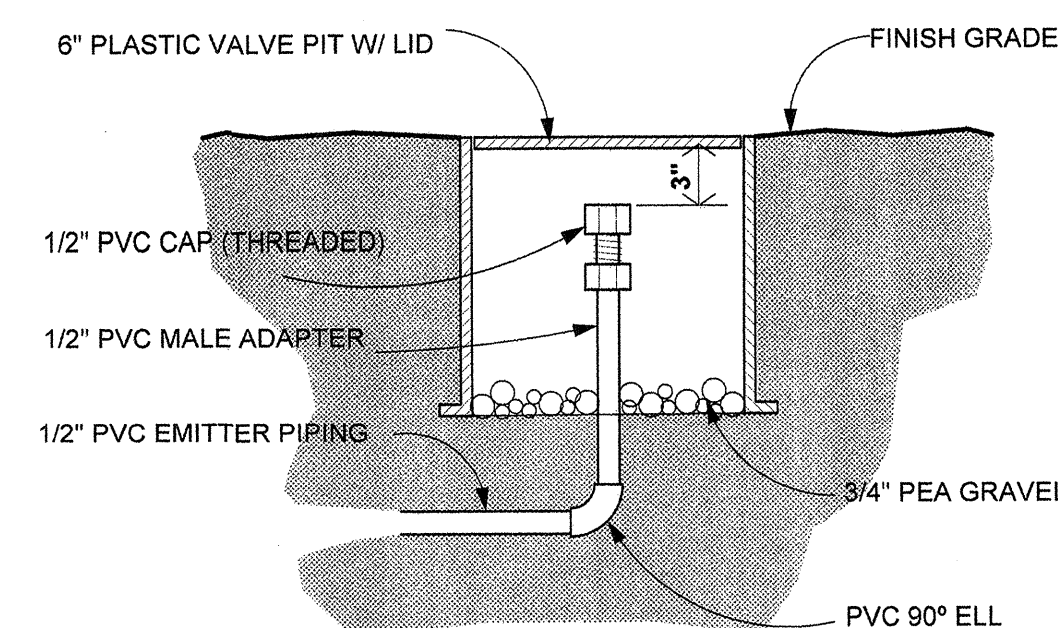
Reduced Pressure Backflow Preventer
NTS



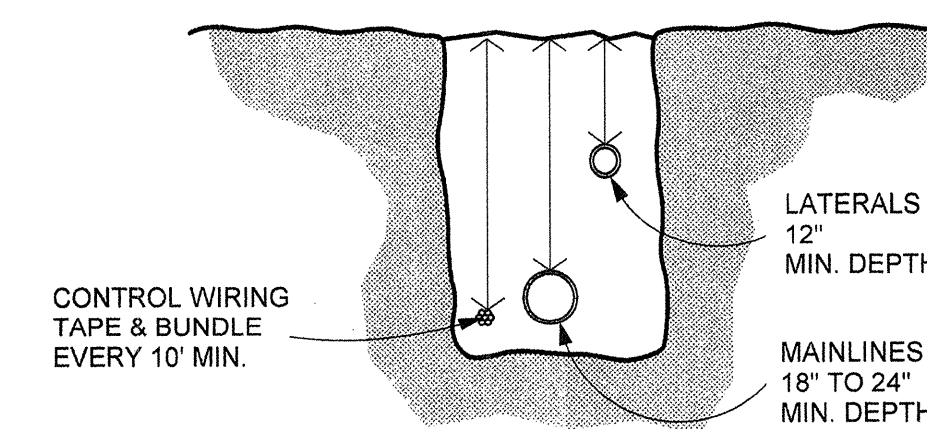
Multi-outlet Emitter
NTS



Control Valve
NTS



Flushing End Cap
NTS



Trenching Detail
N.T.S.

Irrigation Details

DB
2/27/07
S1490 NO. 001/1000
09/15

2/27/07
S1490 NO. 001/1000
09/15



Planting / Irrigation Details
National Water Works

North Phoenix Branch #NWW5257
2140 West Williams Drive
Phoenix Arizona
Prepared for Yellowknife Building Systems
Contact Tom Porter 480-734-3457

(of 3)
Q.S.# 44-24
KIVA #: 06-4203
PAPP #: 0604020