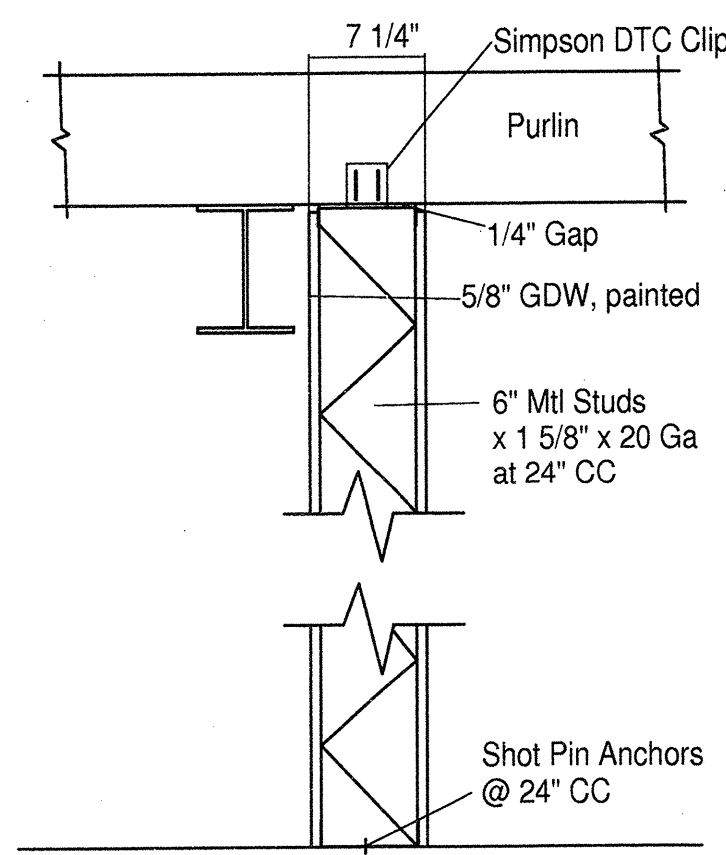
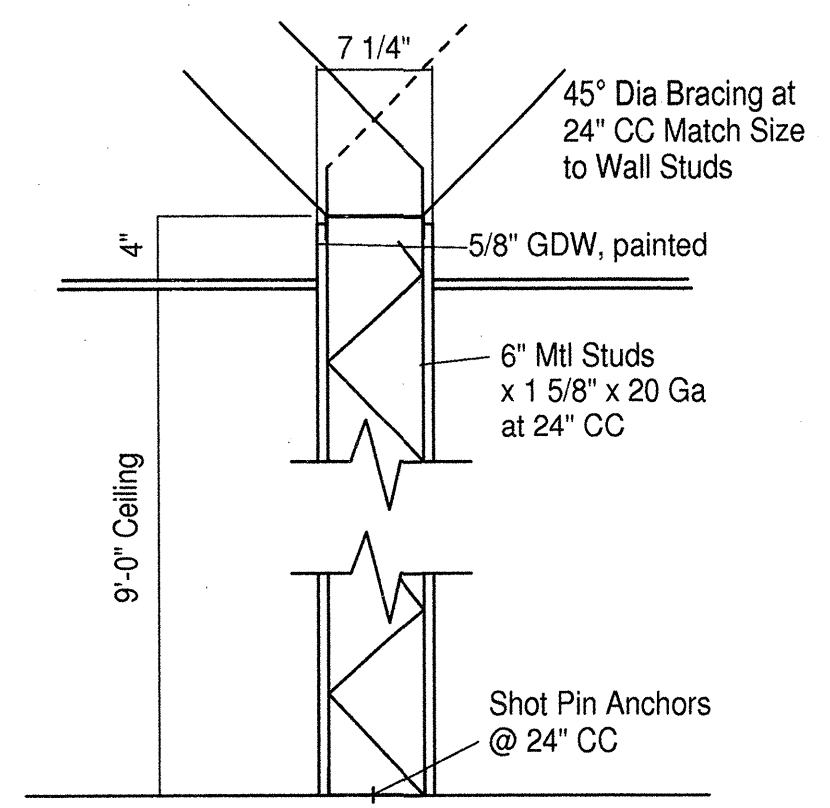


FLOOR PLAN

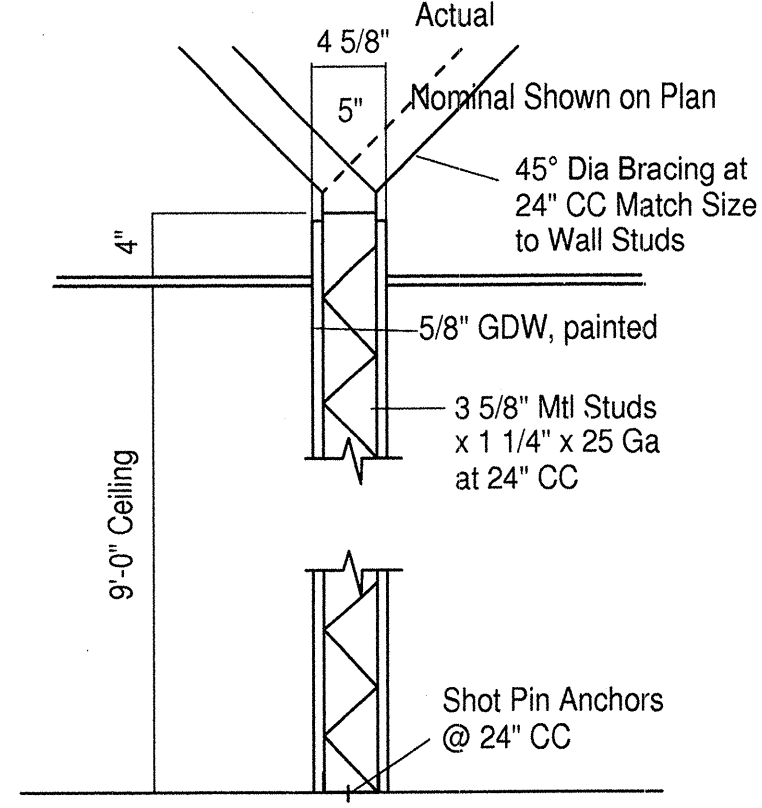
Note:
 Wall Type P-2 used for Bathroom Partitions
 Wall Type P-3 used for other Partitions UNO
 See Architect's Drawings for partition locations



Partition Type P-1
 No Scale

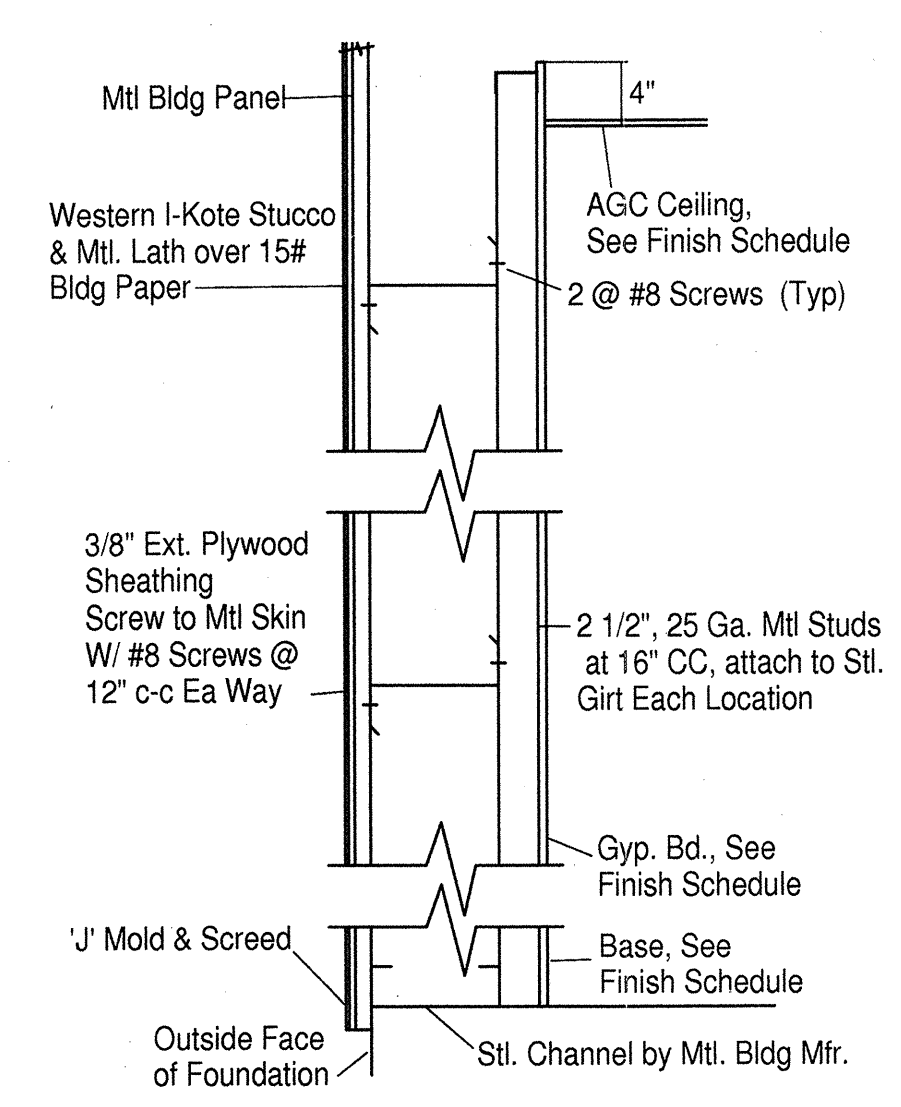


Partition Type P-2
 No Scale

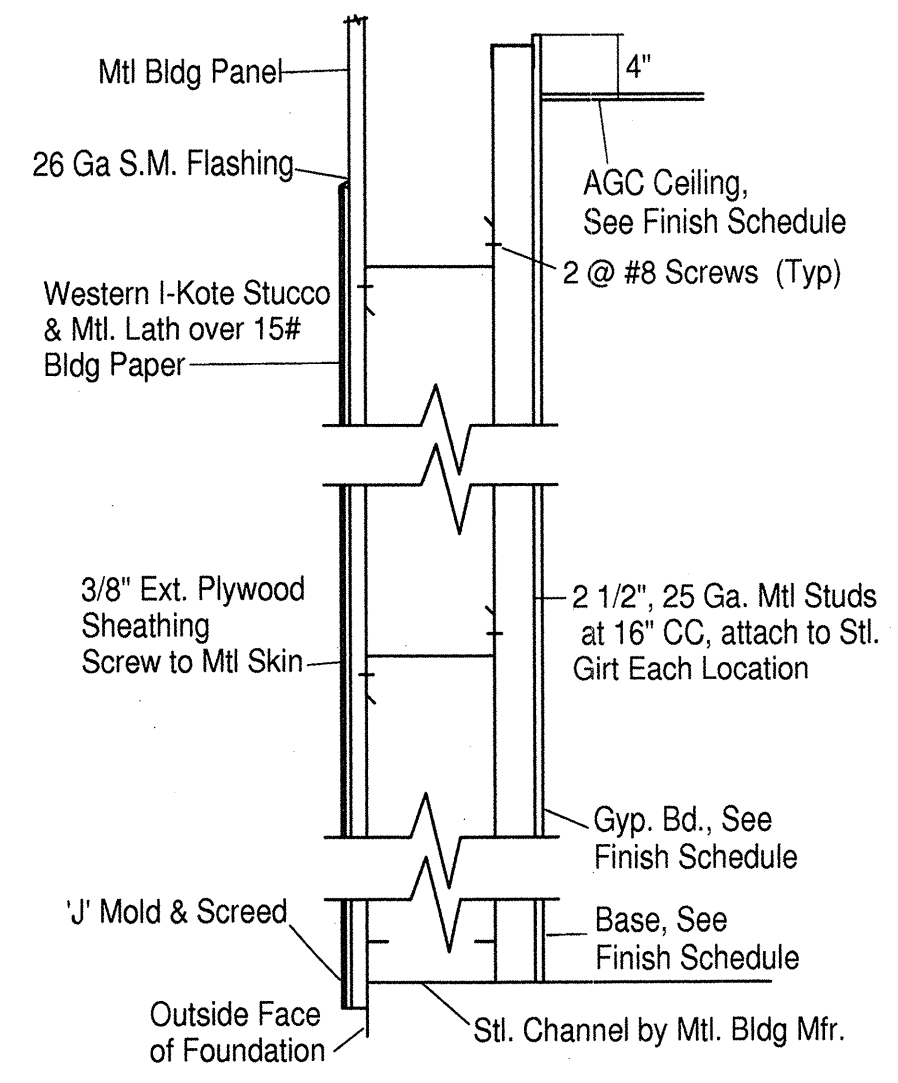


Partition Type P-3
 No Scale

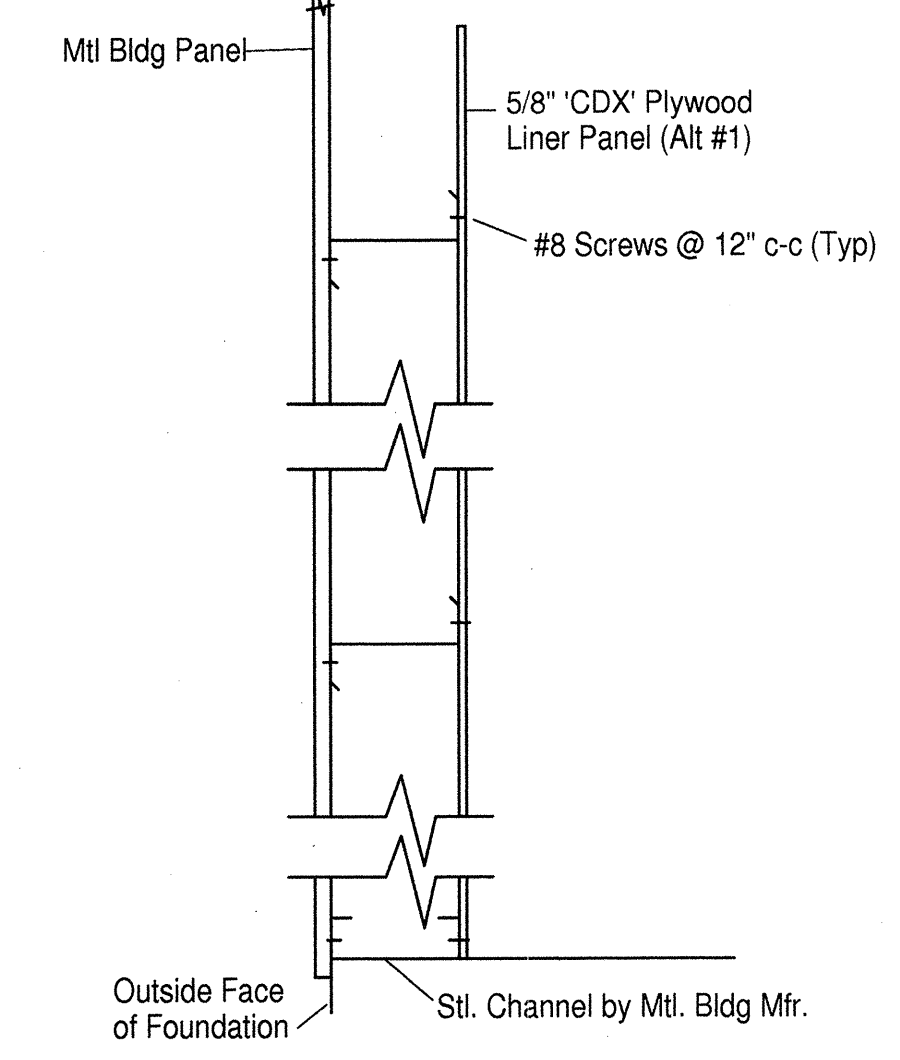
INTERIOR WALL NOTES:
 Sheet Walls with 5/8" Gypsum wallboard
 Both Sides UNO. Use #8 Screws for Steel
 Stud Framing and #6 Screws for Drywall
 Attachment. Space Screws at 7" c-c Max
 all Supports. Use Track Channels 18 Ga
 minimum Thickness. Use #8 Screws in
 lieu of 8d nails in Simpson DTC clips at
 Purlins.



Wall Type W1
 No Scale



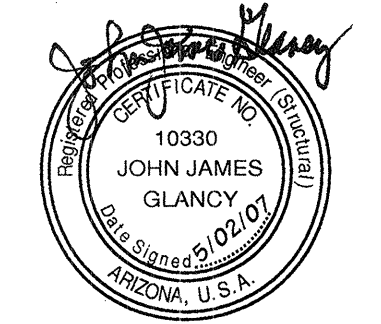
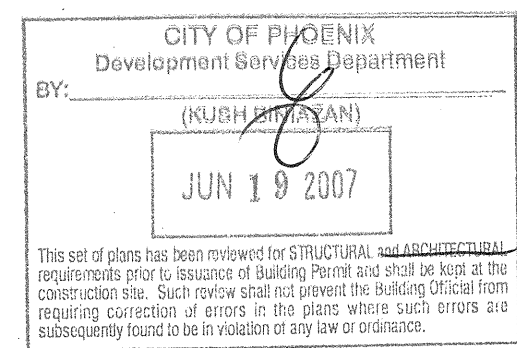
Wall Type W2
 No Scale



Wall Type W3
 No Scale

GENERAL NOTES:
 2003 IBC Code
 Seismic Category B
 Wind Zone - 90 mph Exp 'C'
 Foundation Loads Per
 Metallic Building Drawings
 Live Load - 20 psf (Reducible)
 Dead Load - 3 psf Roof
 Coll. Load - 1 psf Roof
 Misc Steel - A36 (Fy = 36 ksi)
 Anchors - A307 Bolts
 Metal Studs per SSMA

Note: See Architect's Drawings
 for partition locations, Room
 Finish Schedule, and any
 dimensions not shown.



YELLOWKNIFE
 70' X 150' BUILDING WALLS
 PHOENIX, AZ

SHEET S1