

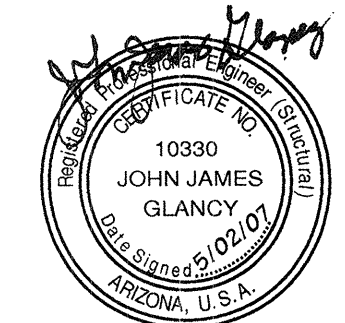
**GENERAL NOTES:**  
 2003 IBC Code  
 Seismic Category B  
 Wind Zone - 90 mph Exp 'C'  
 Foundation Loads Per  
 Metallic Building Drawings  
 Live Load - 20 psf (Reducible)  
 Dead Load - 3 psf Roof  
 Coll. Load - 1 psf Roof  
 Misc Steel - A36 (Fy = 36 ksi)  
 Anchors - A307 Bolts  
 Reinforcing - A615-Gr 60  
 (Gr 40 OK #3 & #4)  
 Concrete - Fc = 3000 psi Quality  
 (2500 psi Design)  
 Soil - 3000 psf per Report  
 #0602965A (Speedie & Assoc)

**NOTE:** Dowel cold joints if slab not completed in one pour. It is recommended that joints 3/4" deep be sawcut into green concrete at approximately 15' C-C each direction for crack control.

**SEISMIC DATA PER BUILDING DESIGNER:**  
 Ss = 22.6 S1 = 6.5  
 Sds = 241 Sd1 = .104  
 Site Class D Design Category B  
 Base Shear V = .0804 x W

**SPECIAL STRUCTURAL INSPECTION IS REQUIRED FOR HIGH STRENGTH BOLTS IN BUILDING FRAMES.**

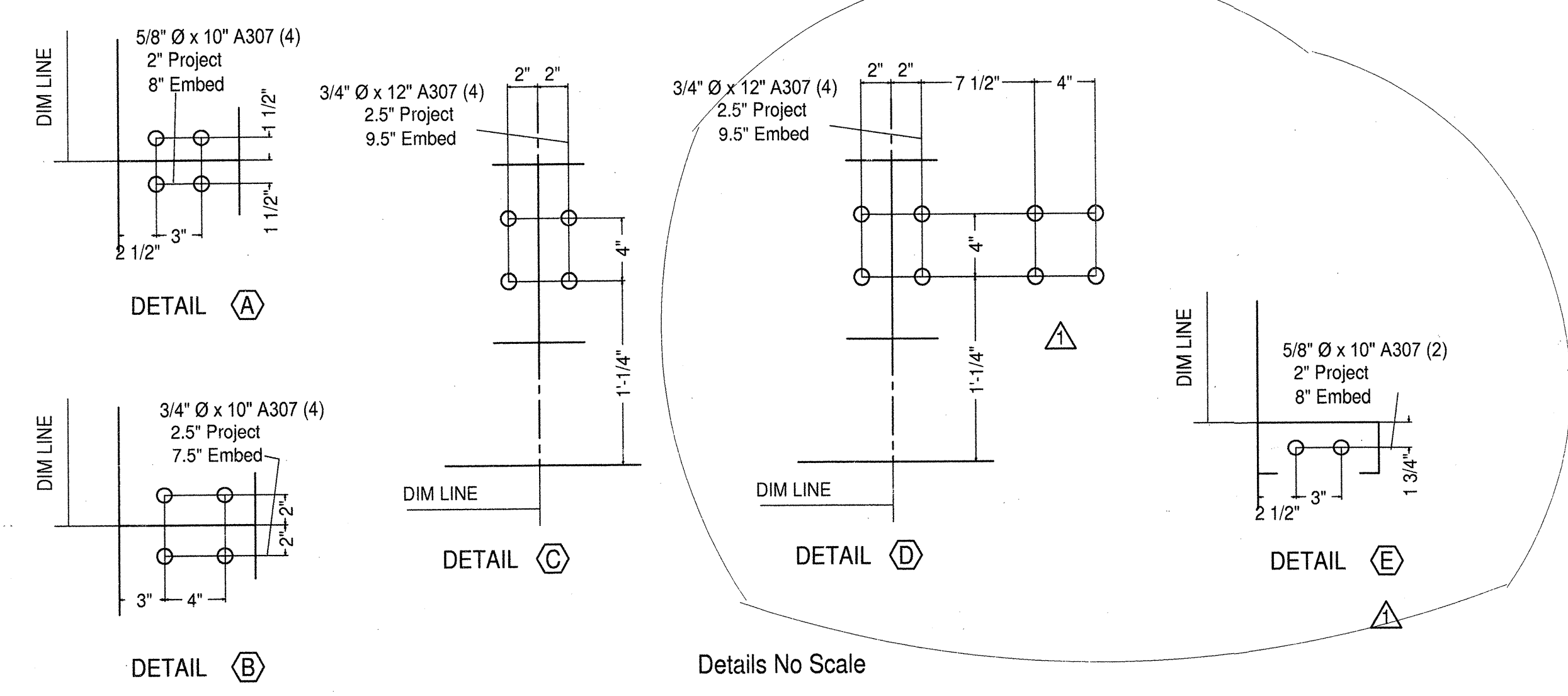
CITY OF PHOENIX  
 Development Services Department  
 BY: (KUSHI) [Signature]  
 JUN 19 2007



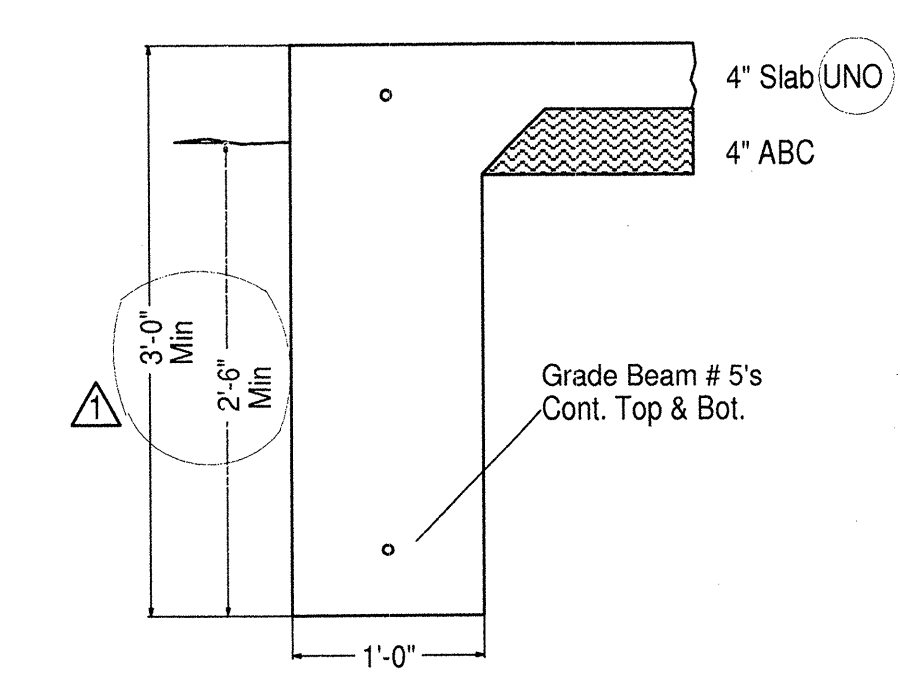
\* Sim Detail 2  
 Pad 4'-0" x 4'-0"  
 w/ 4 @ #5 ea way

**FOUNDATION PLAN**  
 3/16" = 1'

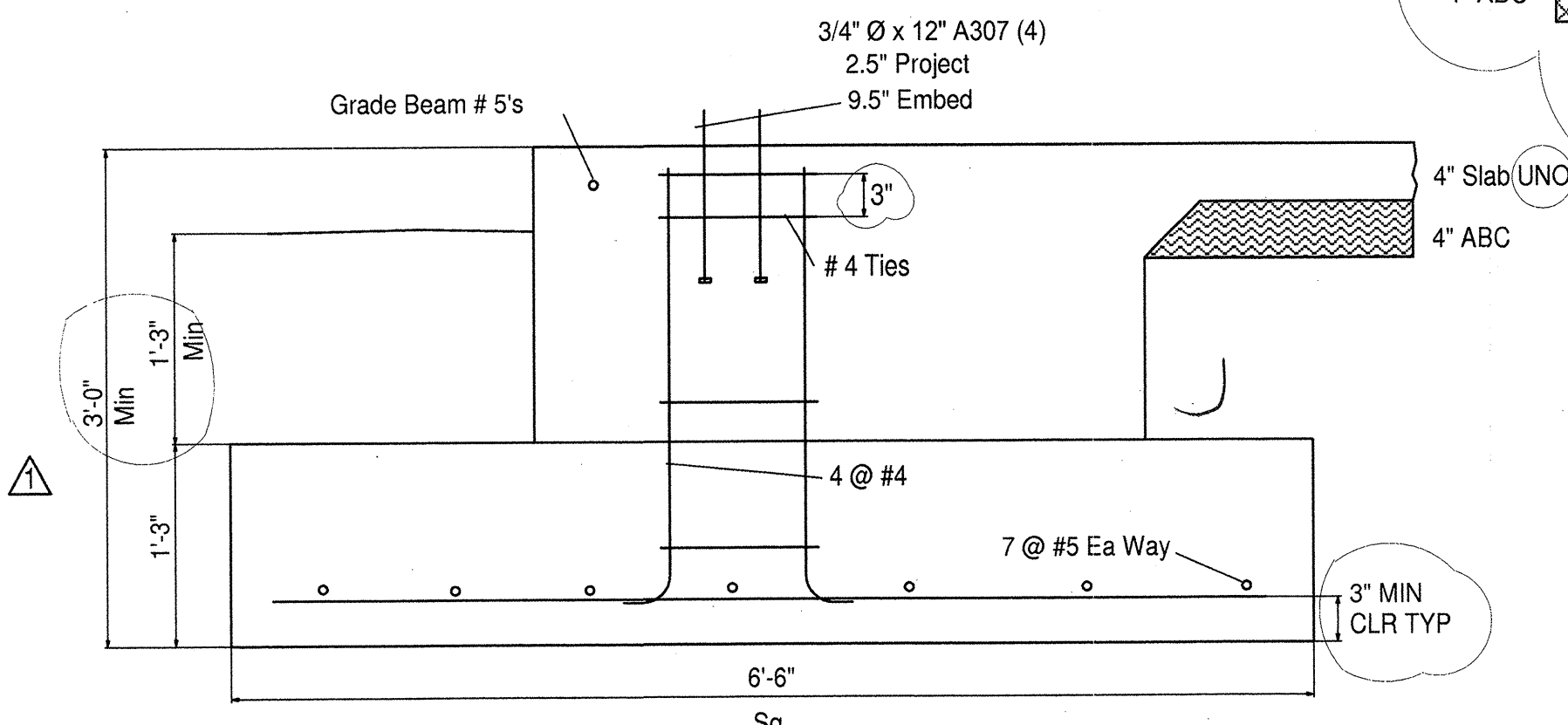
Foundations 2' - 6" Minimum into Natural Grade



Details No Scale

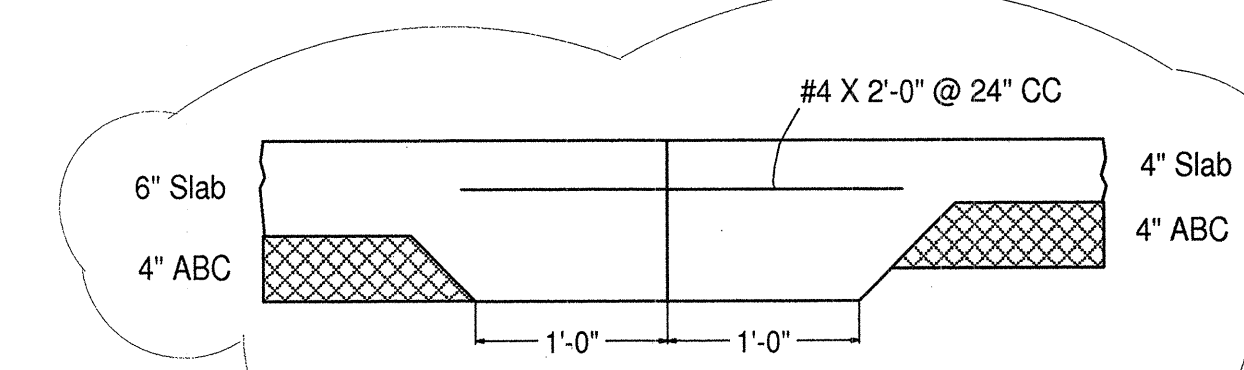


1 Typical Grade Beam No Scale



2 FRAME FOUNDATION No Scale

Verify all Anchor Bolt Locations with METALLIC Bolt Plan



3 SLAB TRANSITION No Scale

Revisions per Plan Check 5/2/07 JJG

YELLOWKNIFE  
 70' X 150' FOUNDATION  
 PHOENIX, AZ  
 SHEET F1