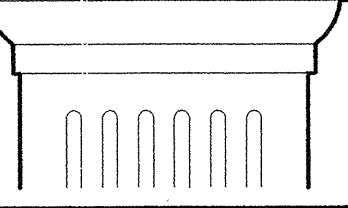


THE DRAWING, SPECIFICATIONS AND OTHER DOCUMENTS PREPARED BY THE ARCHITECT FOR THIS PROJECT ARE INSTRUMENTS OF THE ARCHITECT'S SERVICE FOR USE SOLELY WITH RESPECT TO THIS PROJECT. THE ARCHITECT SHALL BE DEEMED THE AUTHOR OF THESE DOCUMENTS AND SHALL RETAIN ALL COMMON LAW, STATUTORY AND OTHER RESERVED RIGHTS, INCLUDING THE COPYRIGHT.



AEC
design building concepts

29756 Desert Willow Blvd
Queen Creek, Arizona 85243
ph. 480.882.9833
fax. 480.445.9795
www.aecdesigns.com
email: brian@aecdesigns.com

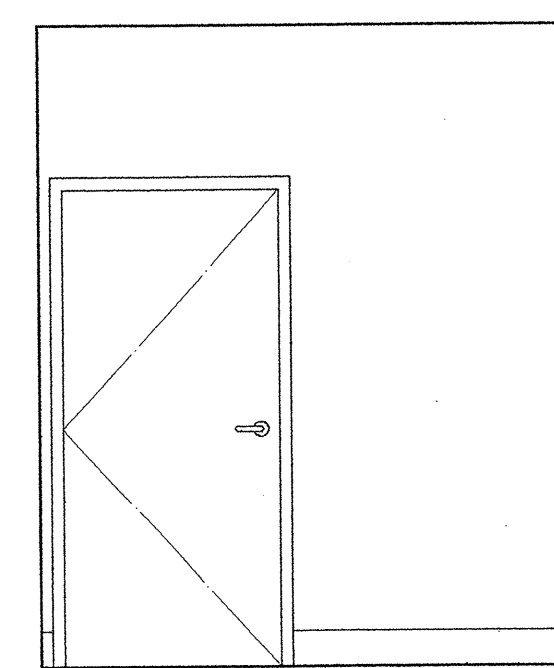


Architecture Plus L.L.C.
GARDEN CITY - DODGE CITY - DENVER
ARCHITECTURE

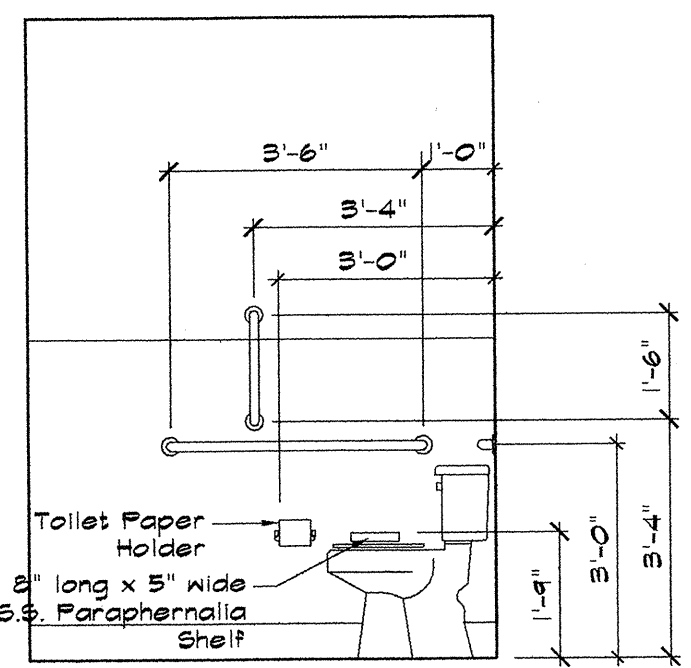
PLANNING
INTERIORS

402 E. FULTON 620.276.2872
GARDEN CITY, KANSAS 67846
FAX 620.276.7679
archplus@architectureplus.net

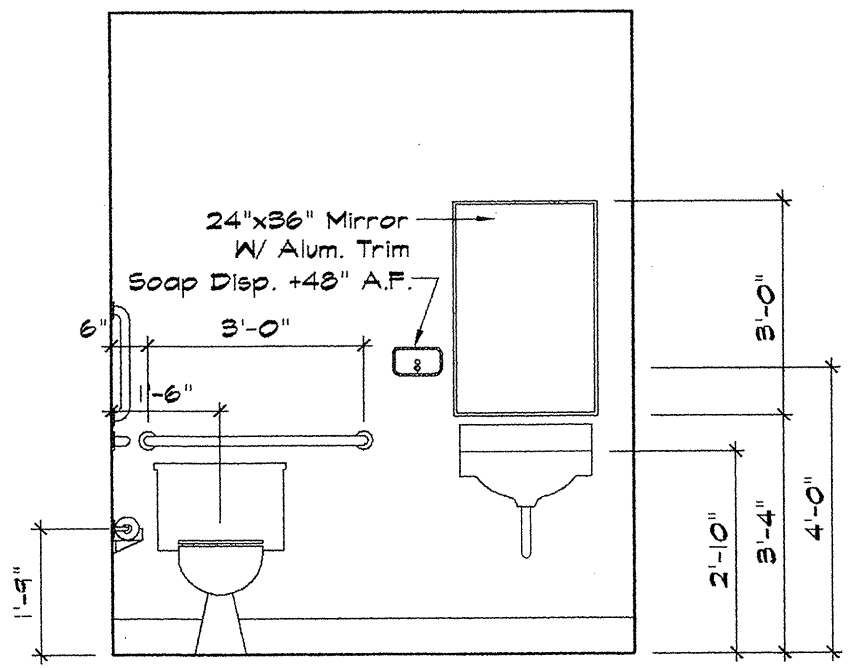
date
Feb 2007
drawn by
Brian



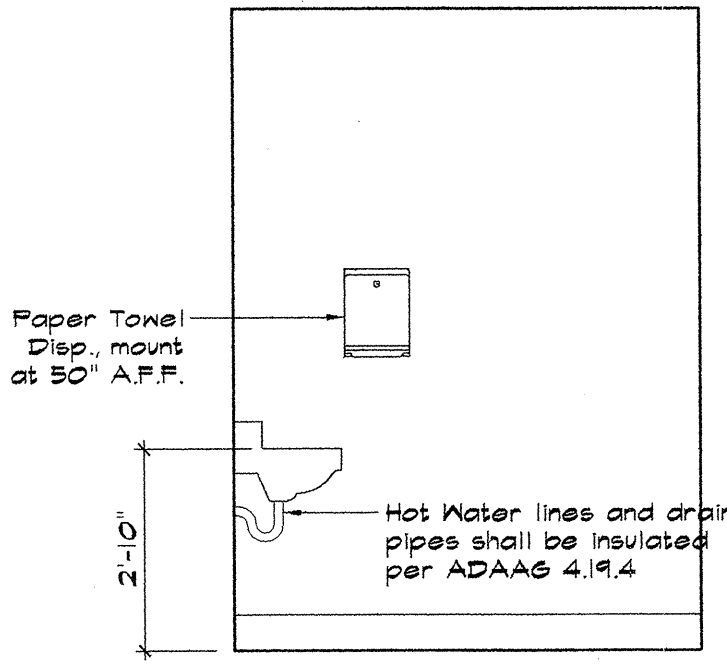
North Elevation - Rm. #108
3/8" = 1'-0"



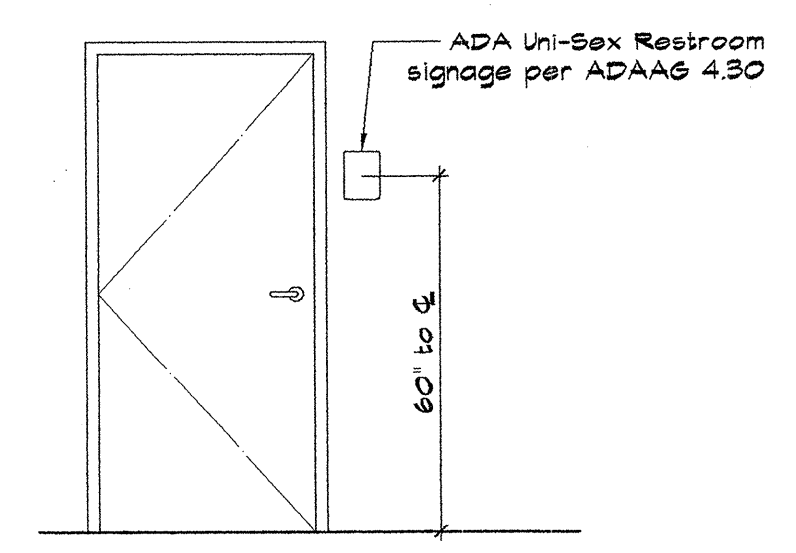
East Elevation - Rm. #108
3/8" = 1'-0"



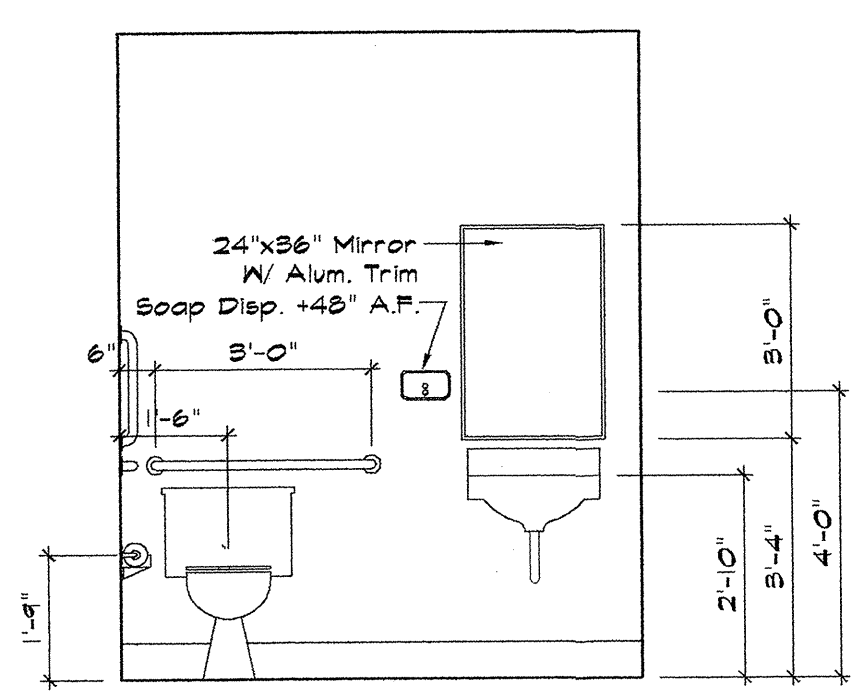
South Elevation - Rm. #108
3/8" = 1'-0"



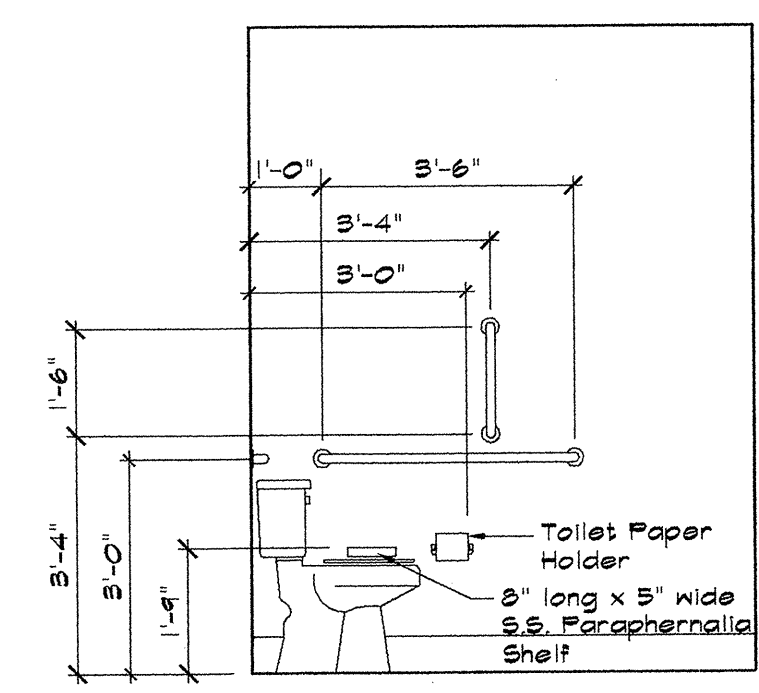
West Elevation - Rm. #108
3/8" = 1'-0"



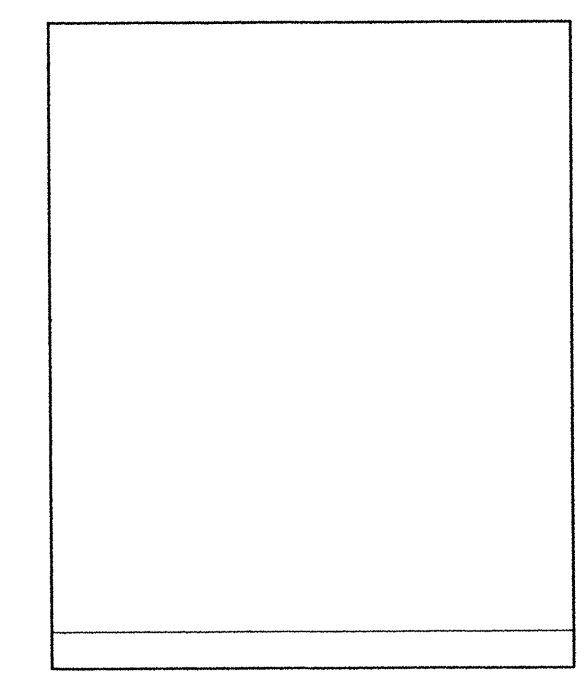
Exterior Side of RR Door
3/8" = 1'-0"



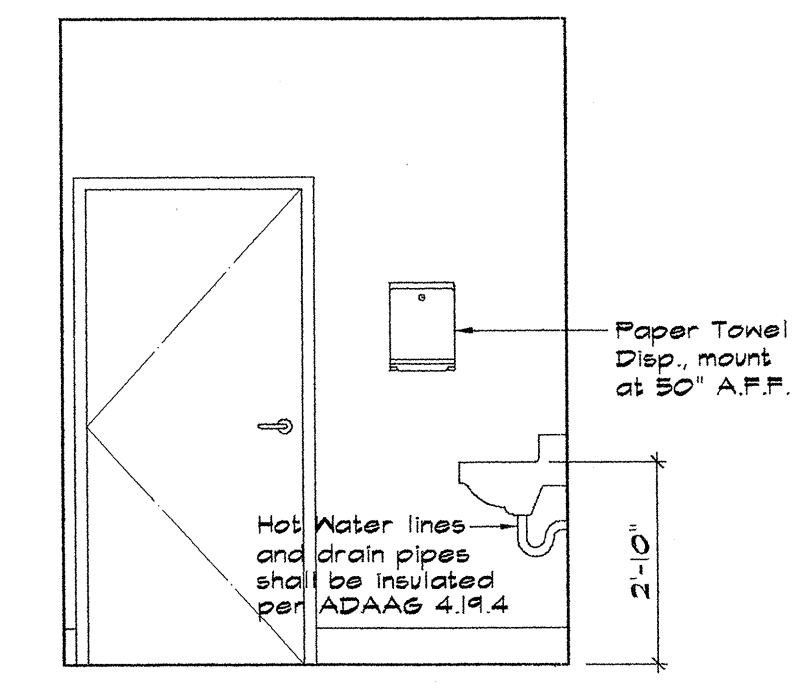
North Elevation - Rm. #109
3/8" = 1'-0"



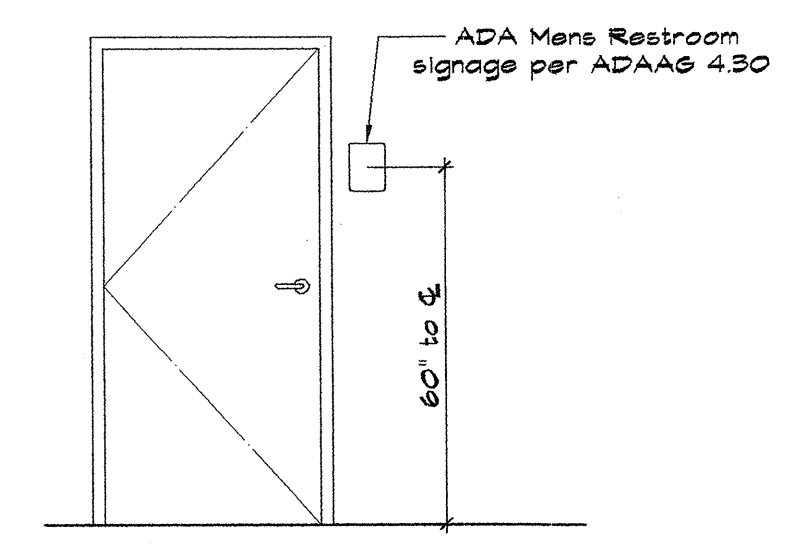
East Elevation - Rm. #109
3/8" = 1'-0"



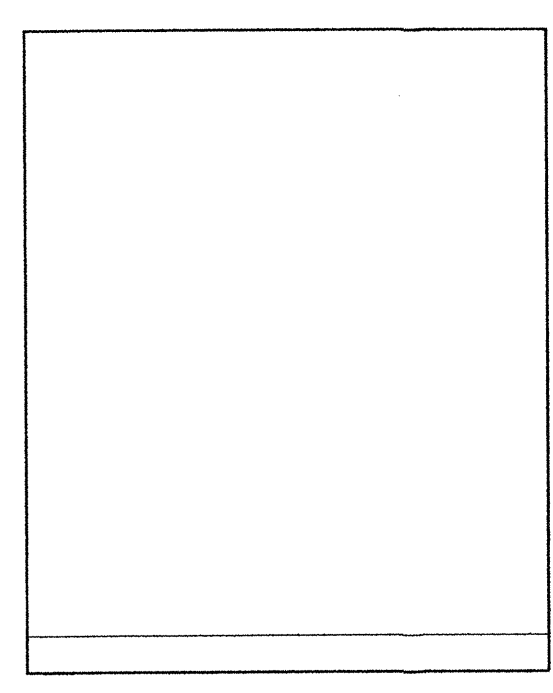
South Elevation - Rm. #109
3/8" = 1'-0"



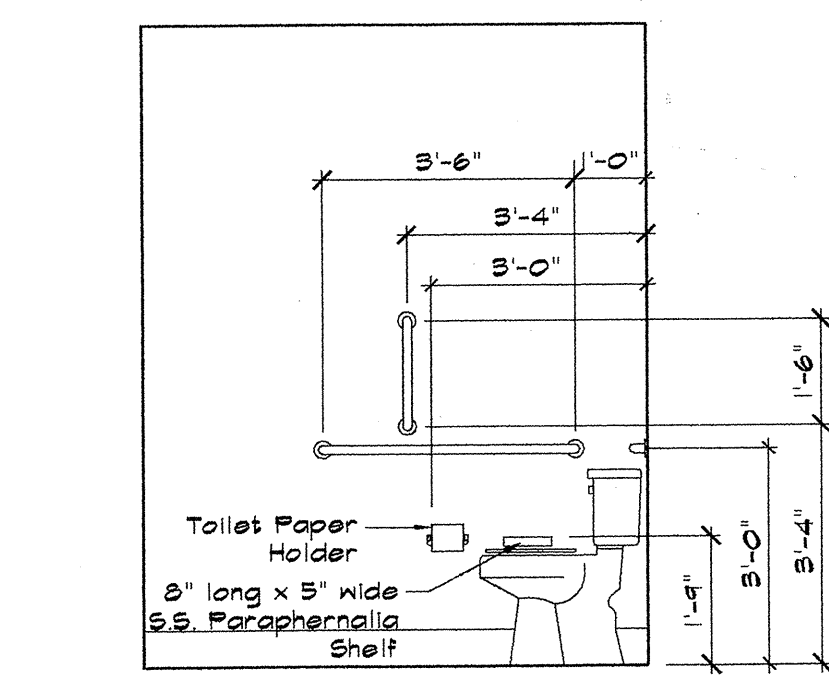
West Elevation - Rm. #109
3/8" = 1'-0"



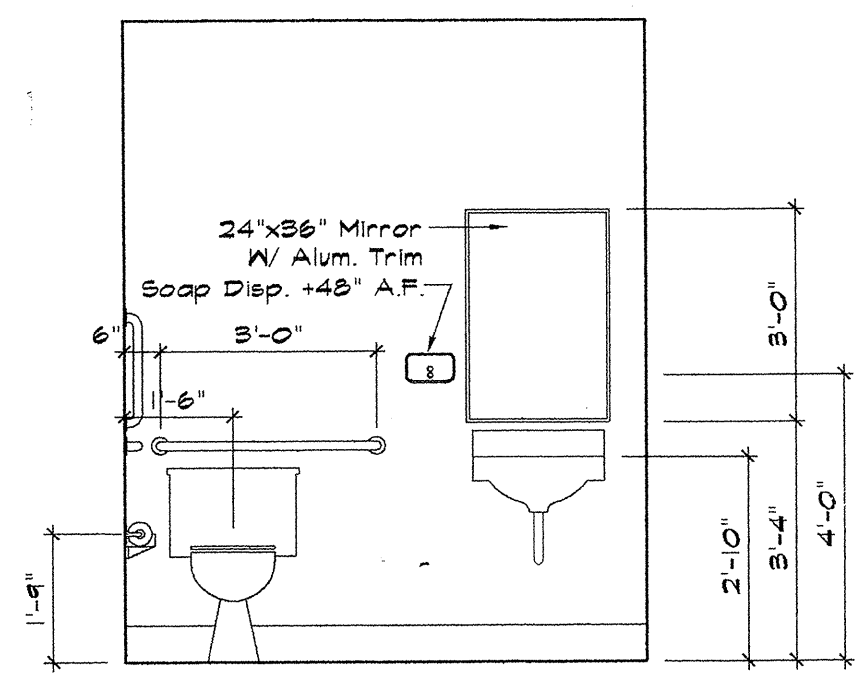
Exterior Side of RR Door
3/8" = 1'-0"



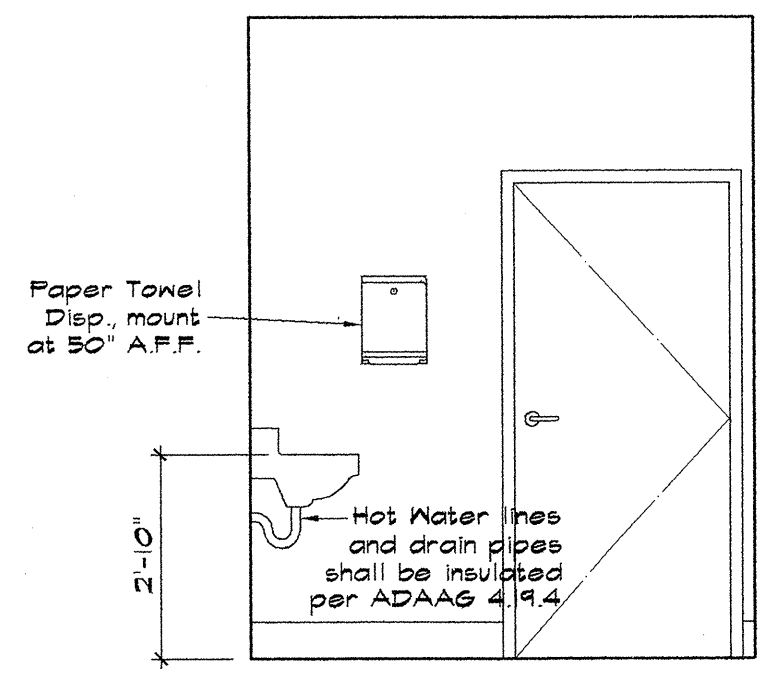
North Elevation - Rm. #110
3/8" = 1'-0"



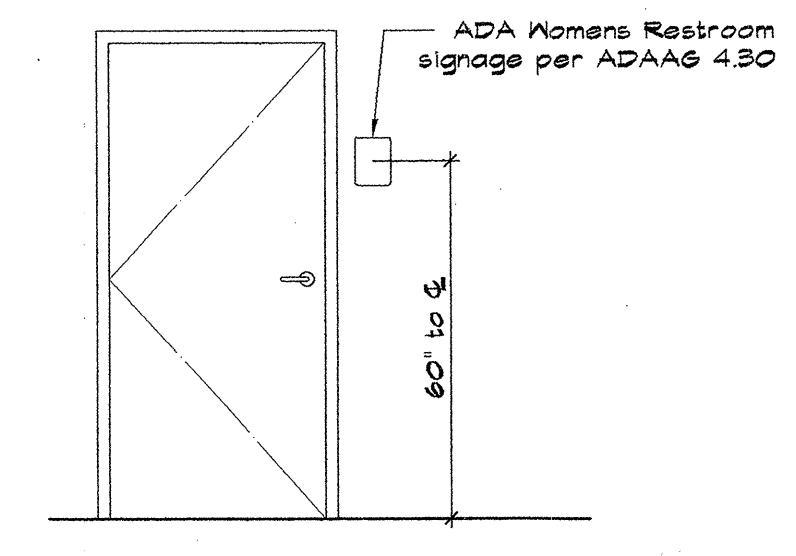
East Elevation - Rm. #110
3/8" = 1'-0"



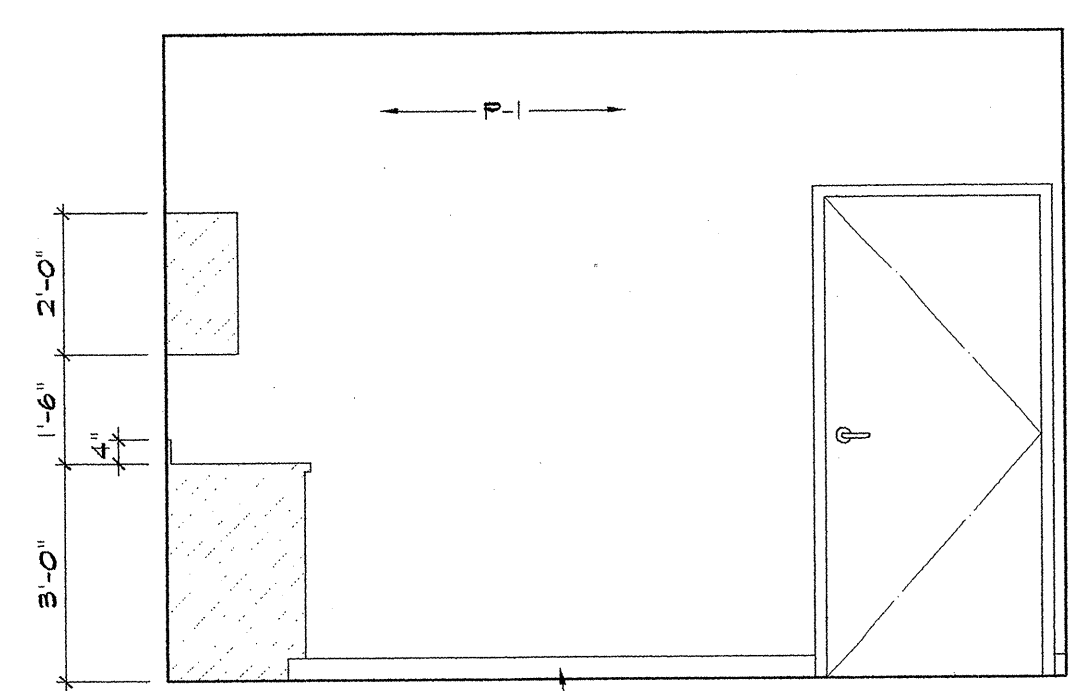
South Elevation - Rm. #110
3/8" = 1'-0"



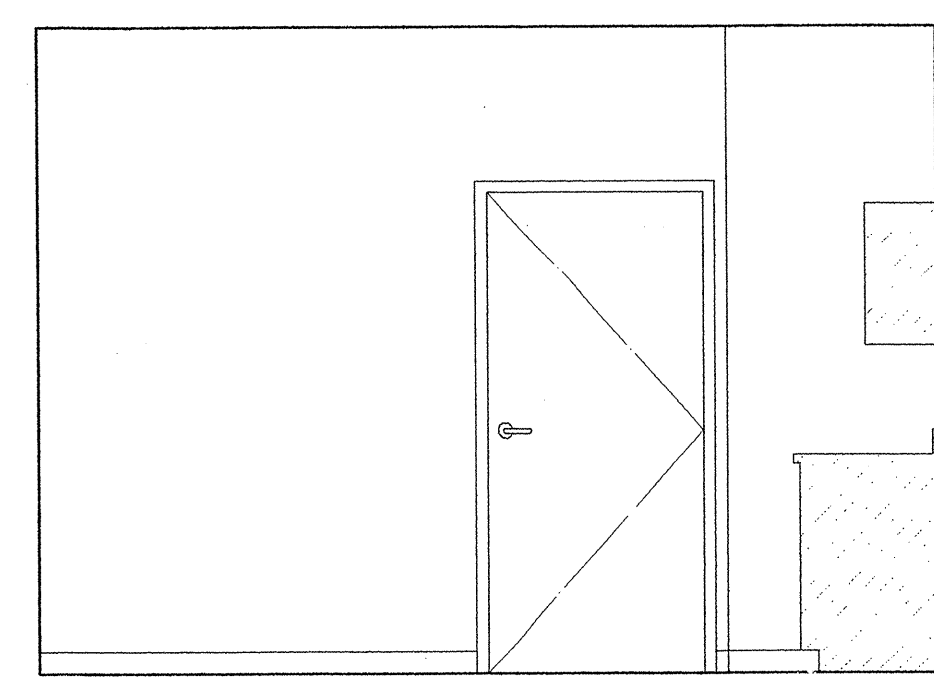
West Elevation - Rm. #110
3/8" = 1'-0"



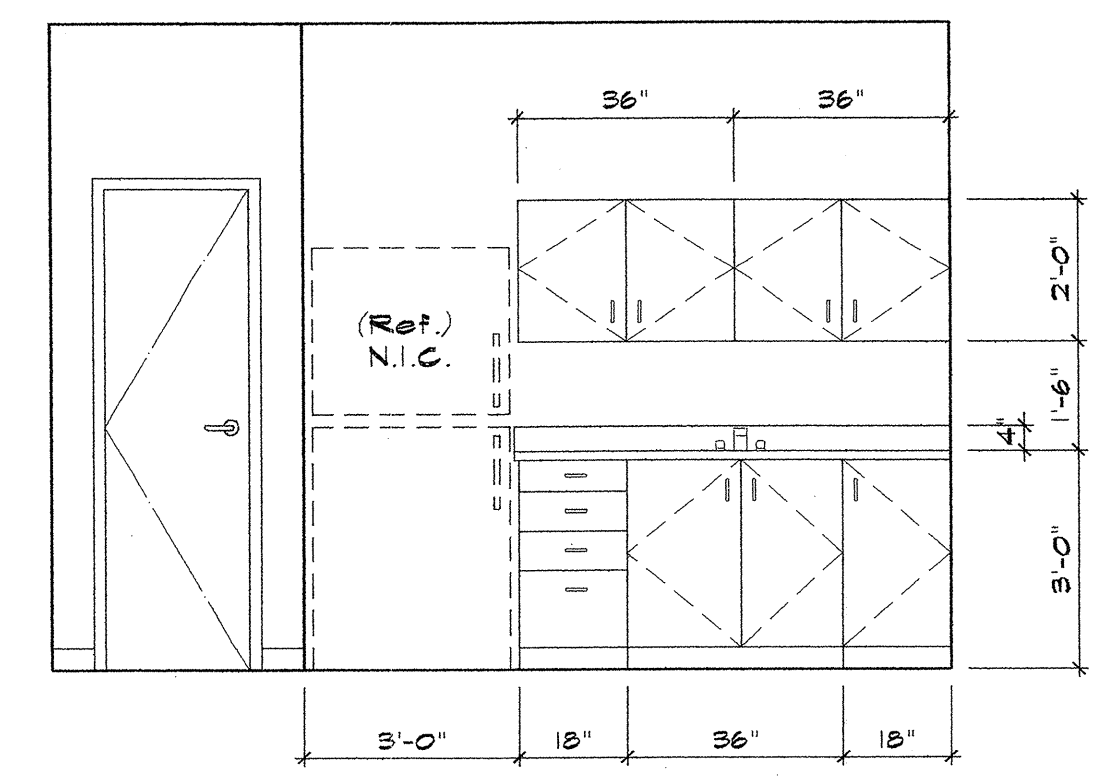
Exterior Side of RR Door
3/8" = 1'-0"



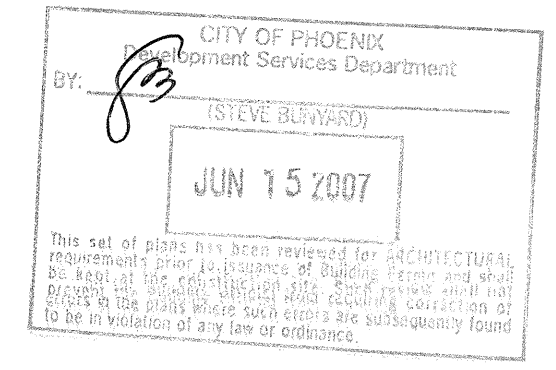
North Elevation - Rm. #105
3/8" = 1'-0"



South Elevation - Rm. #105
3/8" = 1'-0"



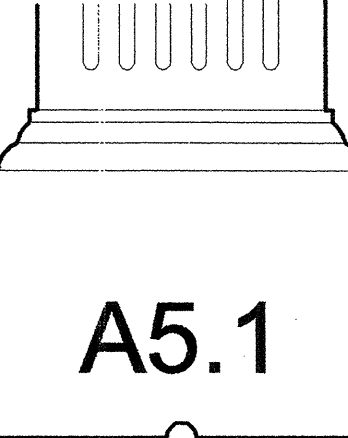
West Elevation - Rm. #105
3/8" = 1'-0"



NATIONAL WATER WORKS
NORTH PHOENIX BRANCH
Parcel #209-03-104 A
2140 W Williams Drive
Phoenix, Arizona

Job number
0658
title
Interior Elevations

st. 10300
sheet number



C:\AEC\design\20060810\supp\A5.1.dwg, 2/15/2007 11:40:08 AM