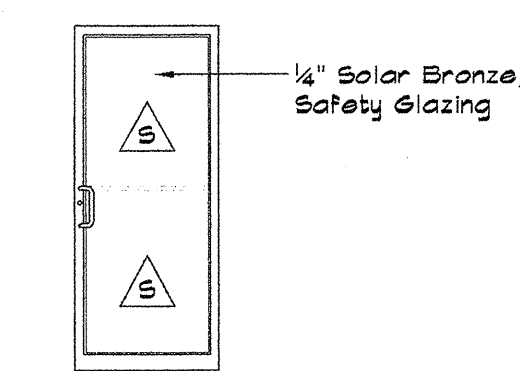
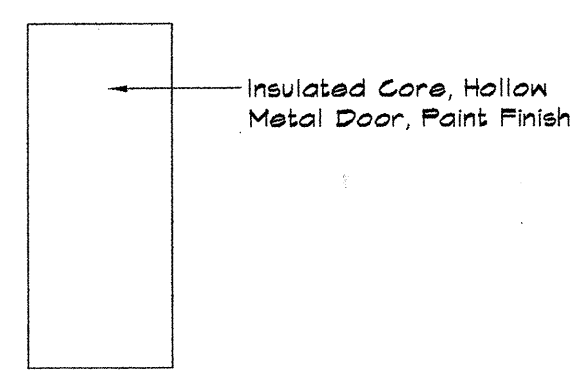


Door Schedule

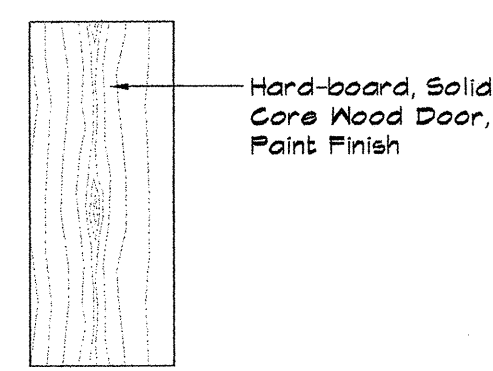
Door No.	DOOR SIZE	Room No.	Fire Rating	Type	Door Mtl.	Door Core	Glazing	DETAILS				Jamb Mtl.	Jamb Width	Frame Elev.	Hdwr. Set	REMARKS
								H	J	S	M					
1	3'-0" x 7'-0" x 1 3/4"	101	-	A	Alum.	SL	1/4" Solar Bronze - Safety	-	-	-	-	Alum	4 1/2"	AL-1	1	Vistawall
2	Pr. 3'-0" x 7'-0" x 1 3/4"	114	-	A	Alum.	SL	1/4" Solar Bronze - Safety	-	-	-	-	Alum	4 1/2"	AL-2	1	Vistawall
3	Pr. 3'-0" x 7'-0" x 1 3/4"	114	-	A	Alum.	SL	1/4" Solar Bronze - Safety	-	-	-	-	Alum	4 1/2"	AL-2	1	Vistawall
4	3'-0" x 7'-0" x 1 3/4"	115	-	B	HM	-	-	-	-	-	-	HMF	5 3/4"	HMF-1	2	Supplied by Bldg. Mfr.
5	12'-0" x 14'-0"	115	-	E	Stl.	-	-	-	-	-	-	-	-	-	-	Supplied by Bldg. Mfr.
6	12'-0" x 14'-0"	115	-	E	Stl.	-	-	-	-	-	-	-	-	-	-	Supplied by Bldg. Mfr.
7	24'-0" x 14'-0"	115	-	E	Stl.	-	-	-	-	-	-	-	-	-	-	Supplied by Bldg. Mfr.
8	3'-0" x 7'-0" x 1 3/4"	115	-	B	HM	-	-	-	-	-	-	HMF	5 3/4"	HMF-1	2	Supplied by Bldg. Mfr.
9	3'-0" x 7'-0" x 1 3/4"	115	-	B	HM	-	-	-	-	-	-	HMF	5 3/4"	HMF-1	2	Supplied by Bldg. Mfr.
10	3'-0" x 6'-8" x 1 3/4"	106	-	C	MD	SC	-	1	1	-	-	Stl.	4 7/8"	T-1	5	
11	3'-0" x 6'-8" x 1 3/4"	107	-	C	MD	SC	-	1	1	-	-	Stl.	4 7/8"	T-1	5	
12	3'-0" x 6'-8" x 1 3/4"	108	-	C	MD	SC	-	1	1	-	-	Stl.	4 7/8"	T-1	4	
13	3'-0" x 6'-8" x 1 3/4"	109	-	C	MD	SC	-	1	1	-	-	Stl.	4 7/8"	T-1	5	
14	3'-0" x 6'-8" x 1 3/4"	109	-	C	MD	SC	-	1	1	-	-	Stl.	4 7/8"	T-1	4	
15	3'-0" x 6'-8" x 1 3/4"	110	-	C	MD	SC	-	1	1	-	-	Stl.	4 7/8"	T-1	4	
16	3'-0" x 6'-8" x 1 3/4"	111	-	C	MD	SC	-	1	1	-	-	Stl.	4 7/8"	T-1	5	
17	3'-0" x 6'-8" x 1 3/4"	115	-	C	MD	SC	-	1	1	-	2	Stl.	4 7/8"	T-1	6	
18	3'-0" x 6'-8" x 1 3/4"	112	-	C	MD	SC	-	1	1	-	2	Stl.	4 7/8"	T-1	6	
19	Pr. 3'-0" x 6'-8"	114	-	D	-	SC	9"x14" Clear Acrylic	1	1	-	-	Stl.	-	-	-	ELIASON Model: SCG-1 doors
20	3'-0" x 6'-8" x 1 3/4"	104	-	C	MD	SC	-	1	1	-	-	Stl.	4 7/8"	T-1	5	
21	3'-0" x 6'-8" x 1 3/4"	102	-	C	MD	SC	-	1	1	-	-	Stl.	4 7/8"	T-1	6	
22	3'-0" x 6'-8" x 1 3/4"	103	-	C	MD	SC	-	1	1	-	-	Stl.	4 7/8"	T-1	6	



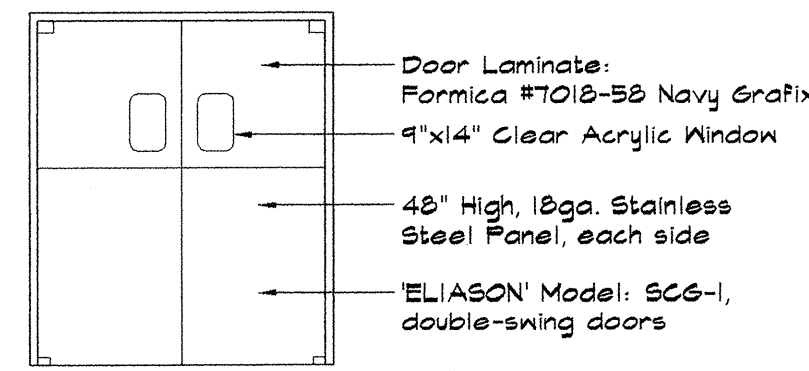
Door Type 'A'



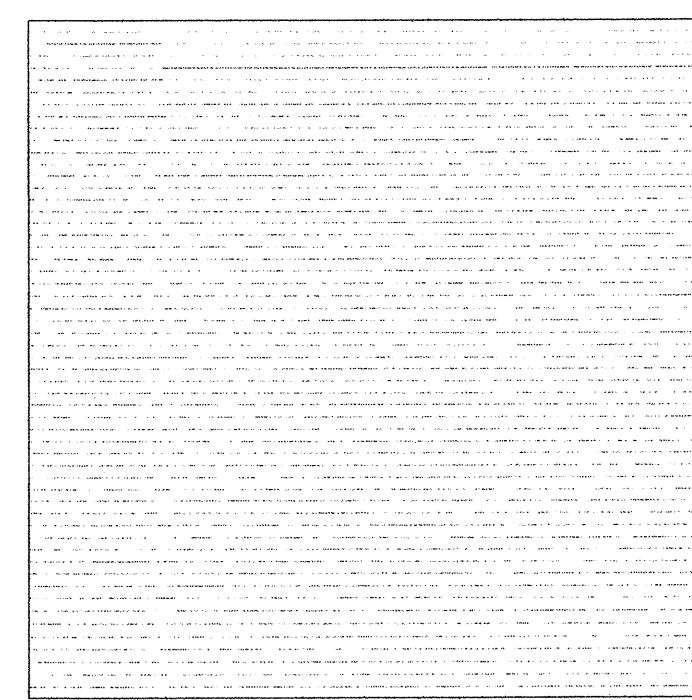
Door Type 'B'



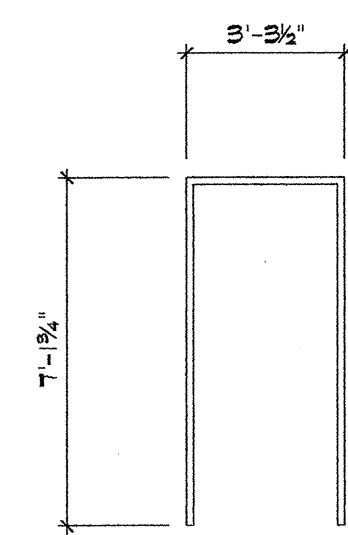
Door Type 'C'



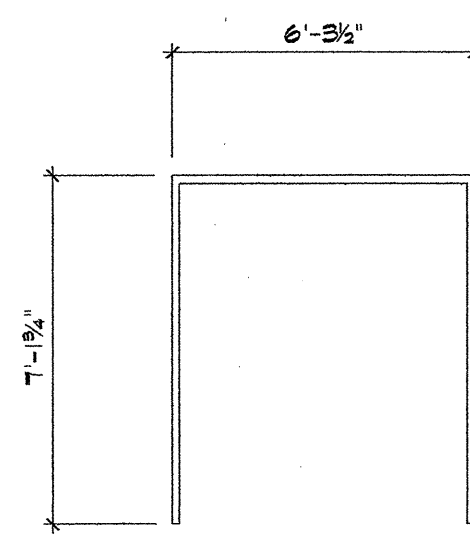
Door Type 'D'



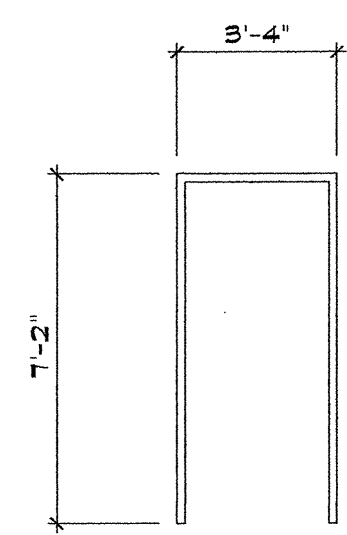
Door Type 'E'



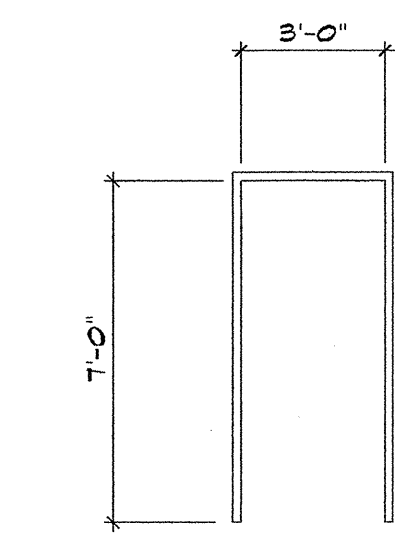
AL-1



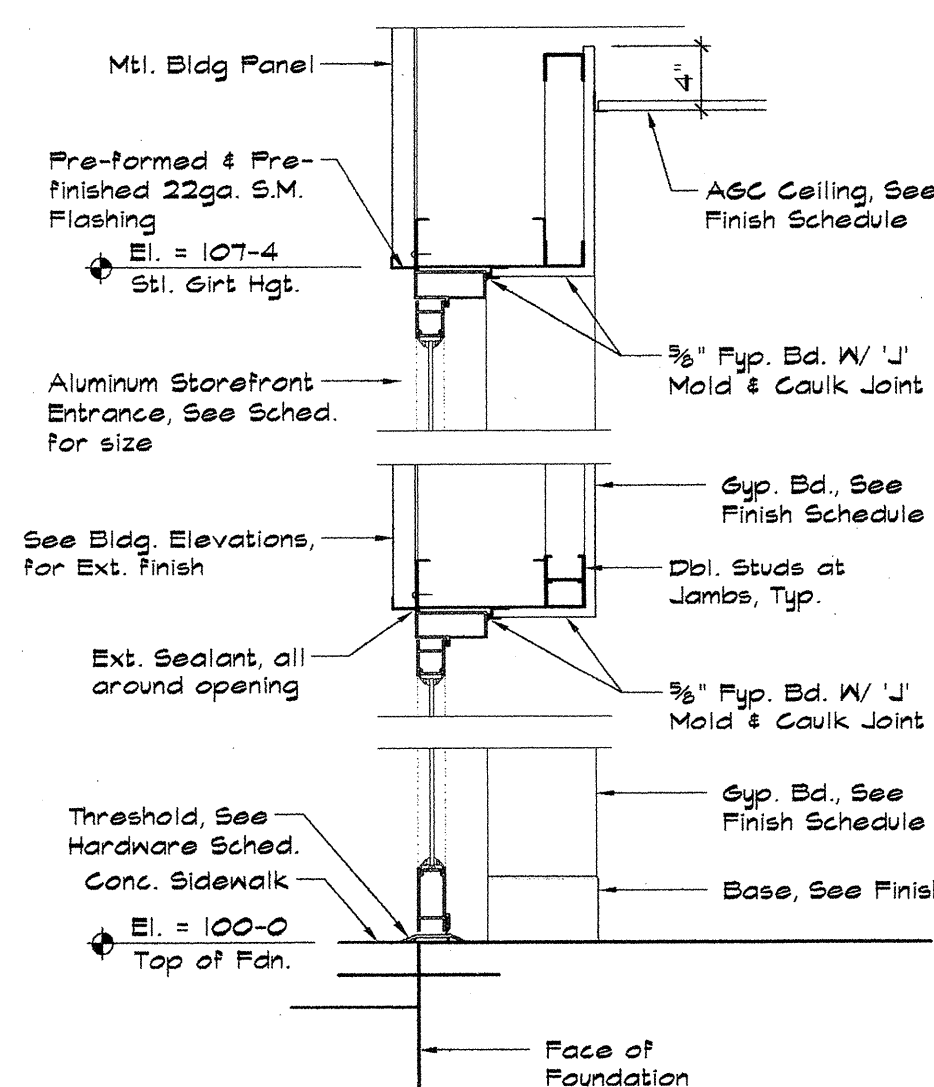
AL-2



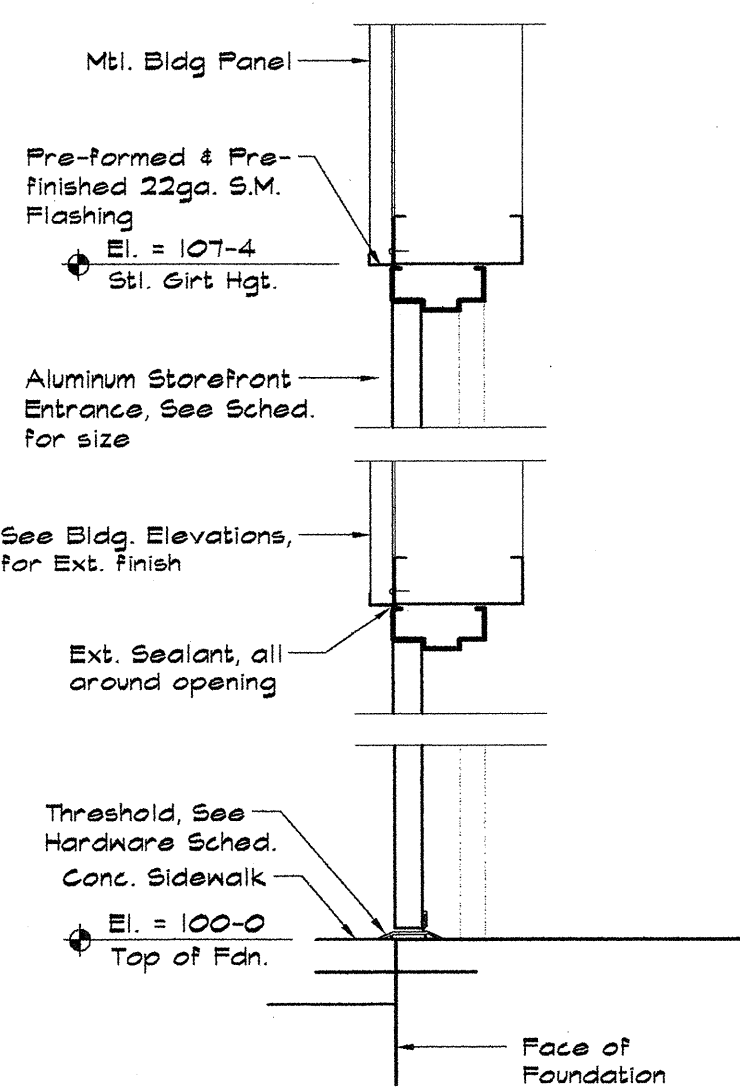
HMF-1



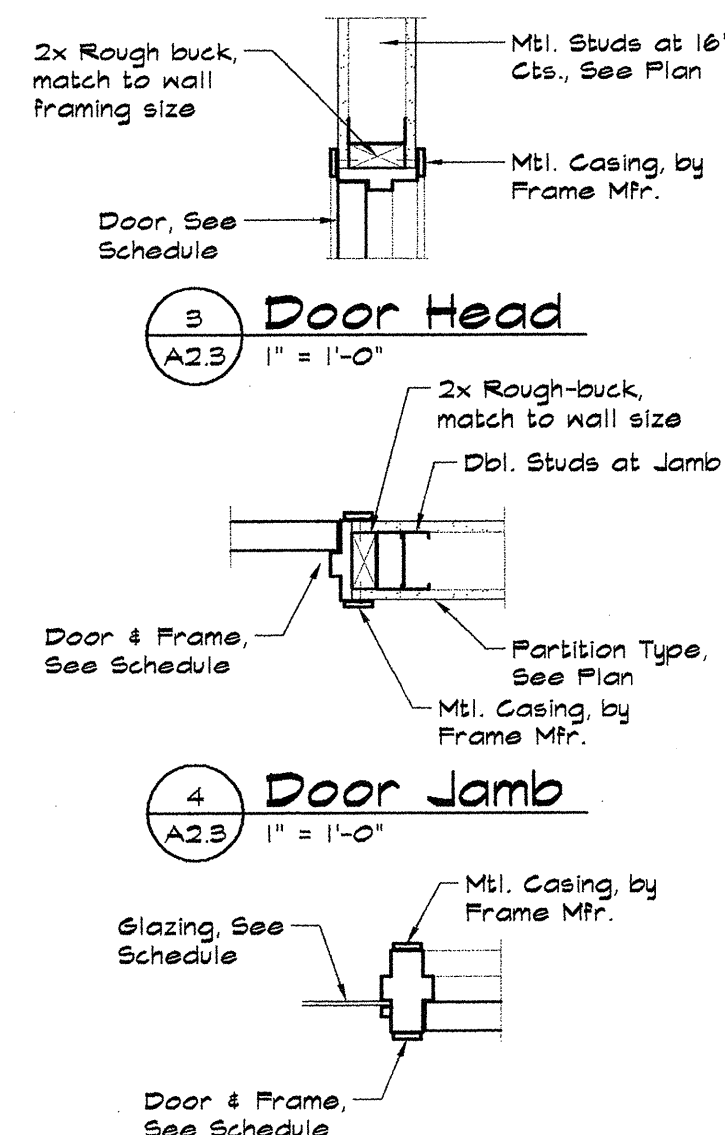
Timely Frame



1 Door Head / Jamb / Sill
A2.3 1" = 1'-0"



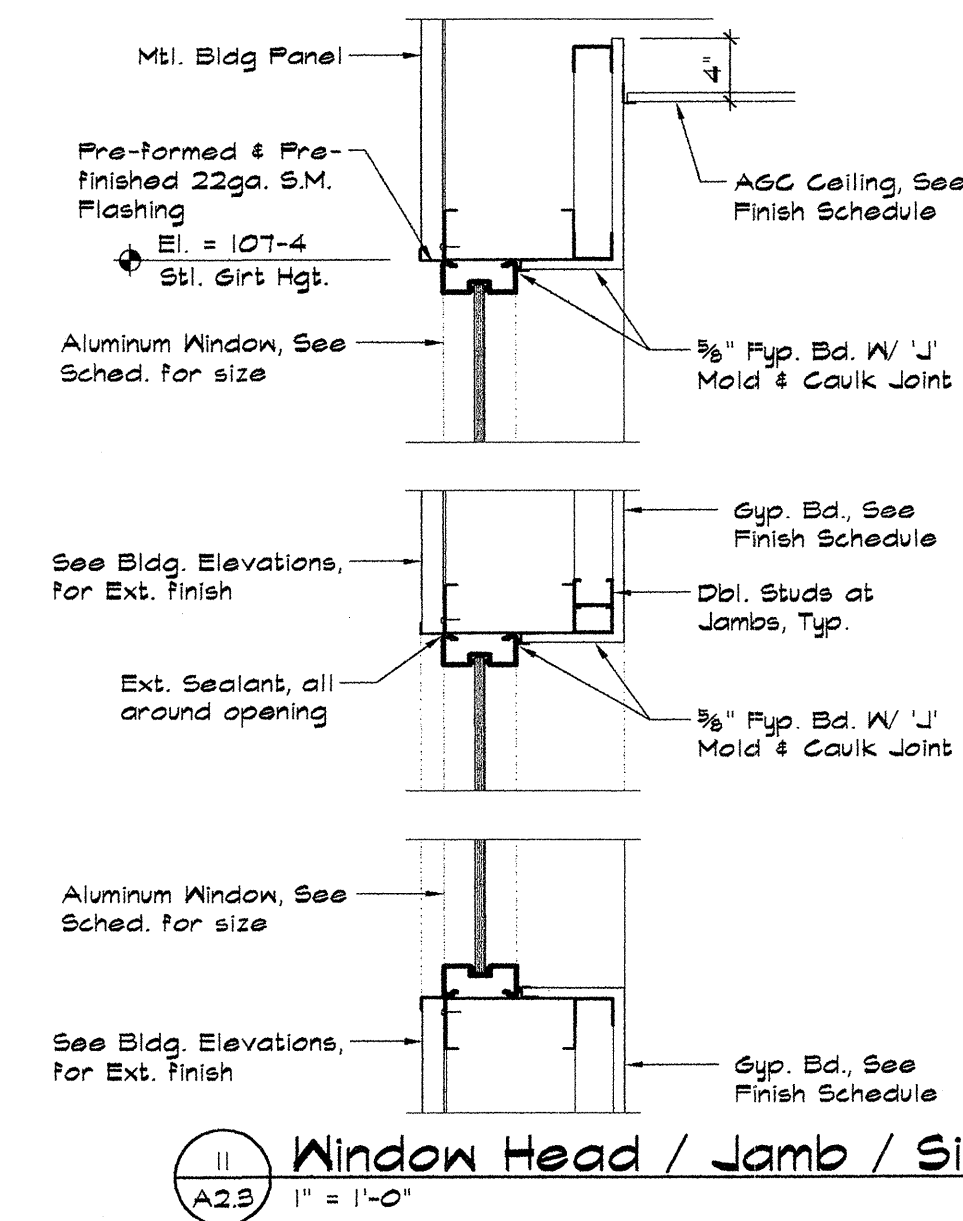
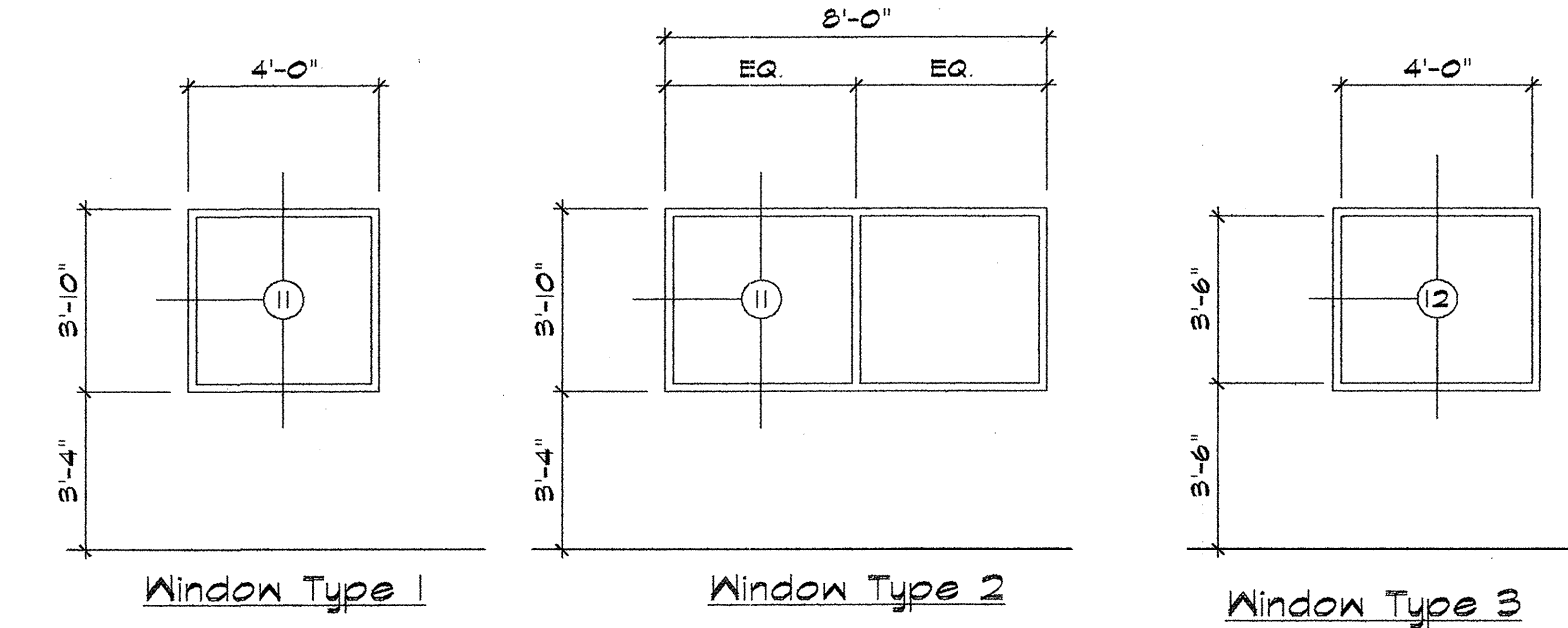
2 Door Head / Jamb / Sill
A2.3 1" = 1'-0"



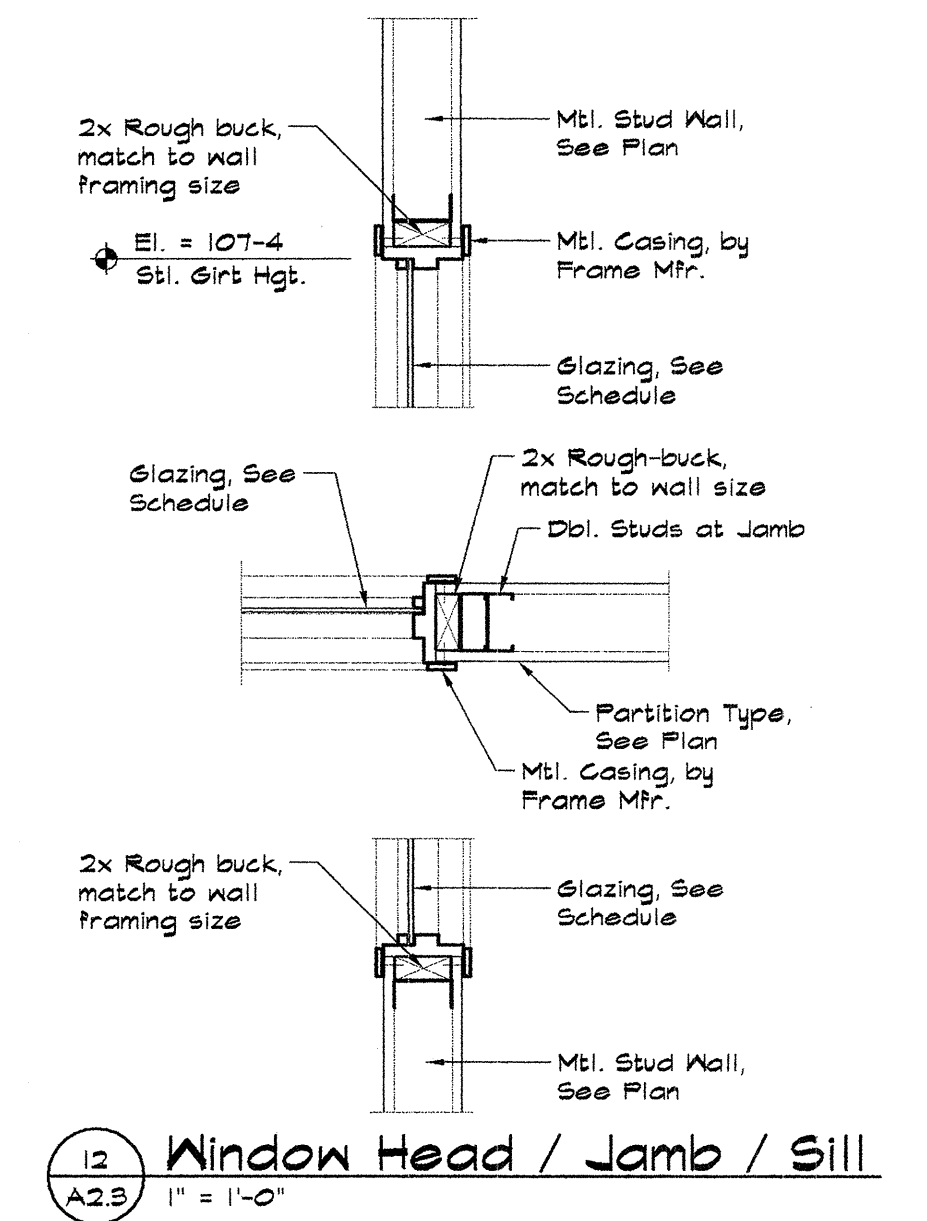
3 Mullion
A2.3 1" = 1'-0"

Window Schedule

Mark	Window Size	Head Elev.	Manufacturer	Glazing	Type	Details				Window Treatment	Remarks
						H	J	S	M		
A	4'-0" x 3'-10"	7'-4"		3/8" Solar Bronze	1	11	11-sim	11-sim	-	-	Clear Anodized
B	4'-0" x 3'-10"	7'-4"		3/8" Solar Bronze	1	11	11-sim	11-sim	-	-	Clear Anodized
C	4'-0" x 3'-10"	7'-4"		3/8" Solar Bronze	1	11	11-sim	11-sim	-	-	Clear Anodized
D	4'-0" x 3'-10"	7'-4"		3/8" Solar Bronze	1	11	11-sim	11-sim	-	-	Clear Anodized
E	8'-0" x 3'-10"	7'-4"		3/8" Solar Bronze	2	11	11-sim	11-sim	-	-	Clear Anodized
F	8'-0" x 3'-10"	7'-4"		3/8" Solar Bronze	2	11	11-sim	11-sim	-	-	Clear Anodized
G	4'-0" x 3'-6"	7'-0"	Timely	1/4" Clear Safety Glass	3	12	12-sim	12-sim	-	-	
H	4'-0" x 3'-6"	7'-0"	Timely	1/4" Clear Safety Glass	3	12	12-sim	12-sim	-	-	
K	6'-0" x 3'-6"	7'-0"	Timely	1/4" Clear Safety Glass	3	12	12-sim	12-sim	-	-	
J	5'-0" x 3'-6"	7'-0"	Timely	1/4" Clear Safety Glass	3	12	12-sim	12-sim	-	-	

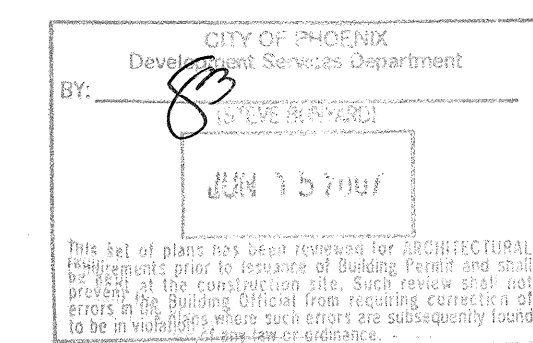


1 Window Head / Jamb / Sill
A2.3 1" = 1'-0"



2 Window Head / Jamb / Sill
A2.3 1" = 1'-0"

SHGC of 0.4 max and a U factor of 0.75 max is required for exterior glazing and doors

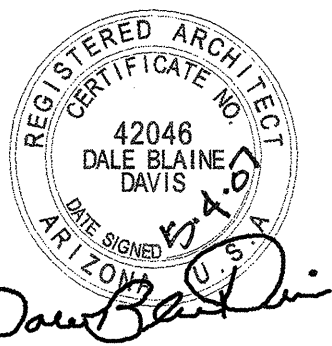


THE DRAWING, SPECIFICATIONS AND OTHER DOCUMENTS PREPARED BY THE ARCHITECT FOR THIS PROJECT ARE INSTRUMENTS OF THE ARCHITECT'S SERVICE FOR USE SOLELY WITH RESPECT TO THE PROJECT. THE ARCHITECT SHALL BE ADVISED IN WRITING OF ANY CHANGES TO THE STATUTORY AND OTHER RESOURCES RIGHTS, INCLUDING THE COPYRIGHT.

AEC
design building concepts
29756 Desert Willow Blvd
Queen Creek, Arizona 85243
ph. 480.882.9833
fax. 480.445.9795
www.aecdesigns.com
email: brian@aecdesigns.com

Architecture Plus L.L.C.
GARDEN CITY - DODGE CITY - DENVER
ARCHITECTURE
INTERIORS
402 E. RULTON 620.276.2872
GARDEN CITY, KANSAS 67846
FAX 620.276.7679
archplusarchitectureplus.net

date
Feb 2007
drawn by
Brian



NATIONAL WATER WORKS
NORTH PHOENIX BRANCH
Parcel #209-03-104 A
2140 W Williams Drive
Phoenix, Arizona

job number
0658
title
Window Schedule
Door Schedule
Details

sheet number
A2.3