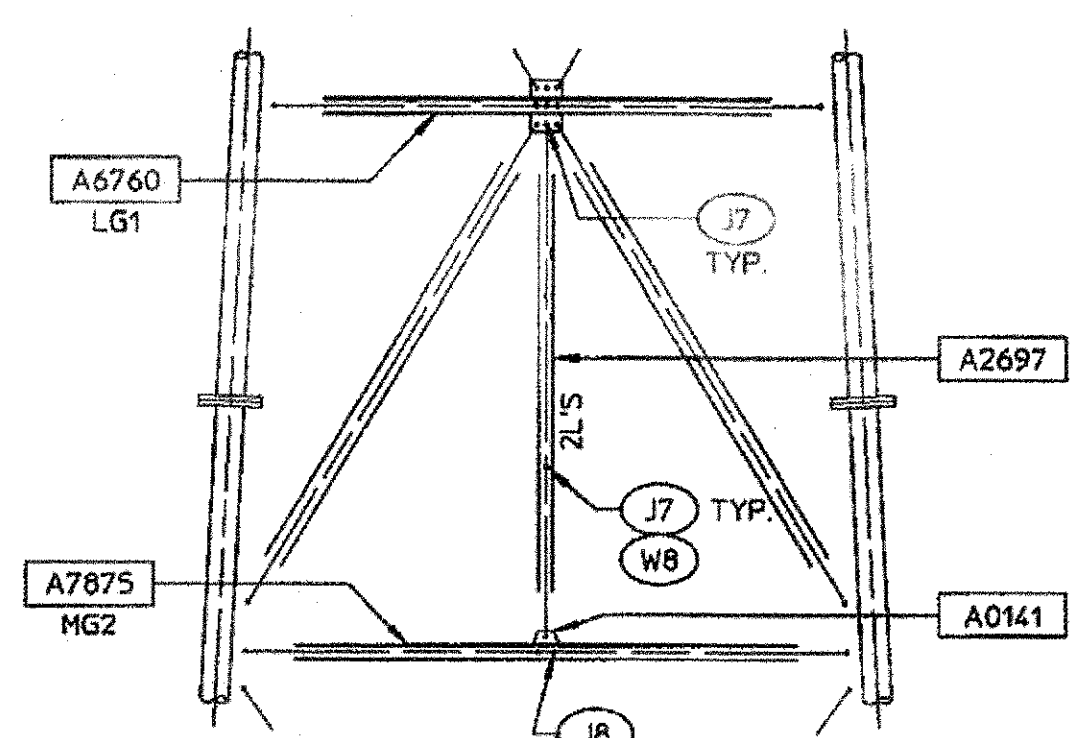
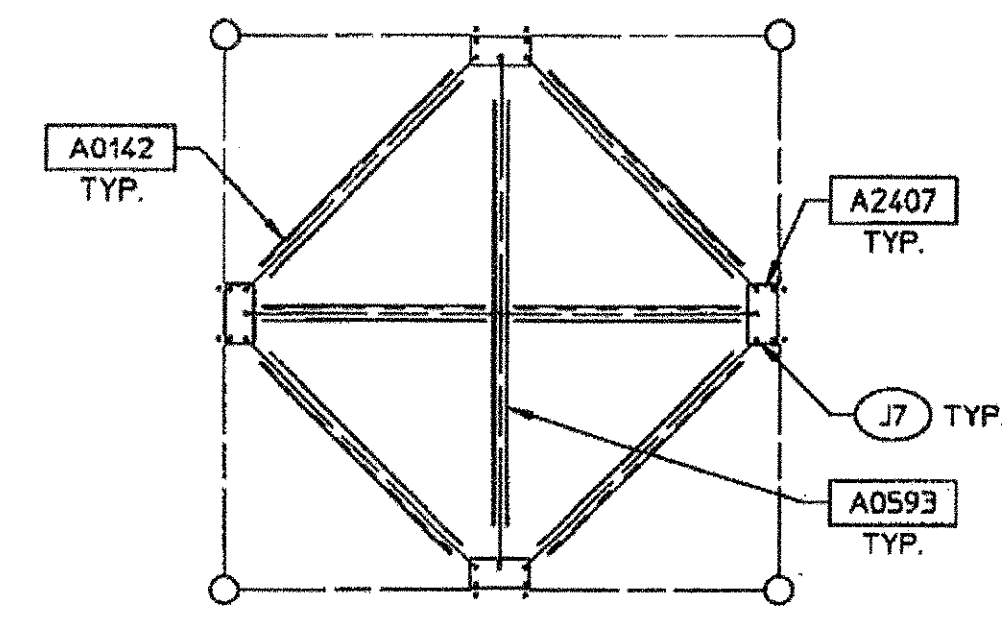


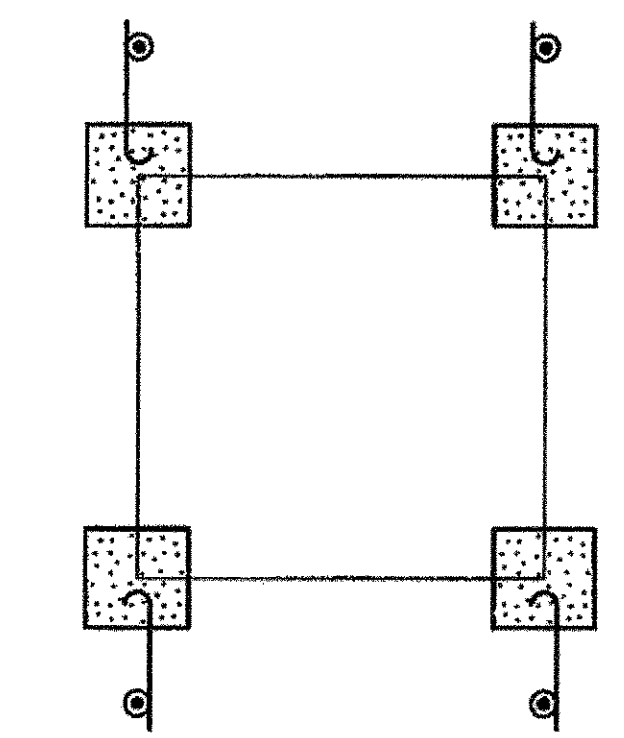
VERTICAL BRACE DETAIL S1 139#
FS2-FG1 TO FG2 NTS



VERTICAL BRACE DETAIL S5
LS1 NTS



INTERNAL BRACE DETAIL 1
FG2 1/4" x 1'-0"

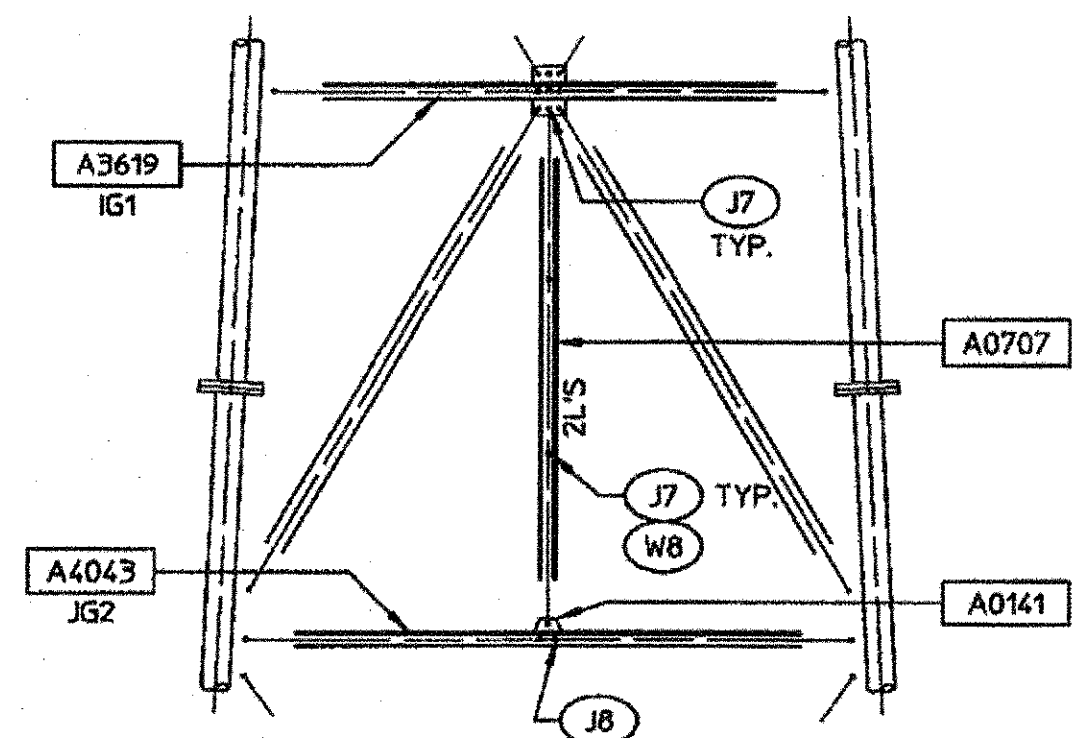


GROUNDING PLAN B1011

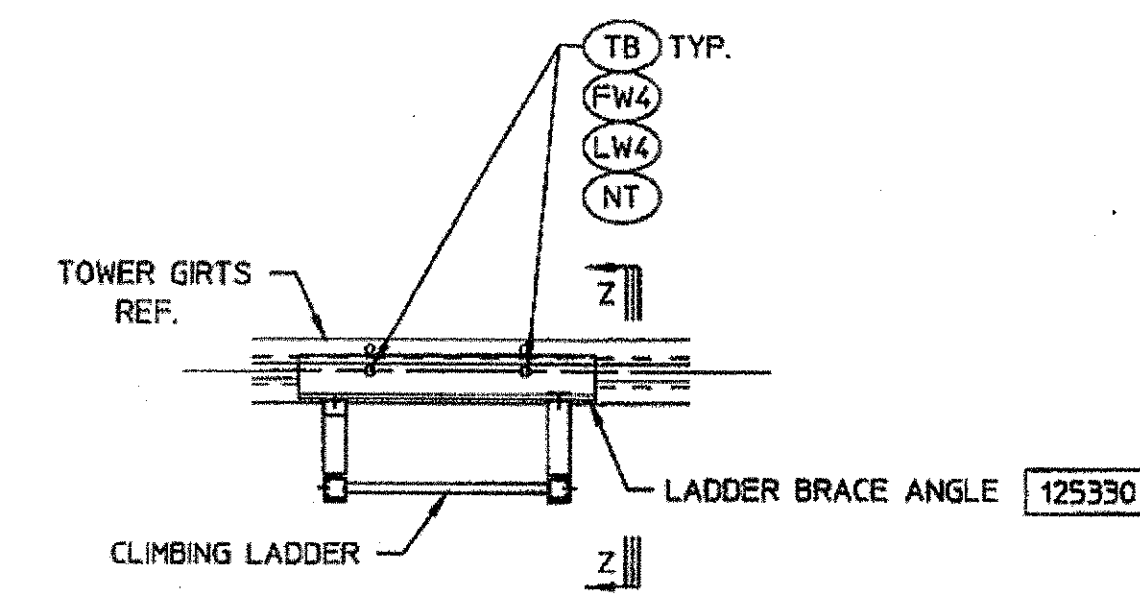
1. DRIVE ENTIRE ROD VERTICALLY WITH TOP APPROXIMATELY 12" BELOW GRADE.
2. WHERE RODS CANNOT BE DRIVEN, LAY ROD IN HORIZONTAL DITCH AND COVER WITH AVAILABLE SOIL.
3. AVOID SHARP BENDS IN GROUNDING WIRE. BENDS MUST BE 8" RADIUS MINIMUM.

SYM	QTY	DESCRIPTION
-	40'	#6 BARE SOLID COPPER WIRE
⊙	4	5/8" x 8' COPPER CLAD GROUND ROD
⊙	4	5/8" GROUND ROD CLAMP, COPPER
-	4	GROUNDING LUG, 1/4" x 1 1/4" SS BOLT, NUT, FW, LW & EXT. LW

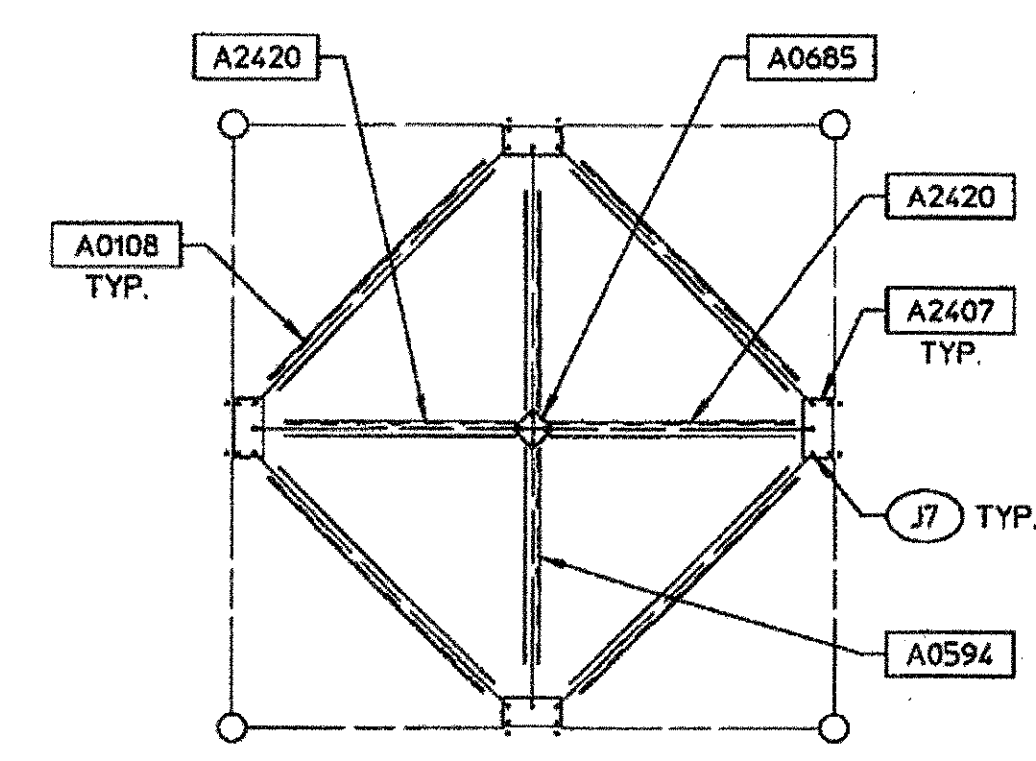
GROUNDING LIST B1011



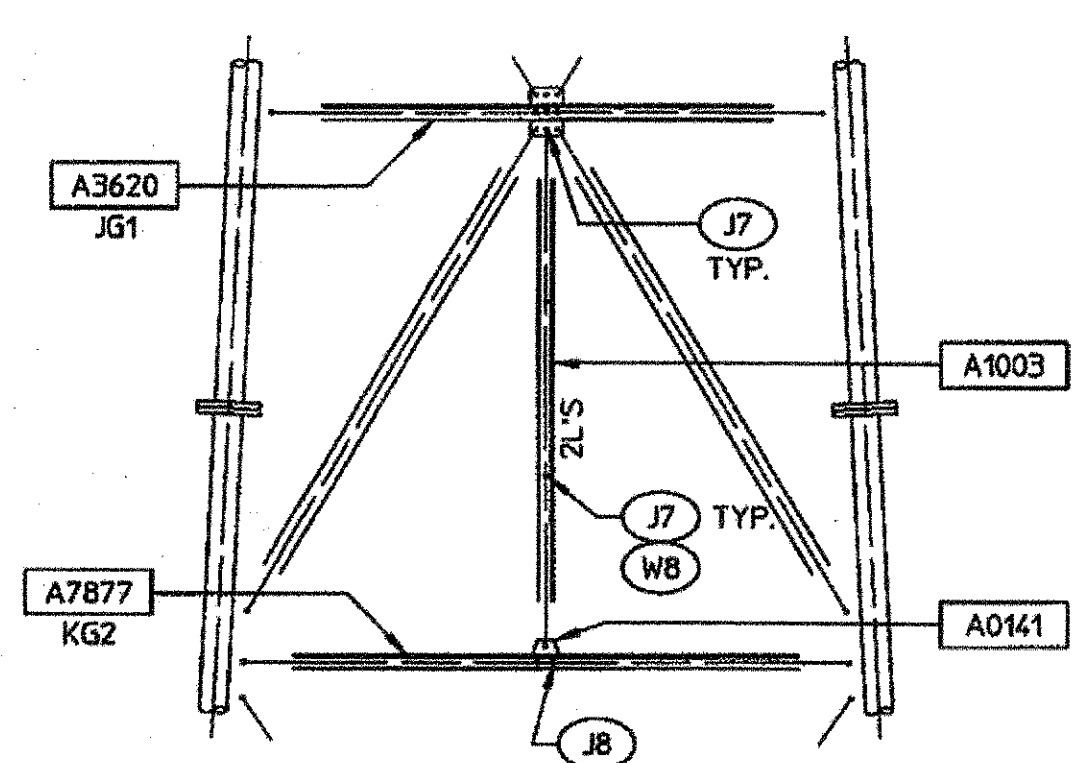
VERTICAL BRACE DETAIL S2
IS1 NTS



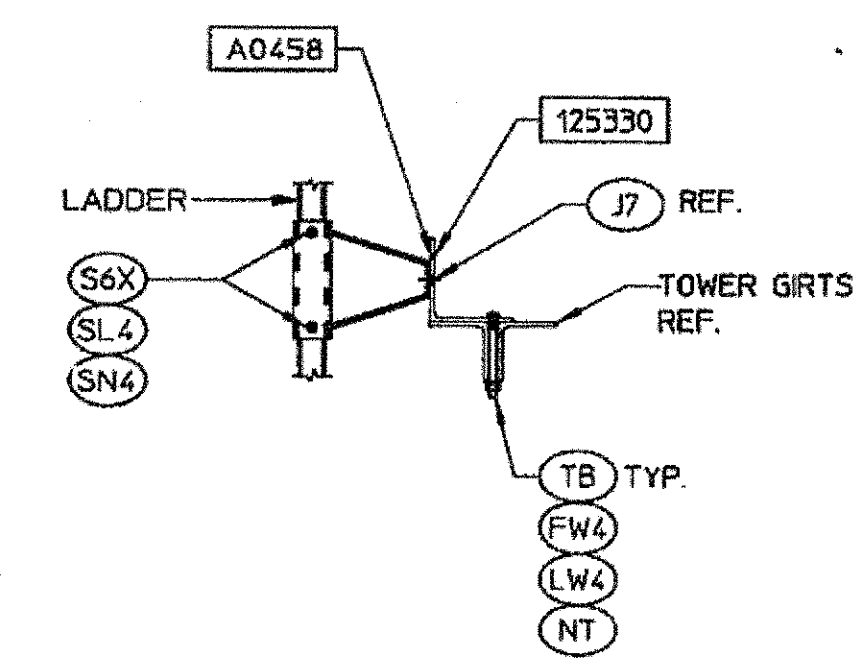
LADDER MOUNTING DETAIL L6
TYPICAL 3/4" x 1'-0"



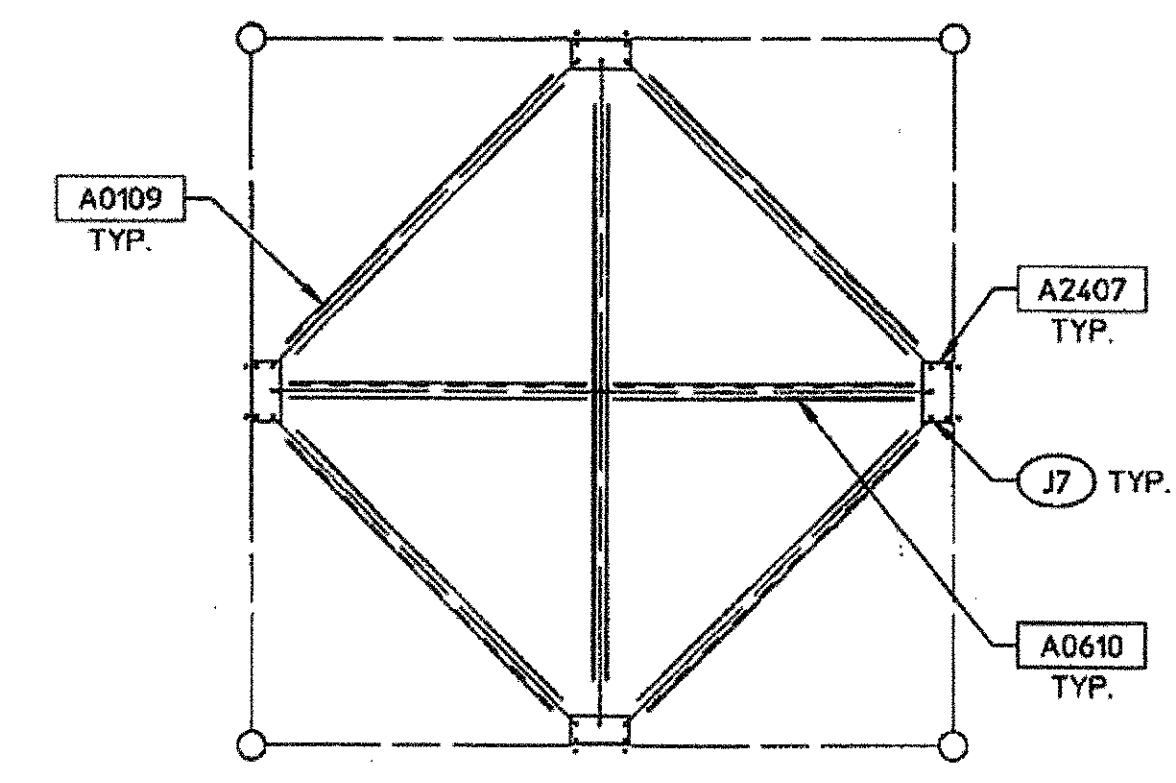
INTERNAL BRACE DETAIL 2
FG1 1/4" x 1'-0"



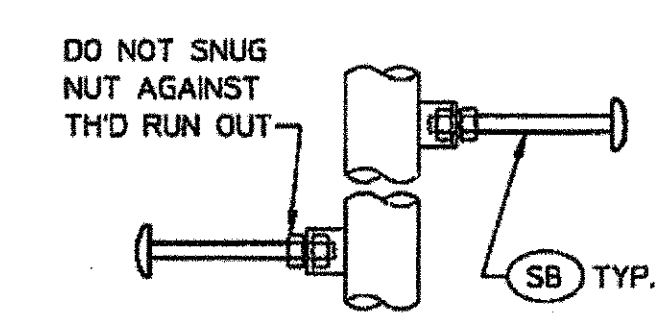
VERTICAL BRACE DETAIL S3
JS1 NTS



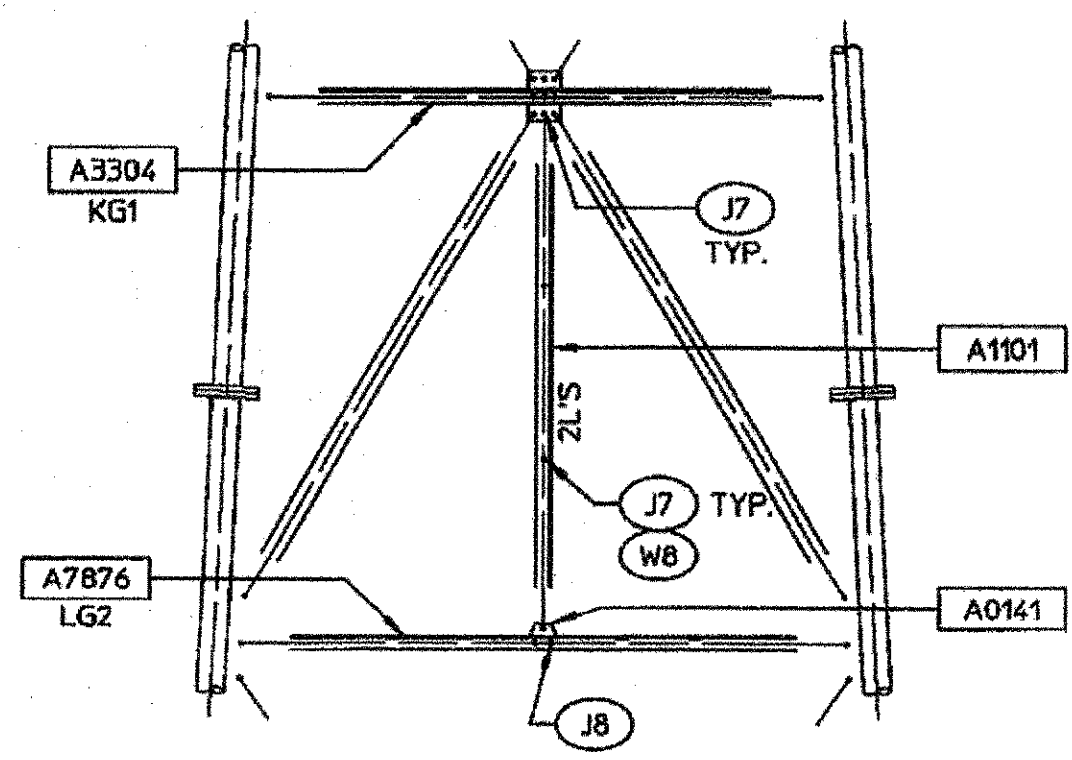
SECTION Z-Z LADDER STANDOFF
3/4" x 1'-0"



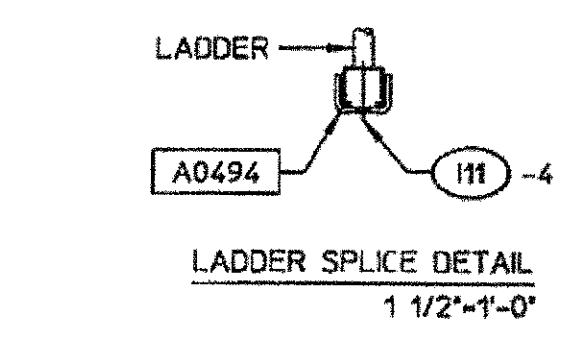
INTERNAL BRACE DETAIL 3
GG1 1/4" x 1'-0"



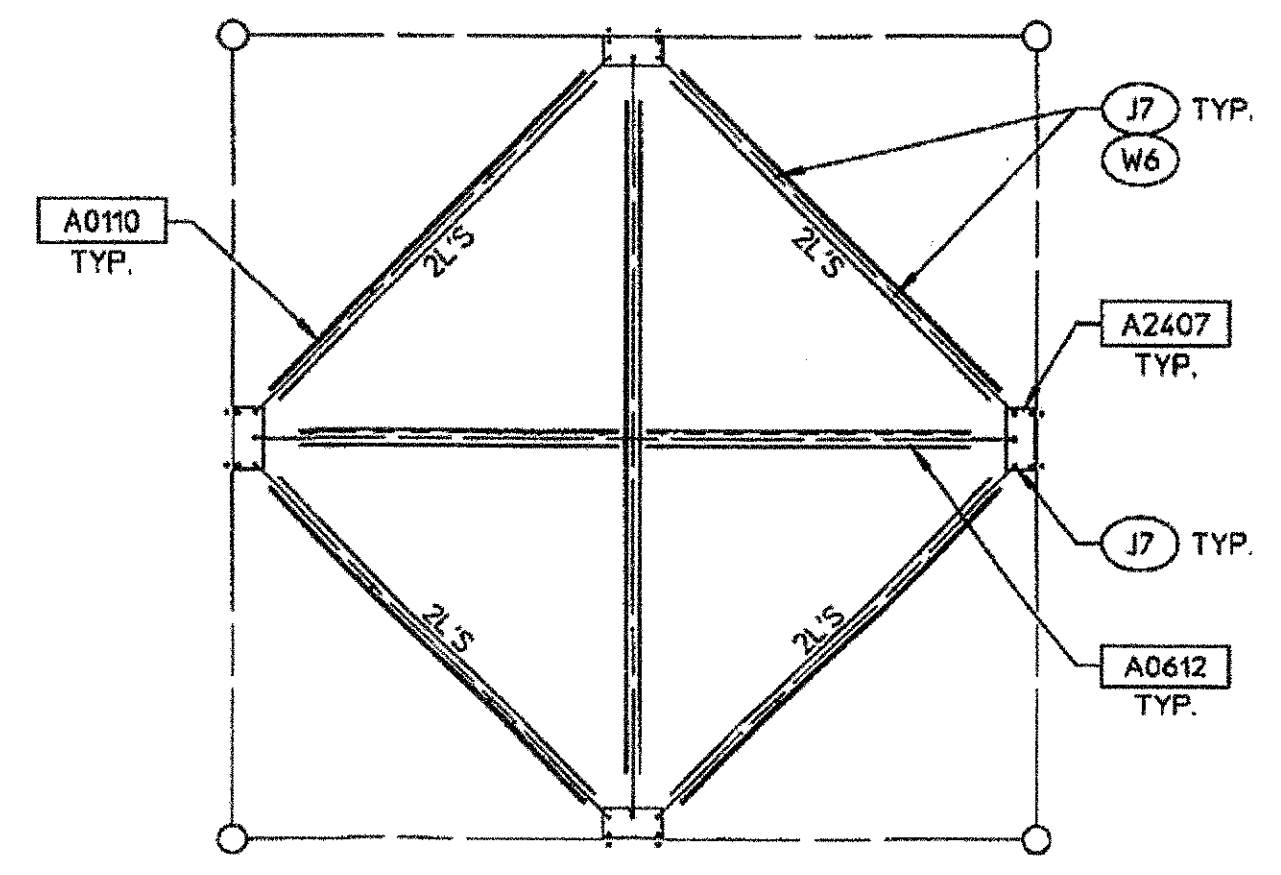
STEP BOLT INSTALLATION



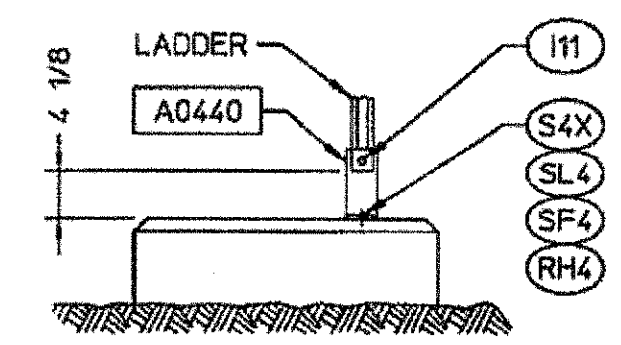
VERTICAL BRACE DETAIL S4
KS1 NTS



LADDER SPLICE DETAIL
1 1/2" x 1'-0"



INTERNAL BRACE DETAIL 4
HG1 1/4" x 1'-0"



LADDER BASE DETAIL
3/4" x 1'-0"

REV	DESCRIPTION	DATE	BY/CK
A	RELEASED DRAWING TO THE SHOP		

INSTALLATION DETAILS
ARIZONA DEPT OF PUBLIC SAFETY
SITE: THOMPSON PEAK, AZ

valmont
STRUCTURES
1-877-467-4763 Plymouth, IN
1-800-547-2151 Salem, OR

BY SJ	CK MF	D-125352-2
DATE 13JUN08		
S.O. 11841-08	SHEET: 2 OF 6	