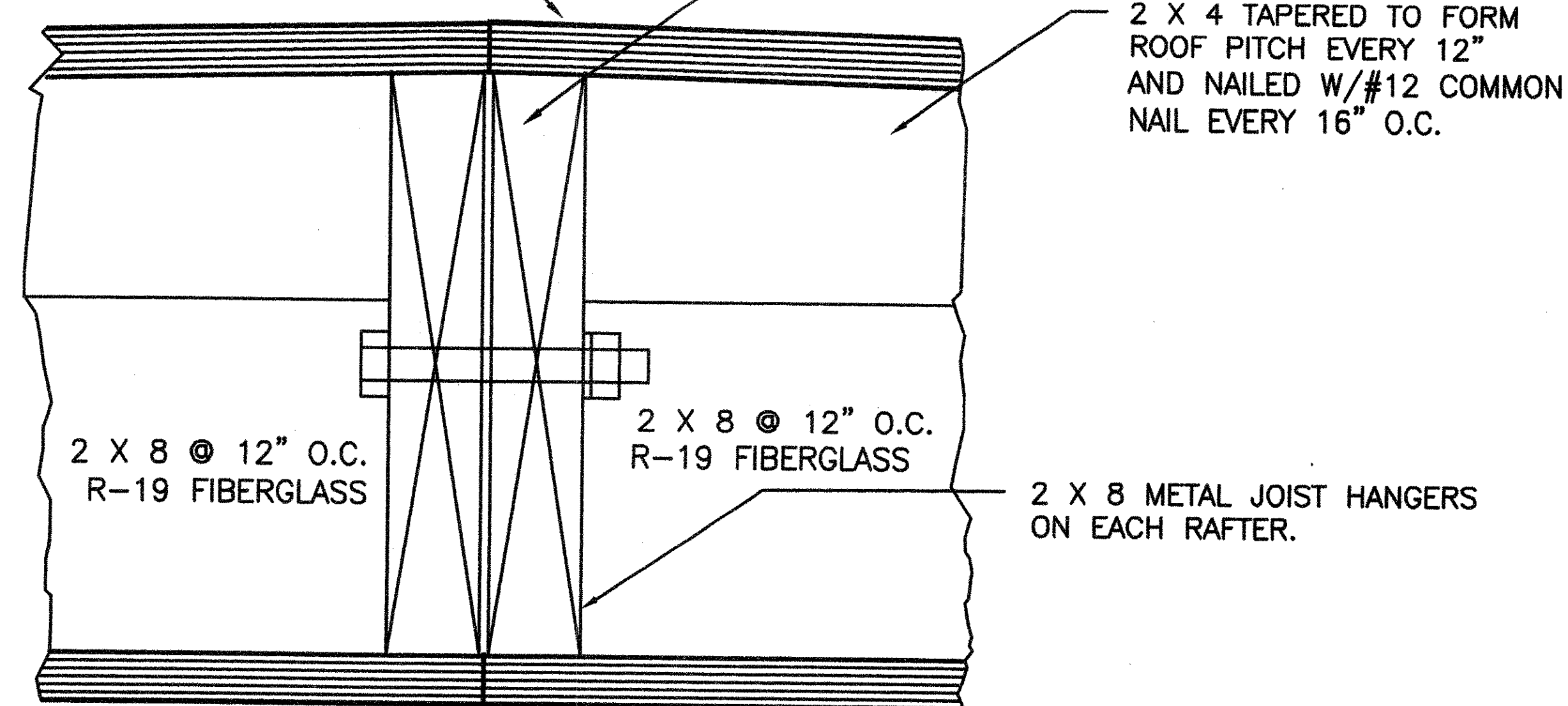


3/4" CDX PLYWOOD NAILED TO 2 X 4 EVERY 12" W/.131" X 3" NAIL

1 X 12 CONTINUOUS MICROLAM BEAM BOLTED TOGETHER W/1/2" X 5" BOLT, NUT & F.W. EVERY 12" O.C. OFFSET

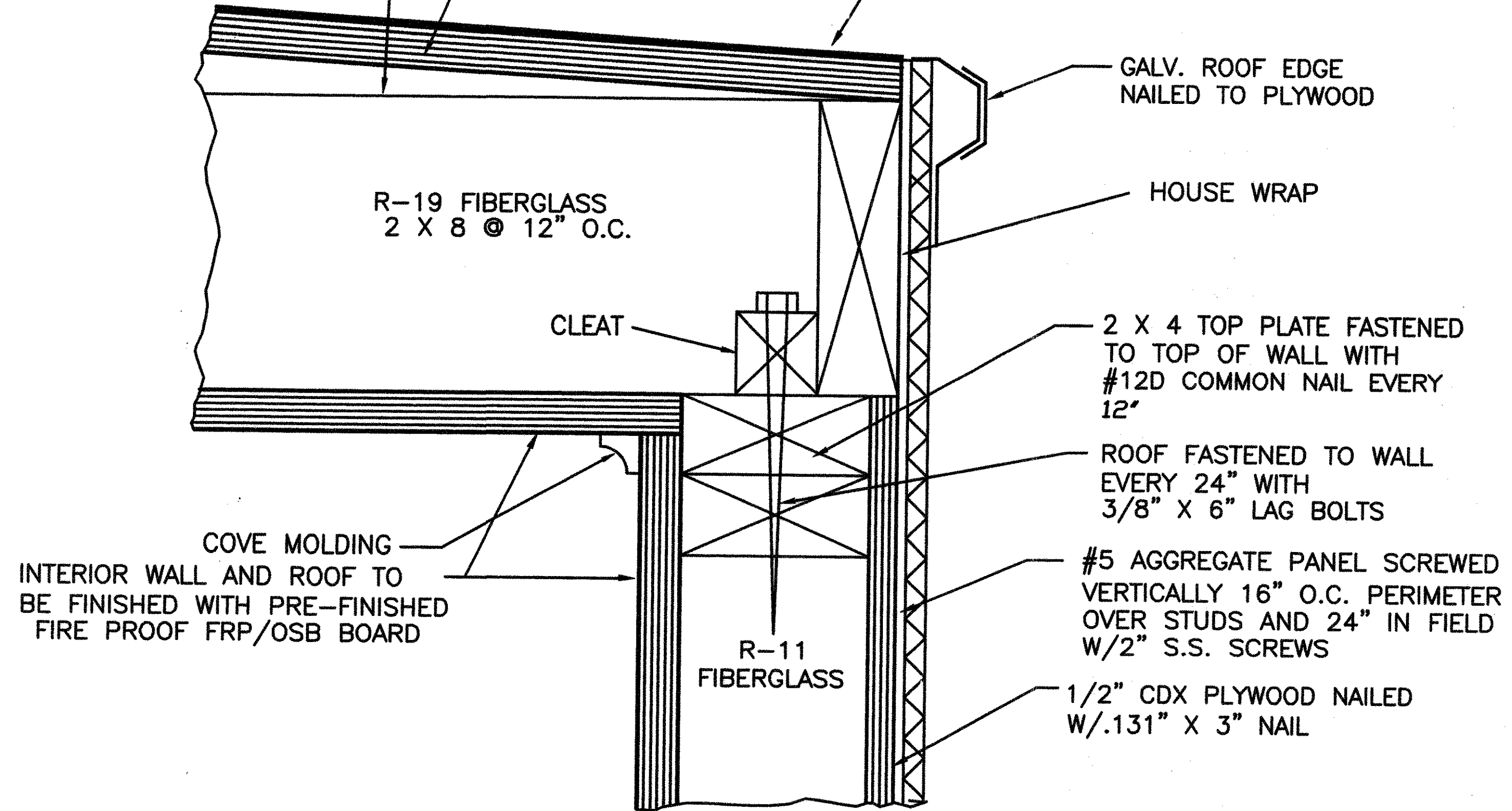


**ROOF ATTACHMENT DETAIL**

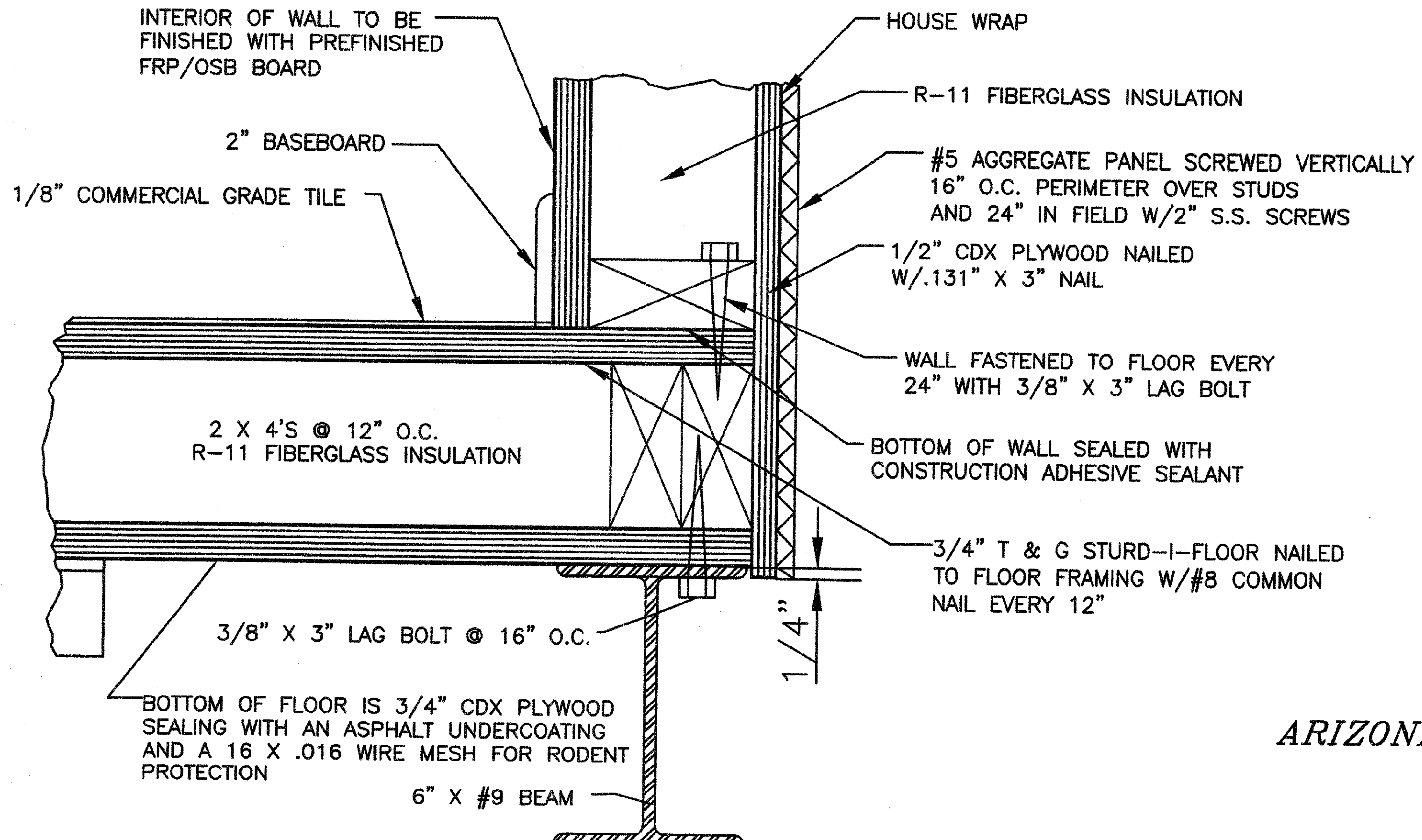
PREFINISHED FRP/OSB BOARD

2 X 4 TAPERED TO FORM ROOF PITCH EVERY 12" AND NAILED W/#12D COMMON NAIL 12" O.C.

3/4" CDX PLYWOOD NAILED TO 2 X 4 EVERY 12" W/.131" X 3" NAIL



**WALL TO ROOF DETAIL**



**WALL TO FLOOR DETAIL**

**NOTES:**

**A-139283**

1. ALL PLYWOOD SHALL BE NAILED EVERY 12" O.C. AND 6" AROUND PERIMETER.
2. HOUSE WRAP TO BE INSTALLED 1/8" BELOW SHEETING AND EXTEND TO TOP OF TOP PLATE. ALL SEAMS TO BE LAPPED 6" AND TAPED W/SEAM TAPE.
3. ALL SCREW HOLES THROUGH PANELS FILLED WITH POLYURETHANE CAULK PRIOR TO SCREW BEING INSTALLED.

**PROJECT**  
**ARIZONA DEPT. PUBLIC SAFETY**  
**JOB NO.**  
**0712-01**  
**SITE NAME**  
**KEYSTONE PEAK &**  
**CASA GRANDE MOUNTAIN, AZ**

<b>BUILDINGS, INC.</b>		
<b>Thermo Bond</b>		
P.O. Box 445 Elk Point, SD		
Scale:	NONE	Title:
Date:	1/31/08	BUILDING CONSTRUCTION DETAILS
Drawn By:	TLH	Revised:
Approved By:		2/4/08
		Drawing Number:
		AGB8015
		COMPUTER AIDED DRAWING AGB8015C
		PAGE 6 OF 9