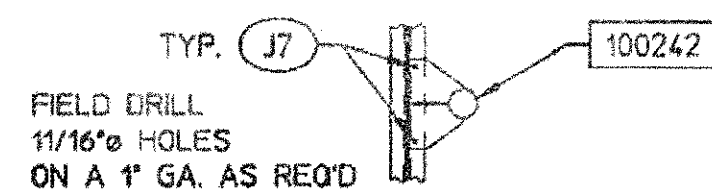
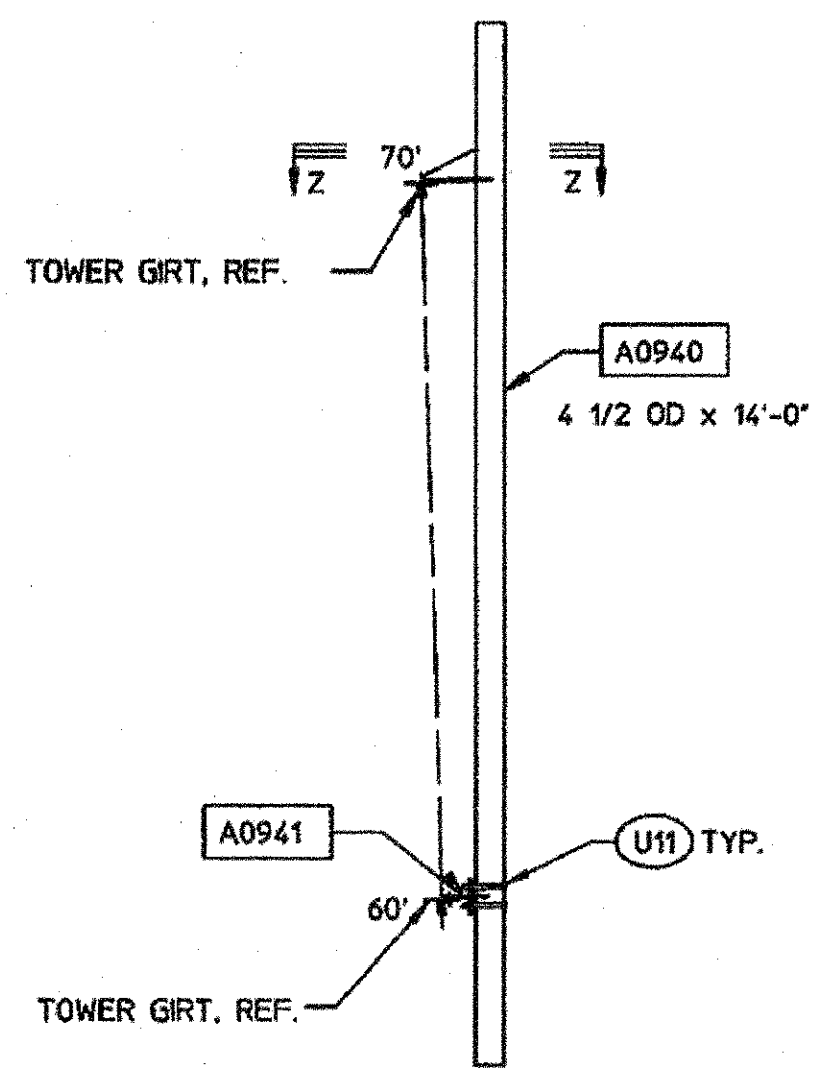
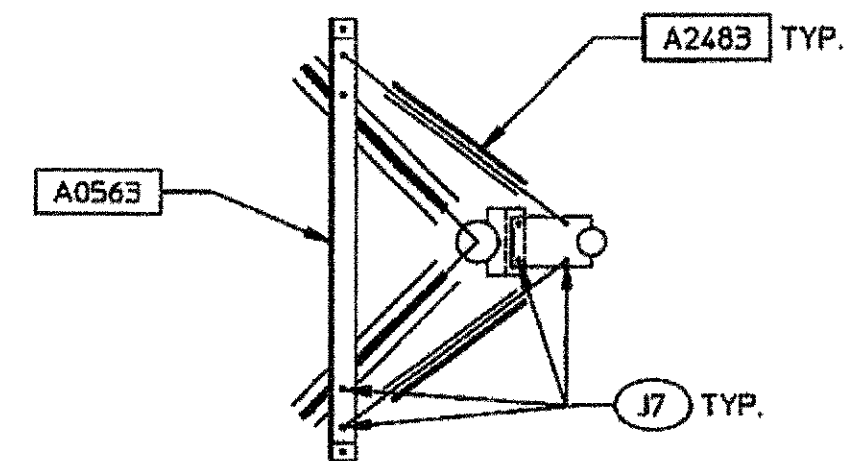


SECTION Z-Z

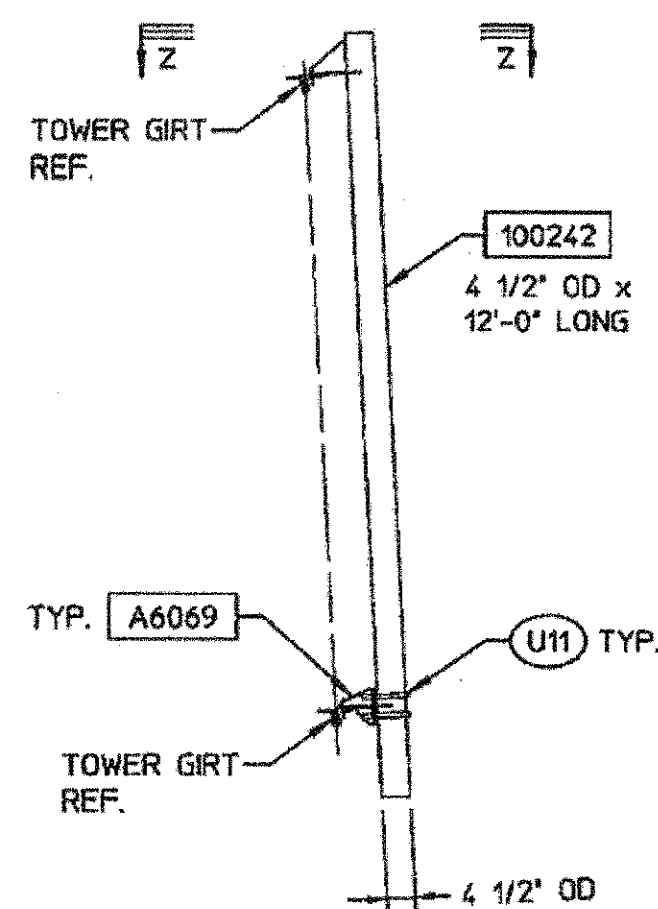


SECTION Z-Z

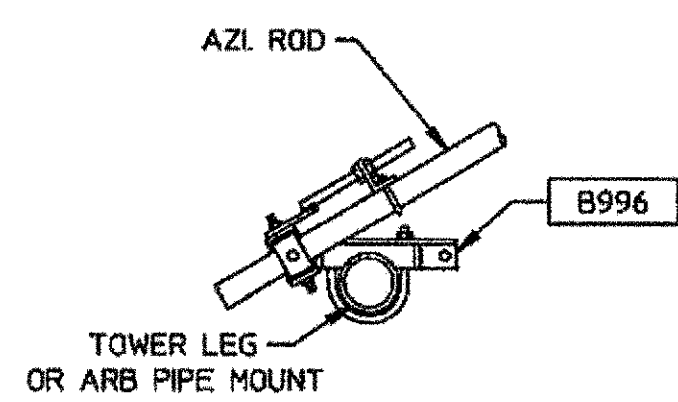


PIPE MOUNT INSTALLATION M1

FOR ANT. @ 70' LEVEL

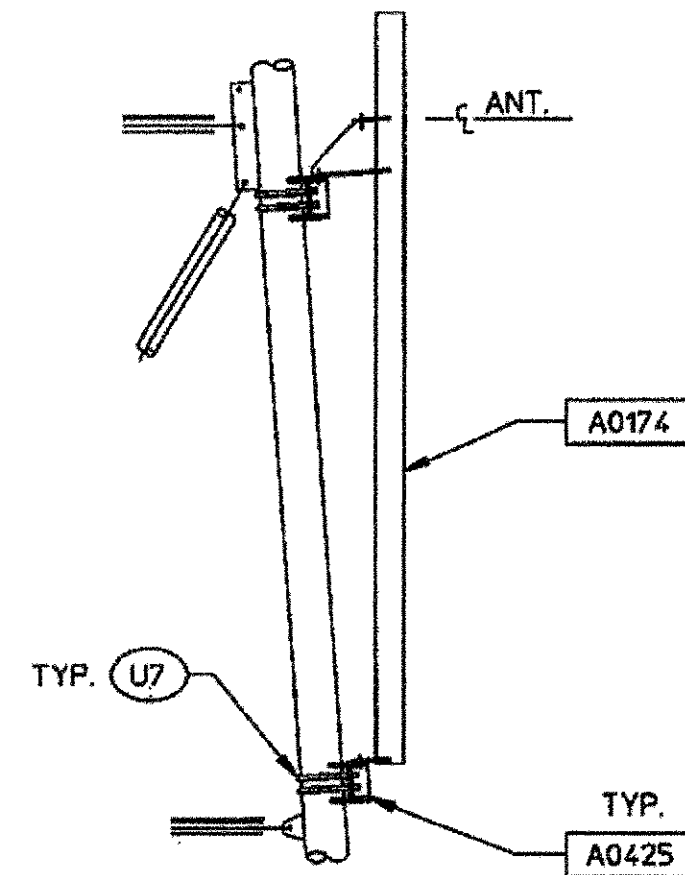


STIFFARM PIPE MOUNT M2



AZIMUTH ROD BRACKET M3

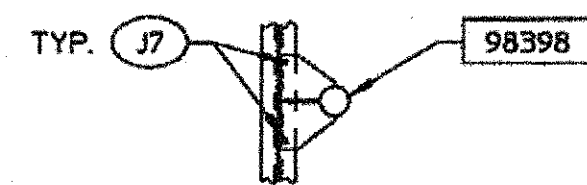
DETAIL M3



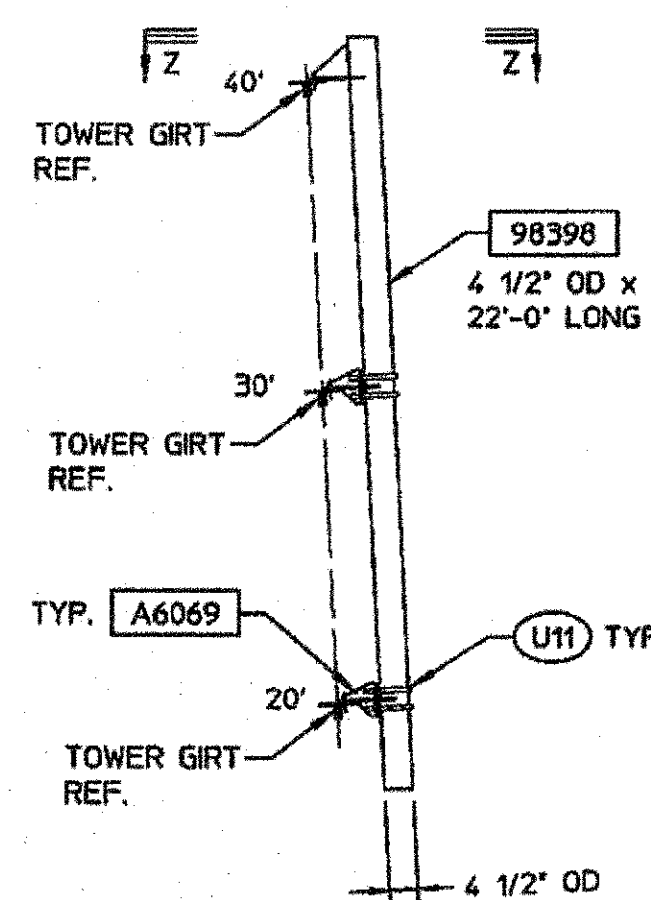
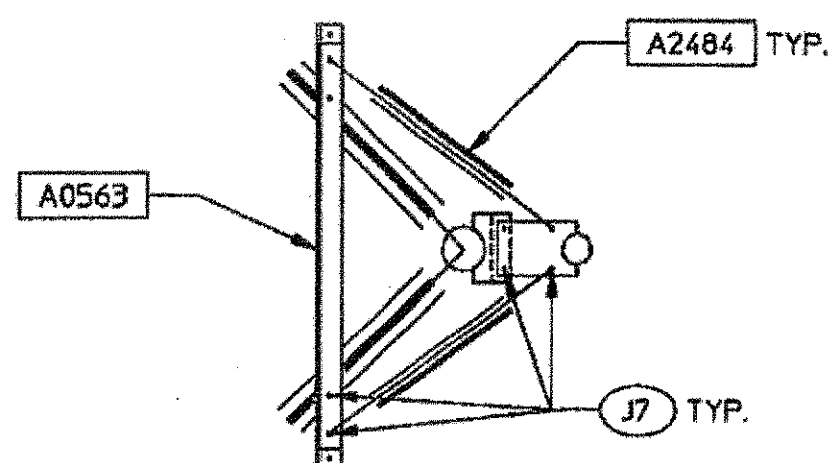
PIPE MOUNT INSTALLATION M4

BAYS 'F' THRU 'Z' (UPPER)
8 5/8" O.D. LEG

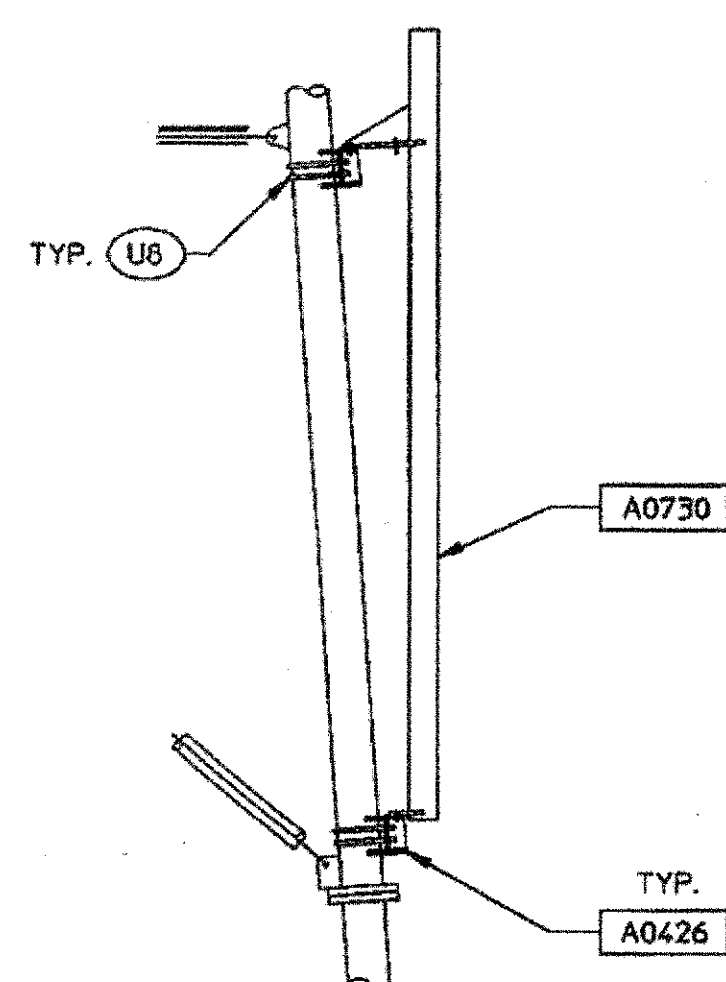
PARTS LIST			
DESIG	MARK	DESCRIPTION	QTY
M1	A0940	PIPE MOUNT PLATE WELDMENT	4
	A0941	PLATE WELDMENT	4
M2	100242	ARB PIPE MOUNT PLATE WELDMENT	11
	A6069	PLATE WELDMENT	11
M3	B996	ARB CHANNEL	15
M4	A0174	PIPE MOUNT SUPPORT ANGLE	2
	A0563	SUPPORT ANGLE	2
	A2483	KICKER ANGLE	4
	A0425	WIDE FLANGE	4
M6	98398	ARB PIPE MOUNT PLATE WELDMENT	1
	A6069	PLATE WELDMENT	2
M7	A0730	PIPE MOUNT SUPPORT ANGLE	2
	A0563	SUPPORT ANGLE	2
	A2484	KICKER ANGLE	4
	A0426	WIDE FLANGE	4
M8	B967	PIPE MOUNT LEG CLAMP KIT	3
	B1401	LEG CLAMP KIT	3



SECTION Z-Z

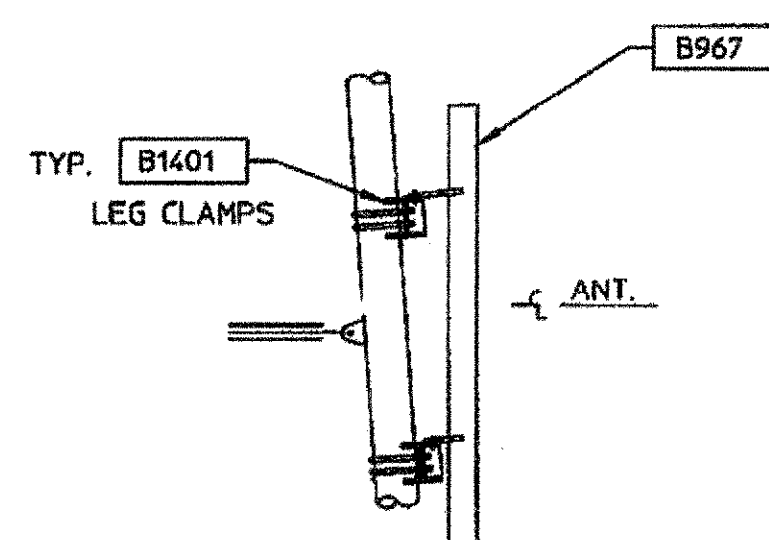


STIFFARM PIPE MOUNT M6



PIPE MOUNT INSTALLATION M7

BAYS 'F' THRU 'Z' (LOWER W/ SAME O.D. LEG)
10 3/4" O.D. LEG



PIPE MOUNT INSTALLATION M8

HARDWARE LIST			
SYM	QTY	DESCRIPTION	
J7	106	5/8" x 1 3/4" G5 BOLT, NUT & L.W.	
U7	8	5/8" x 8 3/4" x 12 U-BOLT ASSEMBLY	
U8	8	5/8" x 10 7/8" x 14 U-BOLT ASSEMBLY	
U11	34	5/8" x 4 5/8" x 7 U-BOLT ASSEMBLY	

RELEASED DRAWING TO THE SHOP	DATE	BY/CK	ANTENNA PIPE MOUNTS ARIZONA DEPT OF PUBLIC SAFETY SITE: THOMPSON PEAK, AZ
DESCRIPTION	DATE	BY/CK	 1-877-467-4763 Plymouth, IN 1-800-547-2151 Salem, OR
REV	DATE	BY/CK	D-125352-6
	13JUN08		
	S.O.	11841-08	SHEET: 6 OF 6