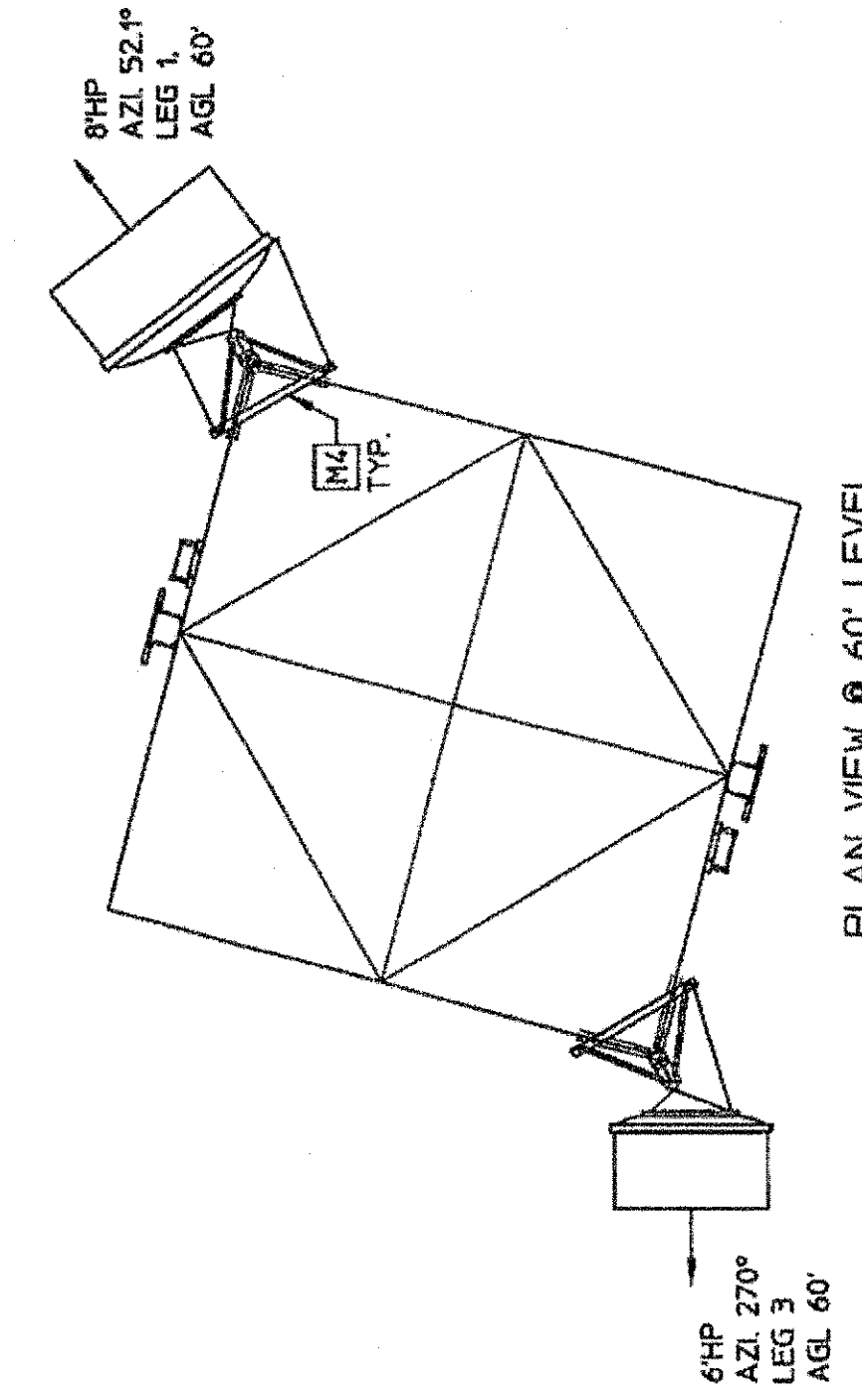
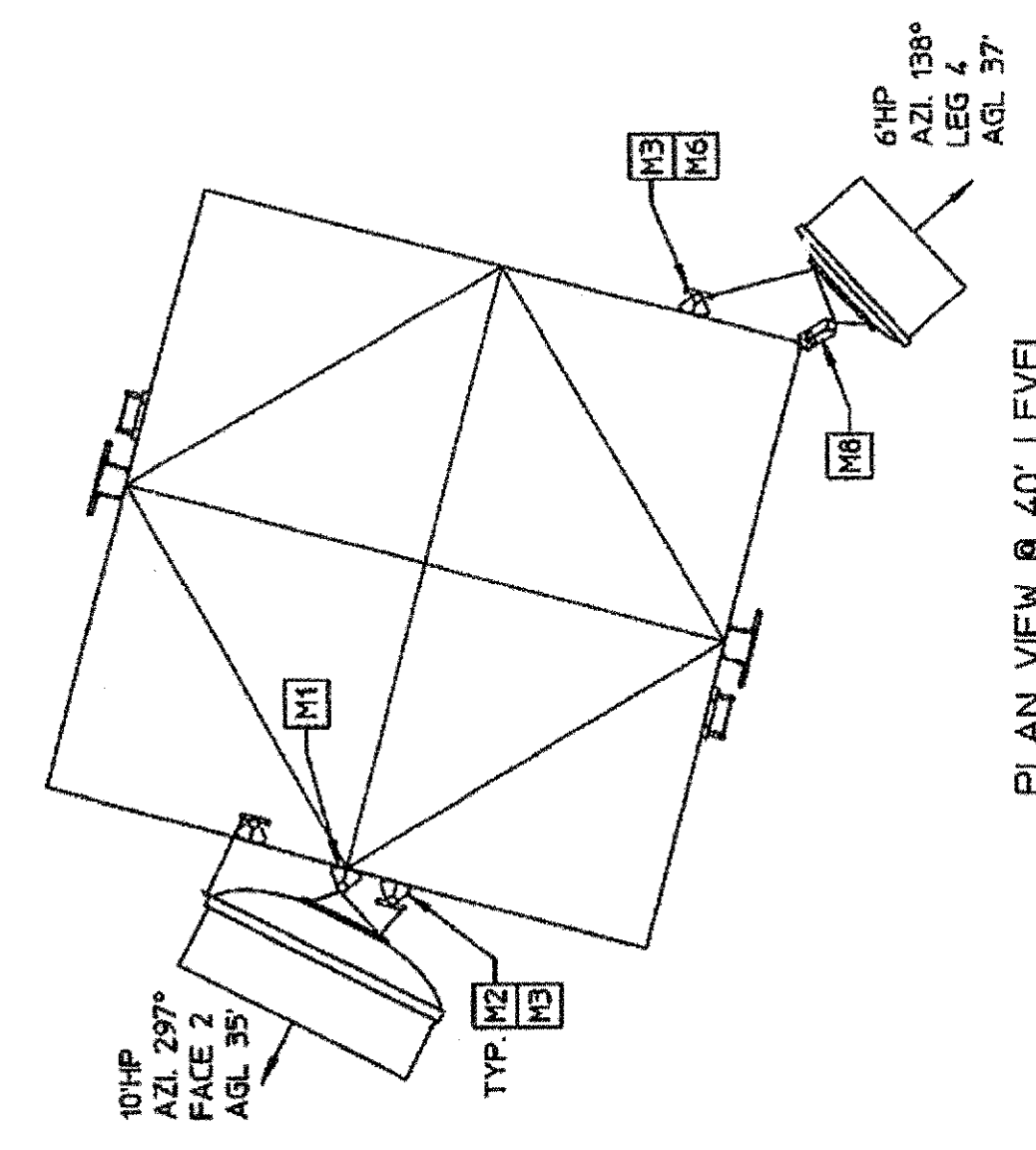


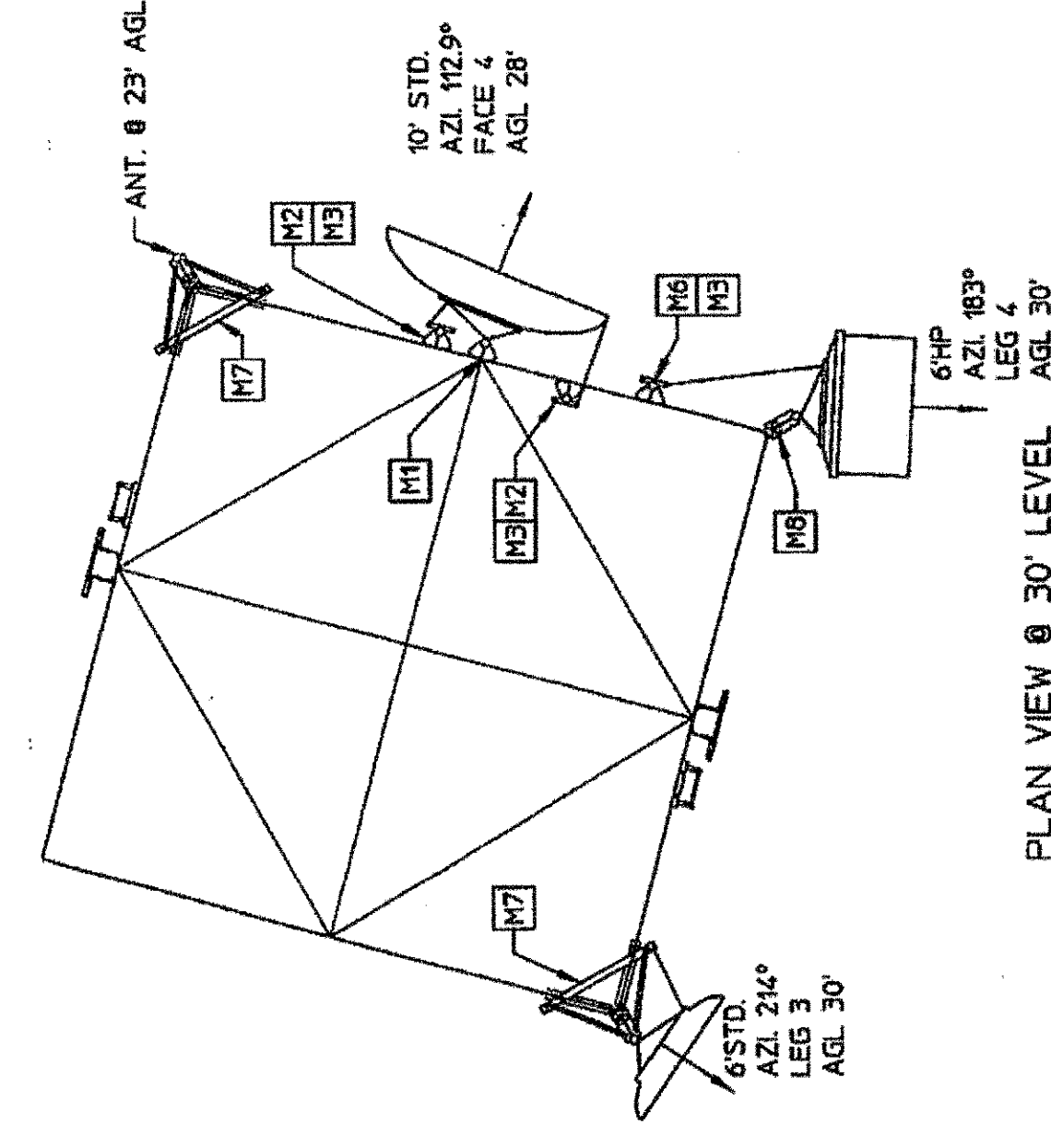
PLAN VIEW @ 70' LEVEL



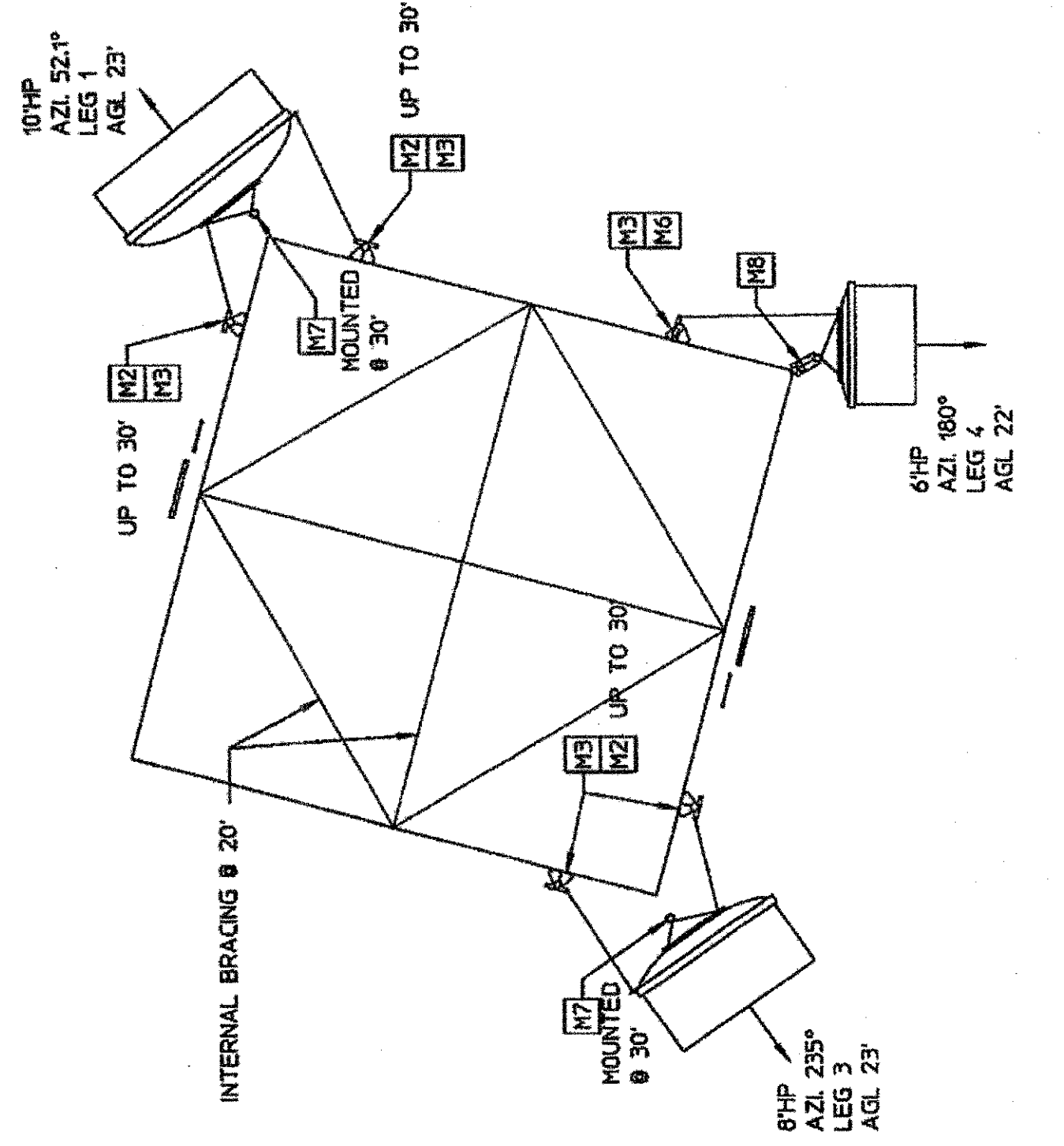
PLAN VIEW @ 60' LEVEL



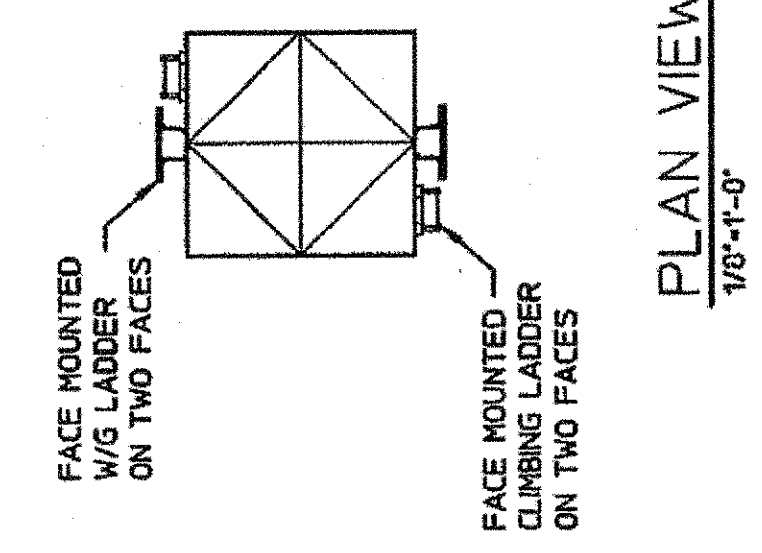
PLAN VIEW @ 40' LEVEL



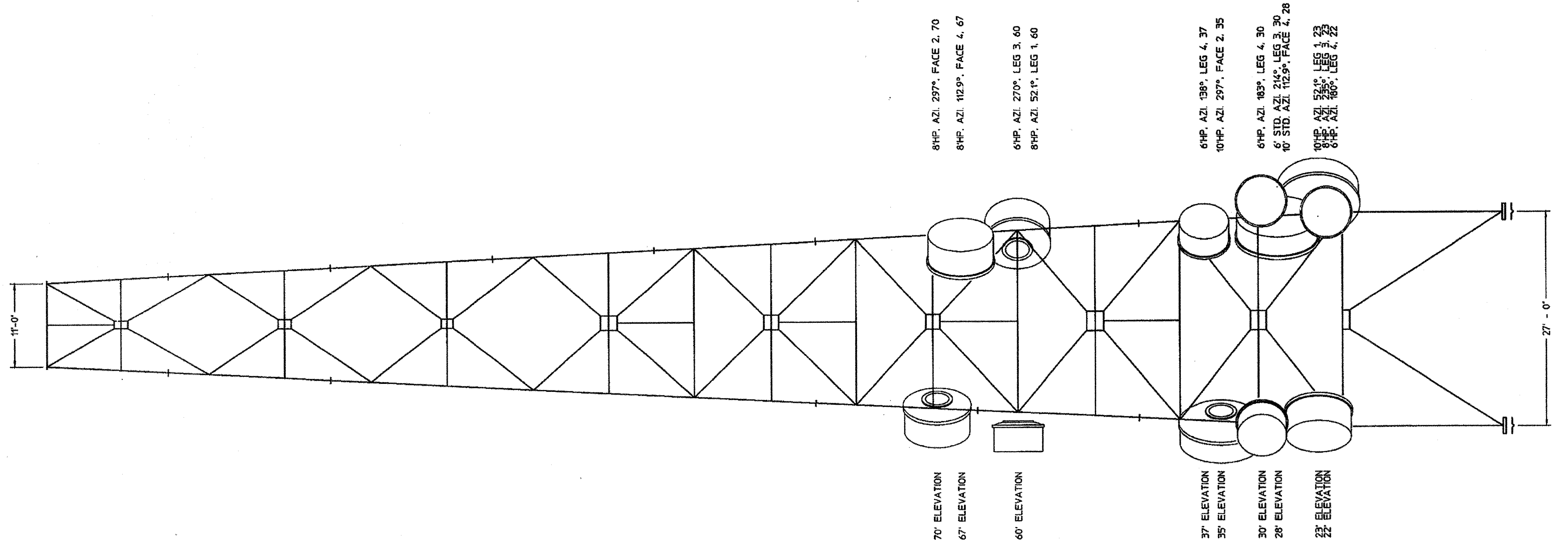
PLAN VIEW @ 30' LEVEL



PLAN VIEW @ 23' LEVEL



PLAN VIEW  
1/8\"/>



REV	DESCRIPTION	DATE	BY	CHK	DATE	BY	CHK
A	RELEASED DRAWING TO SHOP	25AUG08	JURIS				
ANTENNA LAYOUT ARIZONA DEPT OF PUBLIC SAFETY SITE: THOMPSON PEAK, AZ  <b>valmont</b> STRUCTURES 1-877-467-4763 Plymouth, IN 1-800-547-2151 Salem, OR  BY SJ CK MF DATE 13JUN08 S.O. 11841-08 SHEET: 5 OF 6							