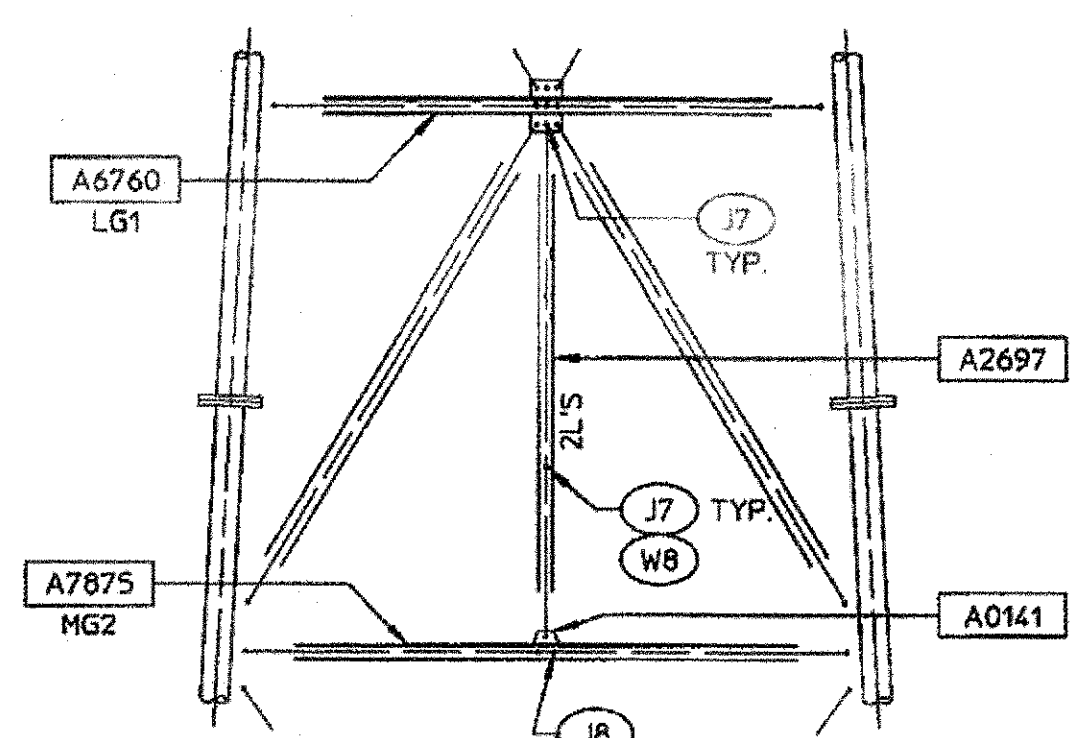
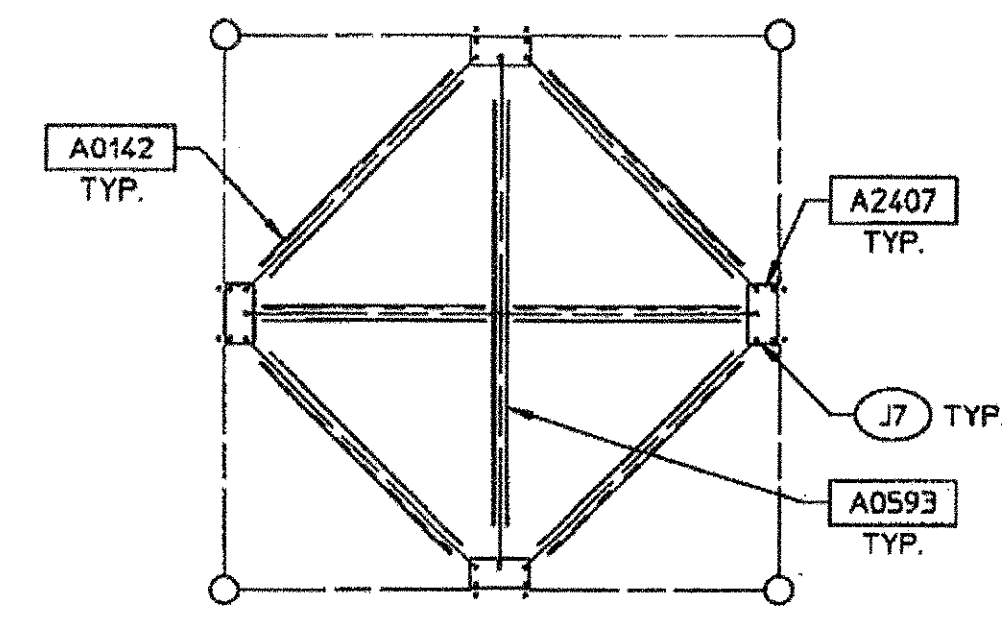


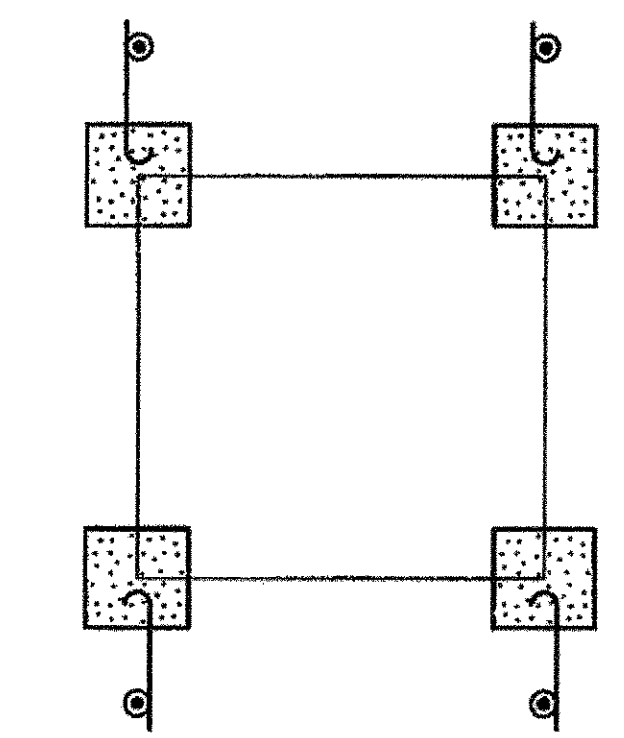
VERTICAL BRACE DETAIL S1 139#  
FS2-FG1 TO FG2 NTS



VERTICAL BRACE DETAIL S5  
LS1 NTS



INTERNAL BRACE DETAIL 1  
FG2 1/4" x 1'-0"

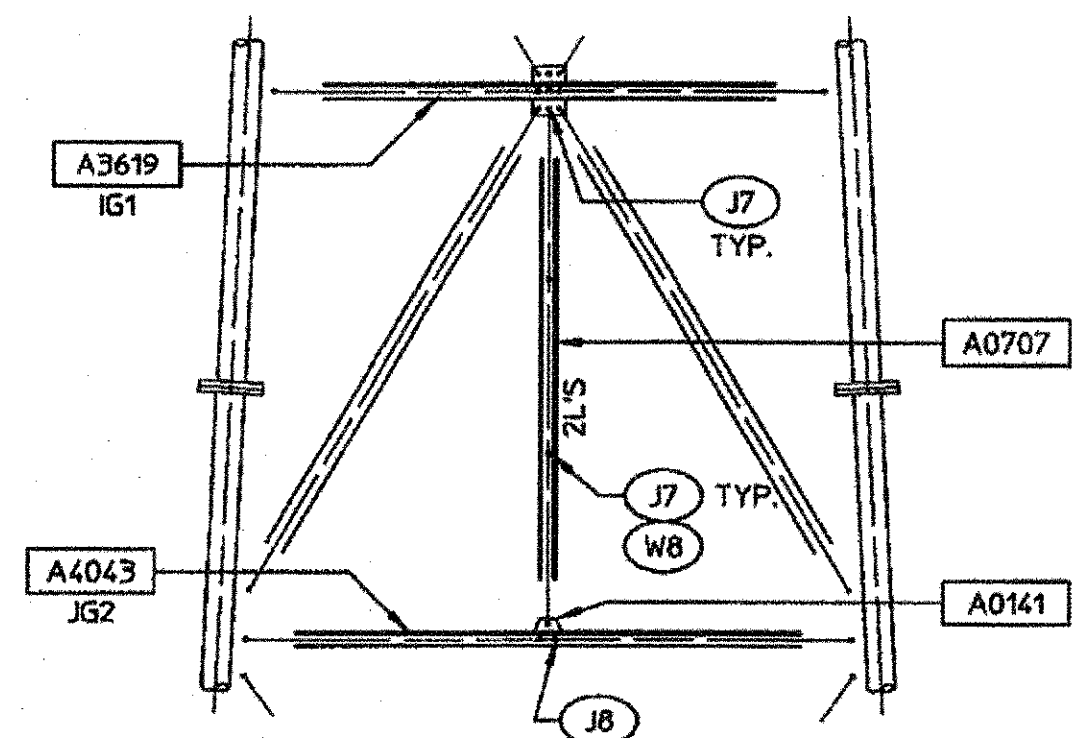


GROUNDING PLAN  
B1011

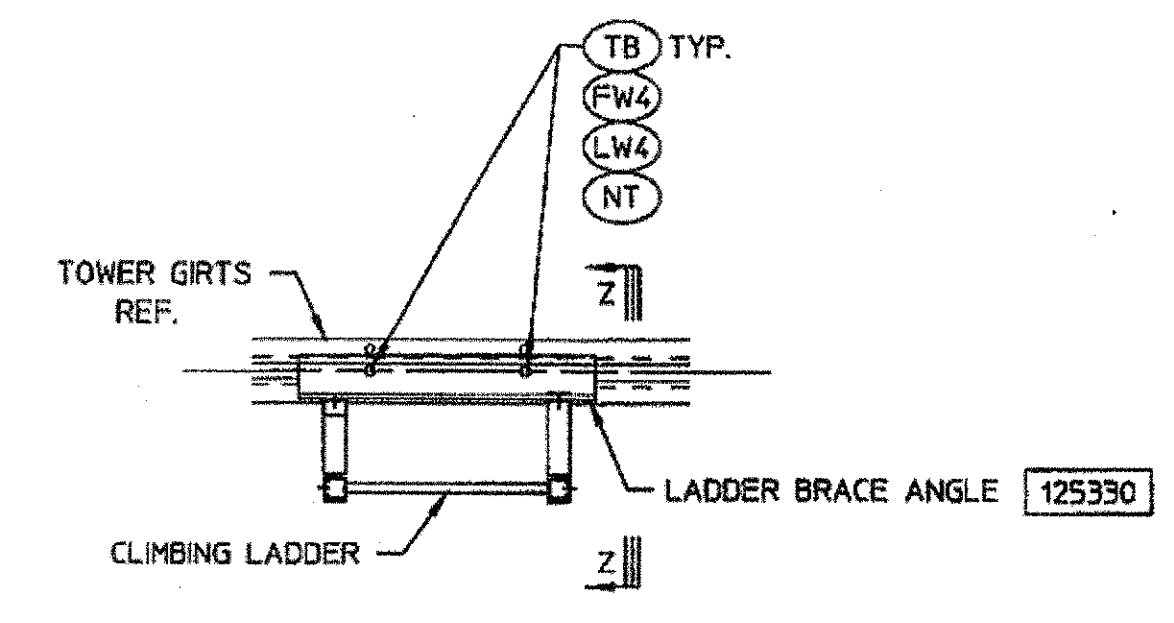
1. DRIVE ENTIRE ROD VERTICALLY WITH TOP APPROXIMATELY 12" BELOW GRADE.
2. WHERE RODS CANNOT BE DRIVEN, LAY ROD IN HORIZONTAL DITCH AND COVER WITH AVAILABLE SOIL.
3. AVOID SHARP BENDS IN GROUNDING WIRE. BENDS MUST BE 8" RADIUS MINIMUM.

SYM	QTY	DESCRIPTION
-	40'	#6 BARE SOLID COPPER WIRE
⊙	4	5/8" x 8' COPPER CLAD GROUND ROD
⊙	4	5/8" GROUND ROD CLAMP, COPPER
-	4	GROUNDING LUG, 1/4" x 1 1/4" SS BOLT, NUT, FW, LW & EXT. LW

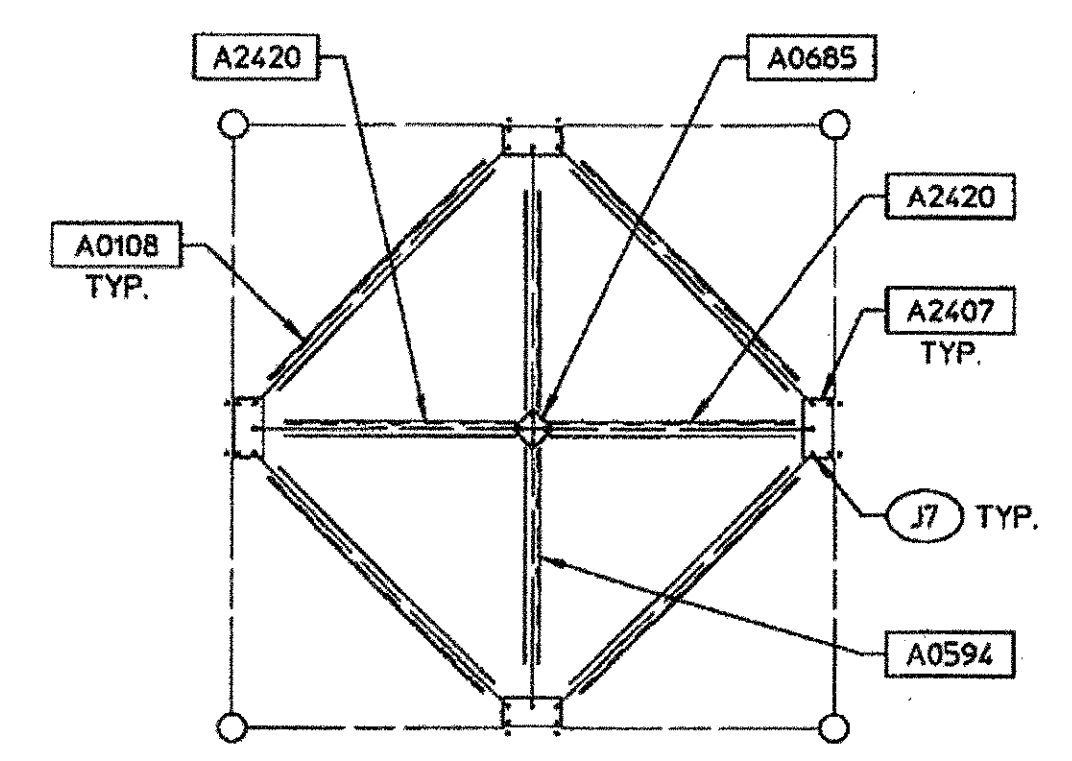
GROUNDING LIST B1011



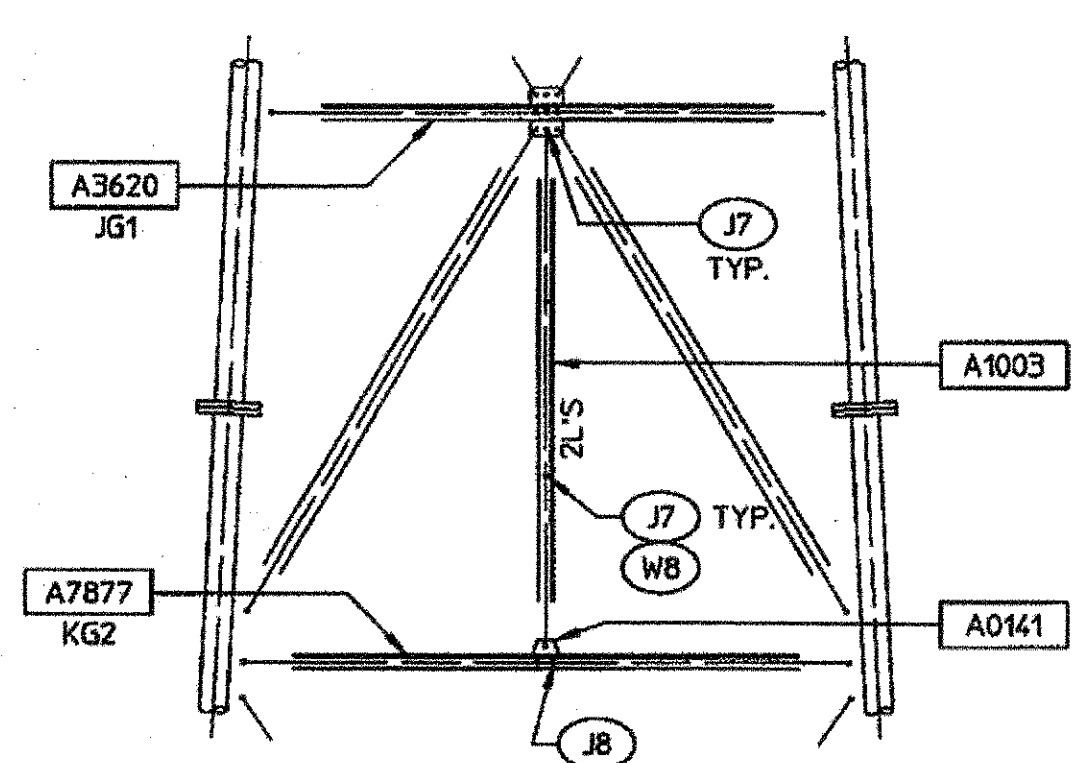
VERTICAL BRACE DETAIL S2  
IS1 NTS



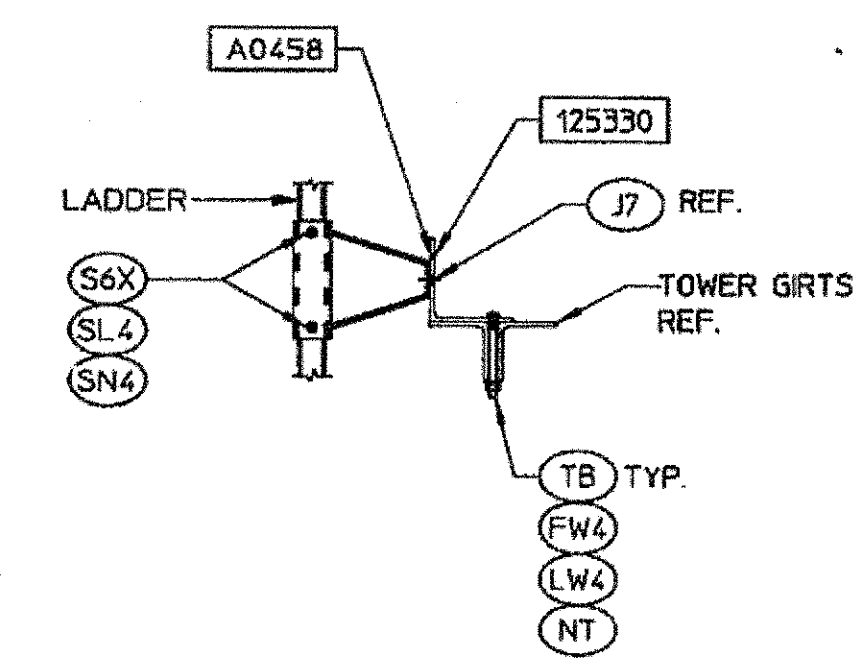
LADDER MOUNTING DETAIL L6  
TYPICAL 3/4" x 1'-0"



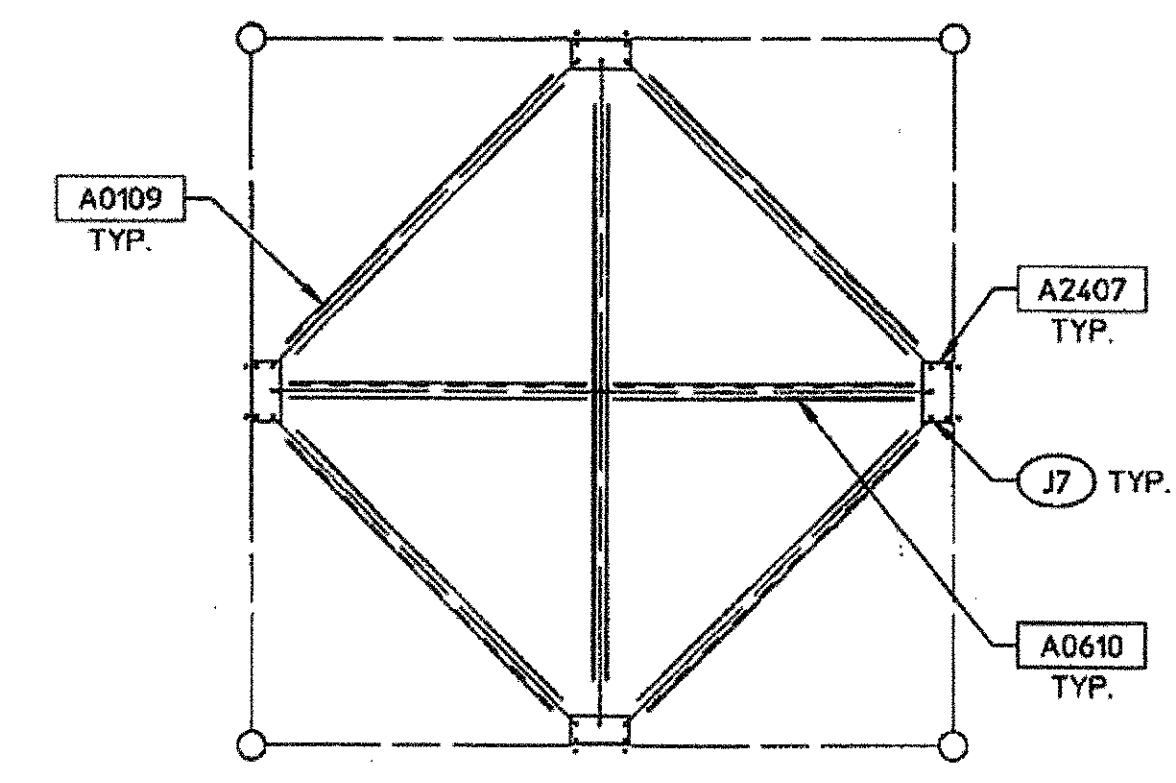
INTERNAL BRACE DETAIL 2  
FG1 1/4" x 1'-0"



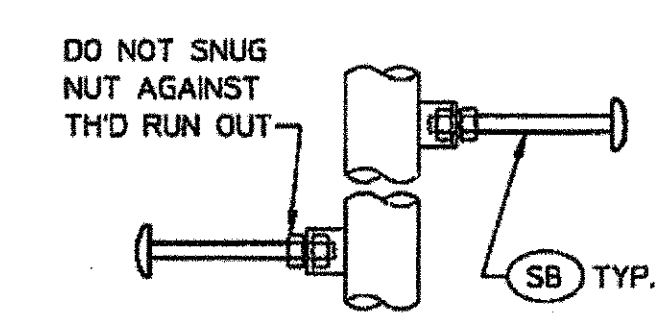
VERTICAL BRACE DETAIL S3  
JS1 NTS



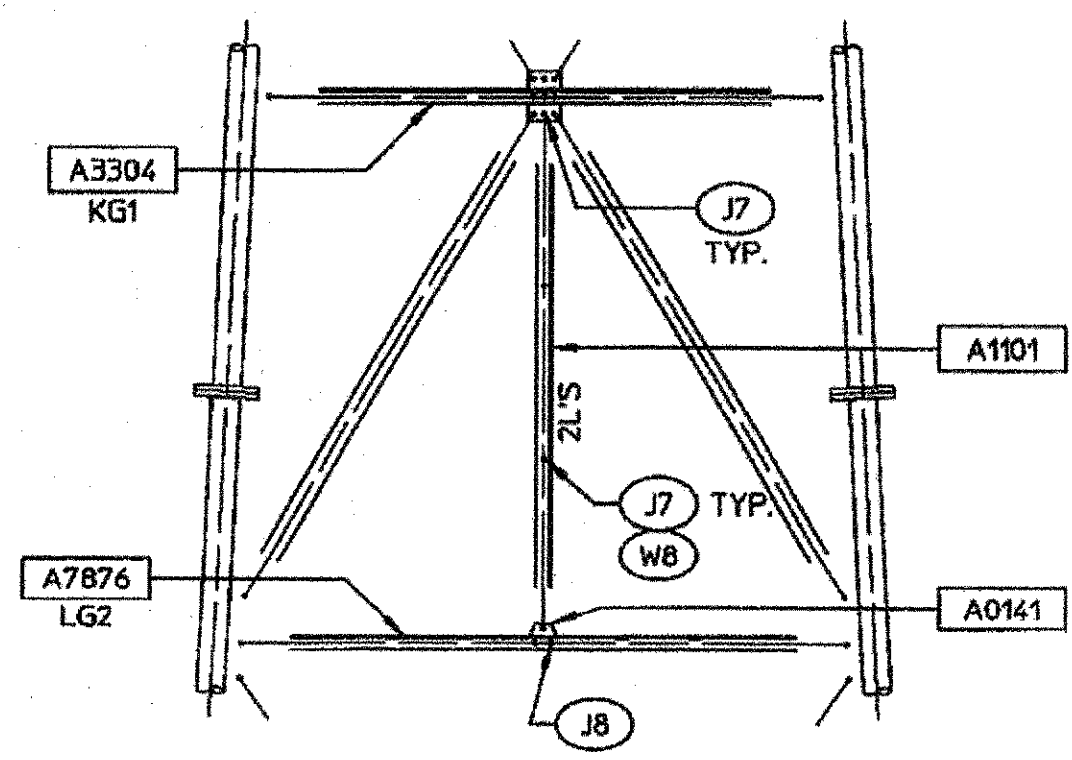
SECTION Z-Z LADDER STANDOFF  
3/4" x 1'-0"



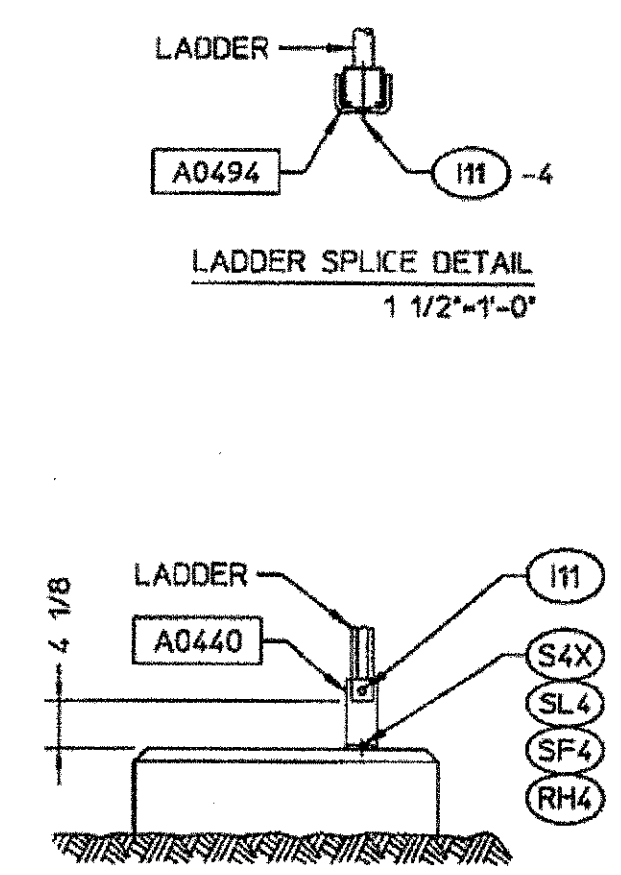
INTERNAL BRACE DETAIL 3  
GG1 1/4" x 1'-0"



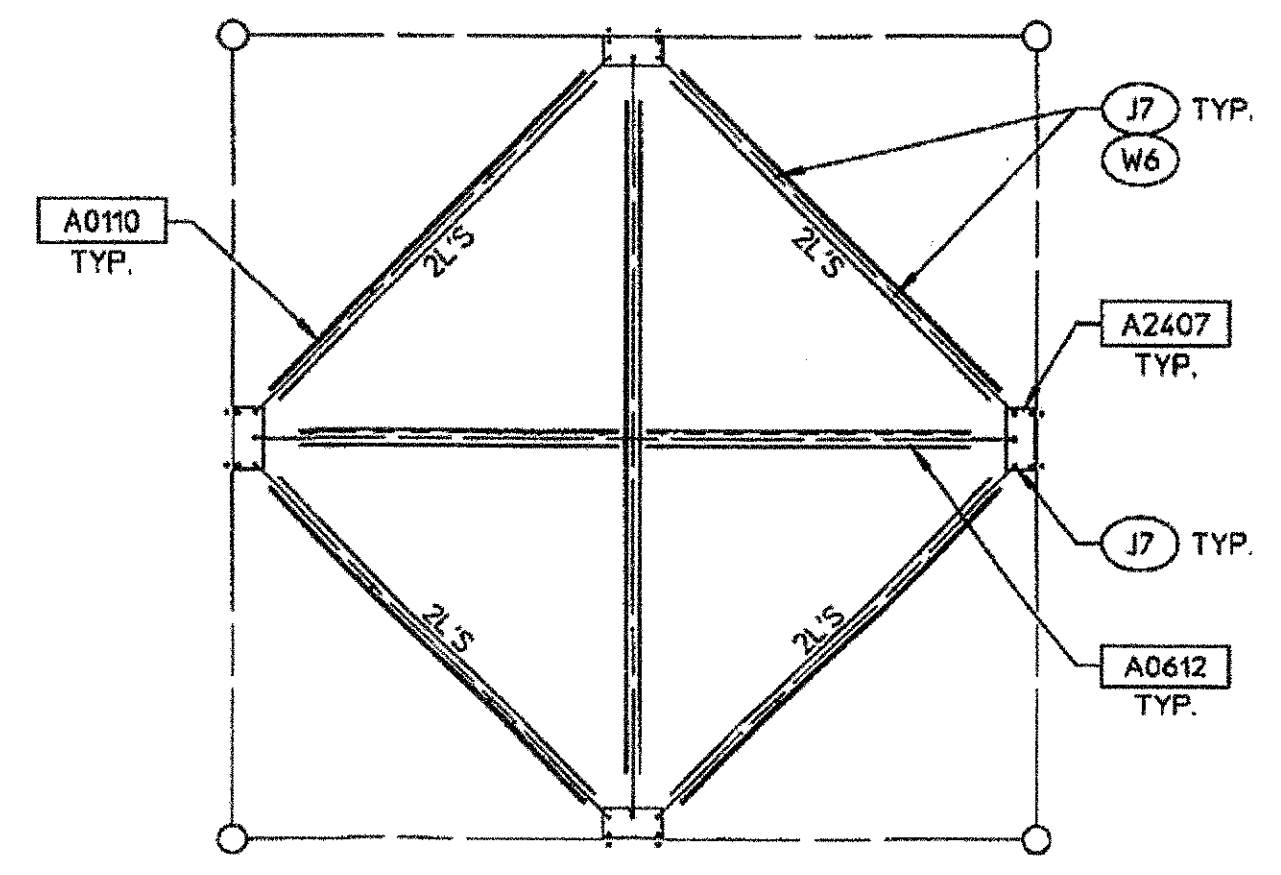
STEP BOLT  
INSTALLATION



VERTICAL BRACE DETAIL S4  
KS1 NTS



LADDER SPICE DETAIL  
1 1/2" x 1'-0"



INTERNAL BRACE DETAIL 4  
HG1 1/4" x 1'-0"

REV	DESCRIPTION	DATE	BY/CK
A	RELEASED DRAWING TO THE SHOP		

INSTALLATION DETAILS  
ARIZONA DEPT OF PUBLIC SAFETY  
SITE: THOMPSON PEAK, AZ

**valmont**  
STRUCTURES  
1-877-467-4763 Plymouth, IN  
1-800-547-2151 Salem, OR

BY SJ	CK MF	D-125352-2
DATE 13JUN08		
S.O. 11841-08	SHEET: 2 OF 6	