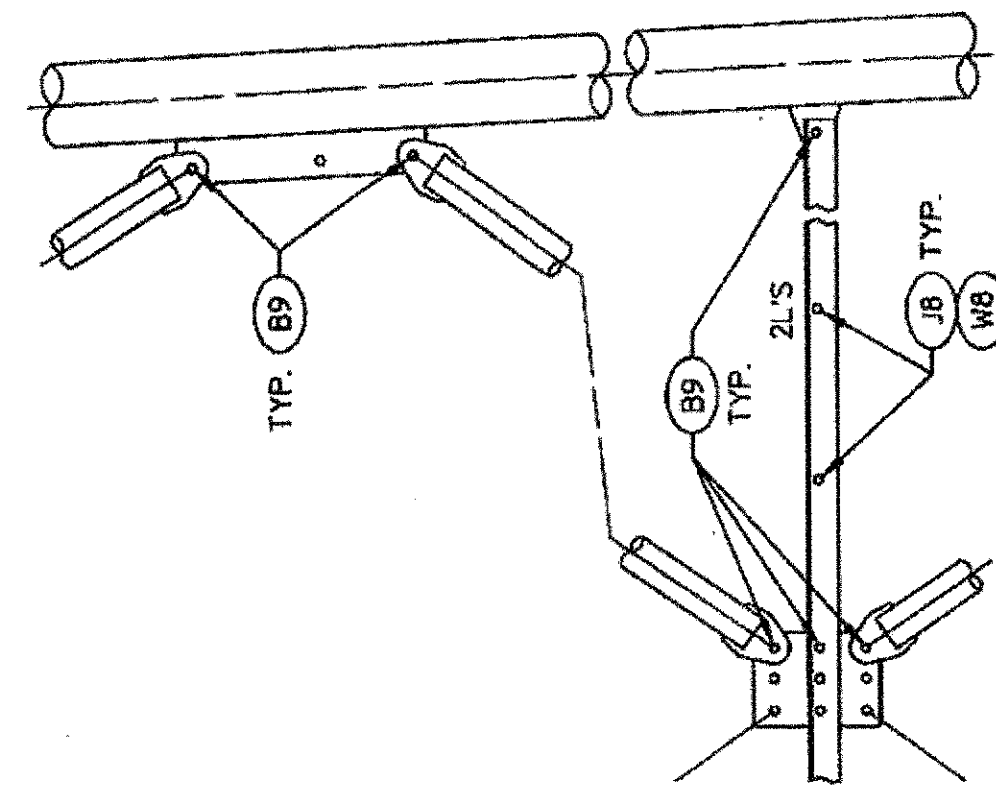


PARTS LIST

BAY	MARK	DESCRIPTION	QTY
FLG	A0566	FLANGE CAP-4 1/2	1
CAP	B564	LT. ROD ASSY	4
F	A7805B	PIPE LEG	8
	A7884	ANGLE GRT	8
	A3284	ANGLE GRT	8
	A1553	PIPE DIAGONAL	8
	A1552	PIPE DIAGONAL	8
	A0447	PLATE	4
G	A0395B	PIPE LEG	4
	A2400	ANGLE GRT	8
	A1155	PIPE DIAGONAL	8
	A1554	PIPE DIAGONAL	8
	A0448	PLATE	4
H	A0395B	PIPE LEG	4
	A1445	ANGLE GRT	8
	A1556	PIPE DIAGONAL	8
	A0449	PLATE	4
I	A3543B	PIPE LEG	4
	A3619	ANGLE GRT	8
	A2953	PIPE DIAGONAL	8
	A0450	PIPE DIAGONAL	8
	A0451	PLATE	4
J	A7873B	PIPE LEG	4
	A4043	ANGLE GRT	8
	A3620	ANGLE GRT	8
	A7879	PIPE DIAGONAL	8
	A7878	PIPE DIAGONAL	8
	A0451	PLATE	4
K	A7874B	PIPE LEG	4
	A7877	ANGLE GRT	8
	A3304	ANGLE GRT	8
	A3116	PIPE DIAGONAL	8
	A7851	PIPE DIAGONAL	8
	A0446	PLATE	4
L	A7873B	PIPE LEG	4
	A7876	ANGLE GRT	8
	A6760	ANGLE GRT	8
	A3242	PIPE DIAGONAL	8
	A0447	PLATE	4
M	A7873B	PIPE LEG	4
	A7875	ANGLE GRT	8
	A552	ANGLE GRT	8
	A5245	PIPE DIAGONAL	8
	A0446	PLATE	4
N	A7868	PIPE LEG	4
	A7871	ANGLE GRT	8
	A7869	PIPE DIAGONAL	8
	A2190	DRAIN PLATE	4
LAD	A0440	BASE CLIP ANGLE	4
	A0455	LADDER SECT - 15'	14
	A0456	LADDER SECT - 20'	2
	A0458	LADDER SECT - 25'	36
	A0454	STANDOFF	32
	A0454	SPICE	32
	A0454	LADDER BRACE	18
S1	A7885	ANGLE	8
S1	A0141	PLATE	8
S2	A0707	ANGLE	8
S2	A0141	PLATE	4
S3	A1003	ANGLE	4
S3	A0441	PLATE	4
S4	A1001	ANGLE	8
S4	A0441	PLATE	4
S5	A2697	ANGLE	8
S5	A0141	PLATE	4
S6	A0142	ANGLE	4
S6	A0593	ANGLE	2
S6	A2407	PLATE	4
Z	A1008	ANGLE	1
Z	A0594	ANGLE	1
Z	A2220	ANGLE	1
FG1	A0685	PLATE	1
FG1	A2407	PLATE	4
3	A1009	ANGLE	4
3	A0610	ANGLE	2
3	A2407	PLATE	4
4	A0110	ANGLE	8
4	A0441	PLATE	4
4	A0441	PLATE	4
4	A0114	ANGLE	2
4	A1495	ANGLE	2
4	A2407	PLATE	4
5	A0114	ANGLE	2
5	A1495	ANGLE	2
5	A2407	PLATE	4
6	A0113	ANGLE	8
6	A0614	ANGLE	2
6	A2407	PLATE	4
7	A0113	ANGLE	8
7	A0614	ANGLE	2
7	A2407	PLATE	4
8	A1500	ANGLE	8
8	A1496	ANGLE	2
8	A2407	PLATE	4
9	A0114	ANGLE	8
9	A1495	ANGLE	2
9	A2407	PLATE	4
10	A1501	ANGLE	8
10	A1698	ANGLE	2
10	A2407	PLATE	4
11	A0115	ANGLE	8
11	A1697	ANGLE	2
11	A2407	PLATE	4
12	A0115	ANGLE	8
12	A2882	ANGLE	2
12	A2407	PLATE	4
ME2	A2882	ANGLE	4
ME2	A2407	PLATE	4
13	A0116	ANGLE	8
13	A1767	ANGLE	2
13	A2407	PLATE	4
14	A4210	ANGLE	4
14	A4212	ANGLE	4
14	A4209	ANGLE	4
14	A4211	PLATE	4
14	A4207	PLATE	1

HARDWARE LIST

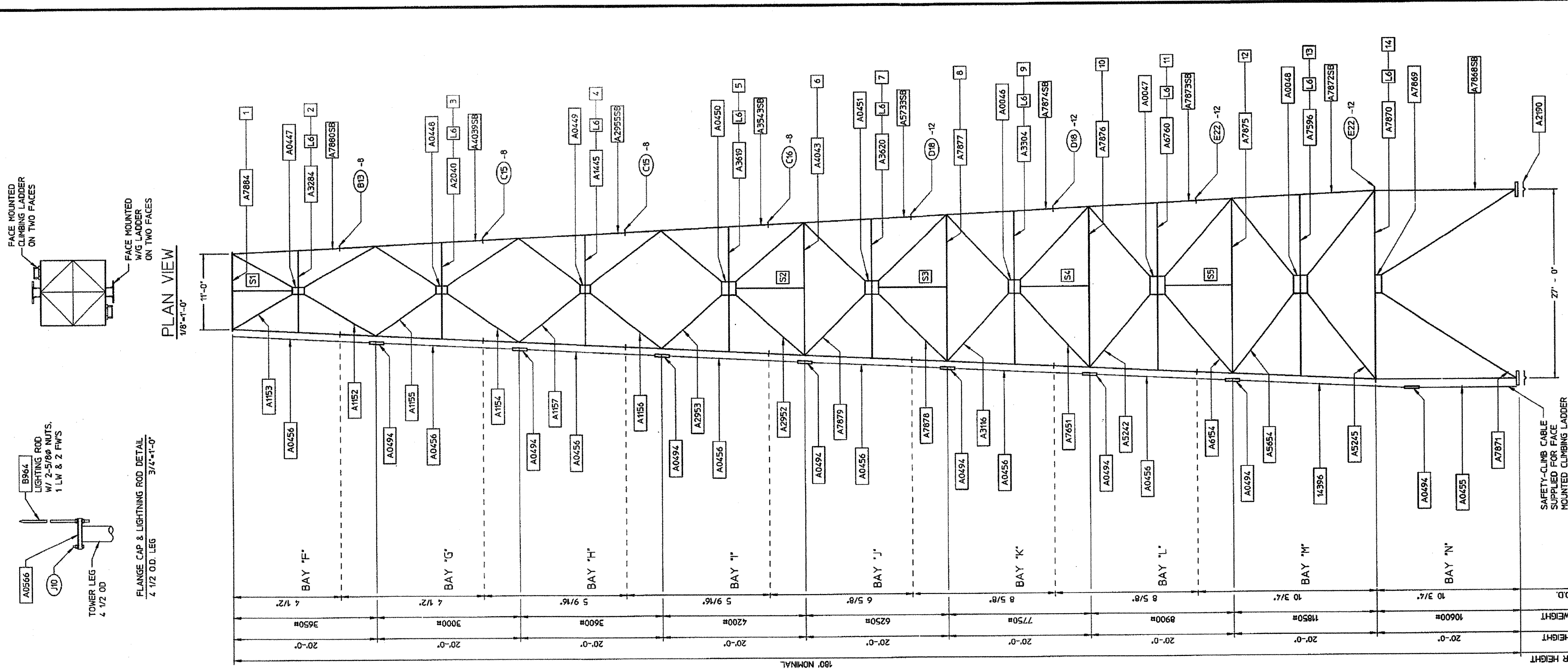
SYMTD	DESCRIPTION
B9	608 5/8" x 2 1/4" A325 BOLT ASSY
B13	32 5/8" x 3 1/4" A325 BOLT ASSY
C11	60 3/4" x 2 3/4" A325 BOLT ASSY
C15	32 3/4" x 2 3/4" A325 BOLT ASSY
D18	56 10" x 5 1/2" A325 BOLT ASSY
E22	132 1/2" x 2 3/4" 65 BOLT ASSY
F17	385 5/8" x 1 3/4" 65 BOLT ASSY
J10	7 5/8" x 2 1/2" 65 BOLT ASSY
J14	6 1/2" x 2 1/2" 65 BOLT ASSY
R44	4 1/2" CONCRETE INSERT
S6X	4 1/2" x 1 1/2" SS BOLT
SF4	4 1/2" SS FLAT WASHER
SN4	72 1/2" SPRING NUT 1 5/8" SQ. RL
WS	80 3/8" THK SPACER W/ 11/64" H
XS	32 5/16" THK SPACER W/ 13/16" H
Z18	36 1/2" x 5 6Z TAP BOLT
FW4	36 1/2" GALV F.W.
N4	36 1/2" GALV NUT
SB	720 5/8" x 8 1/4" STEP BOLT ASSY



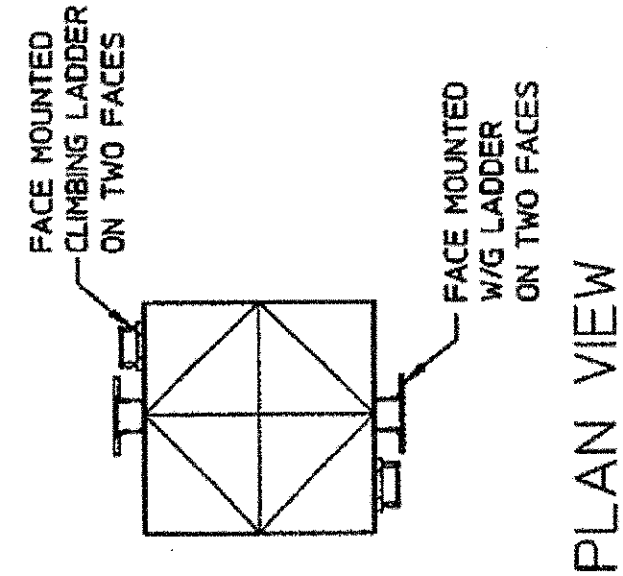
TYPICAL TOWER DETAIL
BAYS F - J 3/4"-1'-0"

TYPICAL TOWER DETAIL
BAYS K - N 3/4"-1'-0"

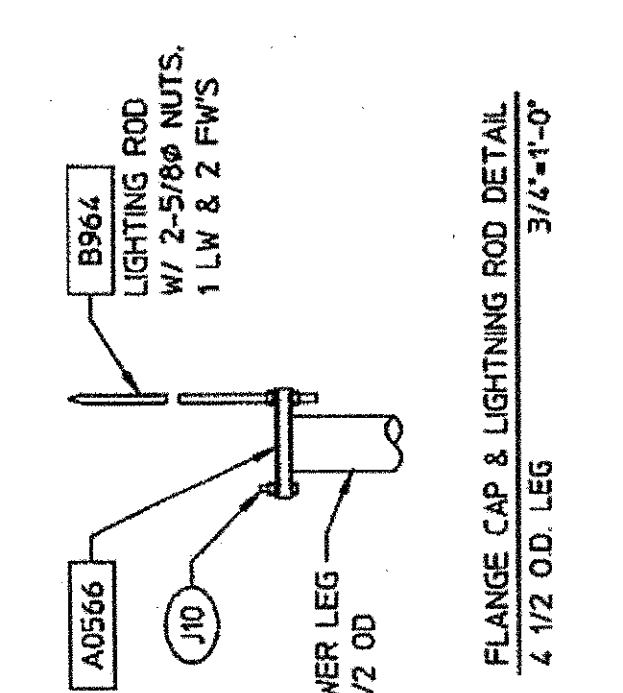
TYPICAL TOWER DETAIL
BAY N 3/4"-1'-0"



ELEVATION
1/8"-1'-0"



PLAN VIEW
1/8"-1'-0"



FLANGE CAP & LIGHTNING ROD DETAIL
3/4"-1'-0"

LEG O.D.
BAY WEIGHT
BAY HEIGHT
TOWER HEIGHT

BAY WEIGHTS DO NOT
INCLUDE ANCHORAGE
PARTS (PIPE MOUNTS,
PLATFORMS, ETC)

SAFETY-CLIMB CABLE
SUPPLIED FOR FACE
MOUNTED CLIMBING LADDER

REFERENCE DRAWINGS:

- FOUNDATION D-125334
- ERECTION DETAILS D-125352-2
- TOWER BRACING DETAILS D-125352-3
- FACE-MOUNTED WAVEGUIDE LADDER D-125352-4
- ANTENNA LAYOUT D-125352-5
- LADDER ANTI-CLIMB B-49008


SYMBOL LEGEND

SYMBOL	DESCRIPTION
A0994	TOWER PART NUMBER
L6	LADDER BRACE DETAIL
S1	VERTICAL BRACE DETAIL
S2	INTERNAL BRACE DETAIL
M1	ANTENNA MOUNT DETAIL
P2	PLATFORM DRAWING REF. (SEE REF. DRAWING LIST)
JT	HARDWARE DESIGNATION

ALL ASTM A325 BOLTS ARE TO BE TIGHTENED TO A SNUG TIGHT CONDITION
*A snug tight condition is defined as the tightness that exists when all piles
in a joint are in firm contact. This may be attained by a few impacts of an
impact wrench or the full effort of a man using an ordinary spud wrench.*
Ref. Specification for Structural Joints Using ASTM A325 or A490 Bolts
Manual of Steel Construction, Allowable Stress Design, AISC, 9th Edition, 1989, pg 5-273, 8.c.i

REV	DESCRIPTION	DATE	BY/CHK
A	RELEASED DRAWING TO THE SHOP	2/20/08	JR/SJS

MASTER ERECTION: 132-M800-180
ARIZONA DEPT OF PUBLIC SAFETY
SITE: THOMPSON PEAK, AZ



1-877-467-4763
Plymouth, IN
1-800-547-2151
Salem, OR

BY	SJ	CK	MF
DATE	13JUN08		

D-125352-1
SHEET: 1 OF 6