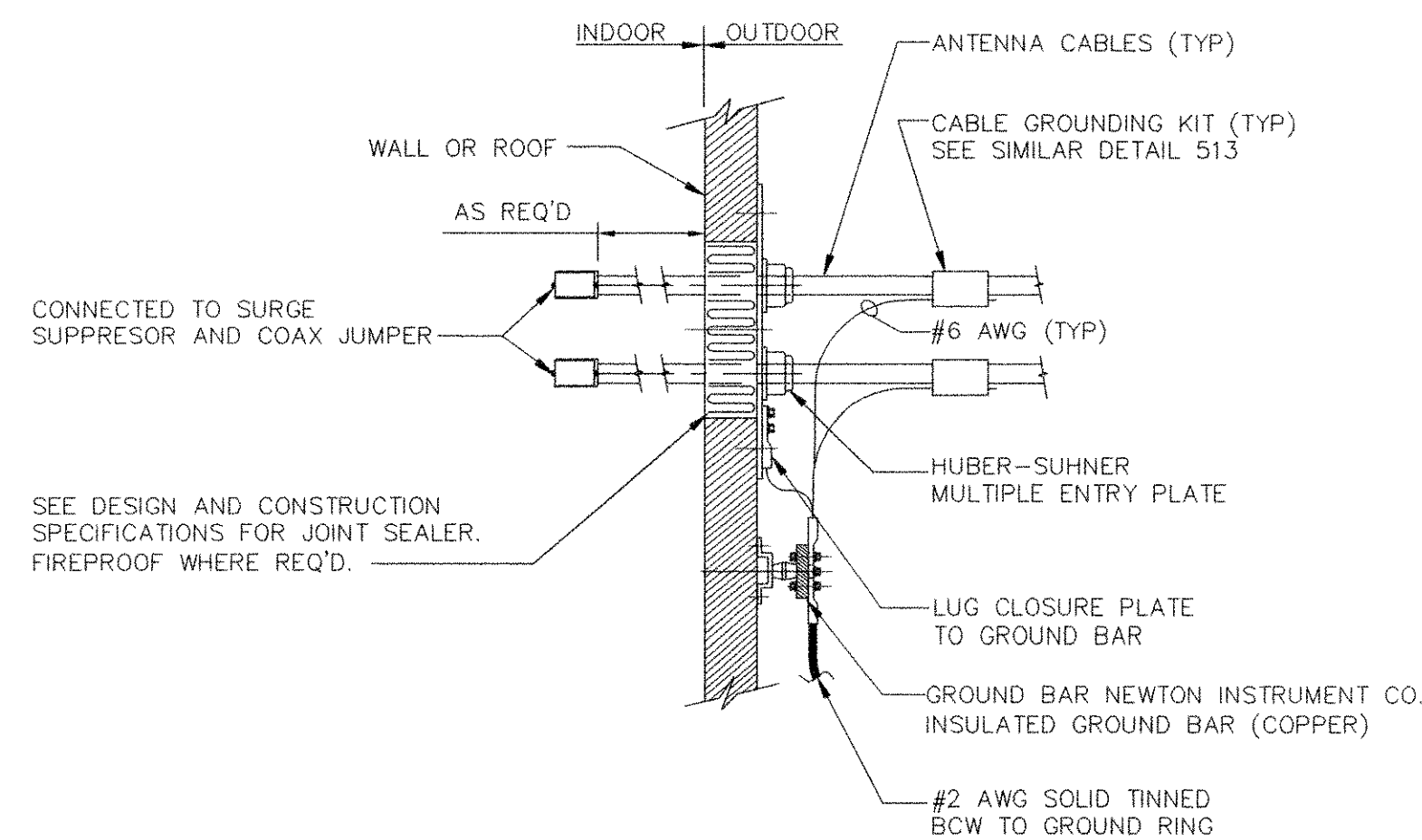


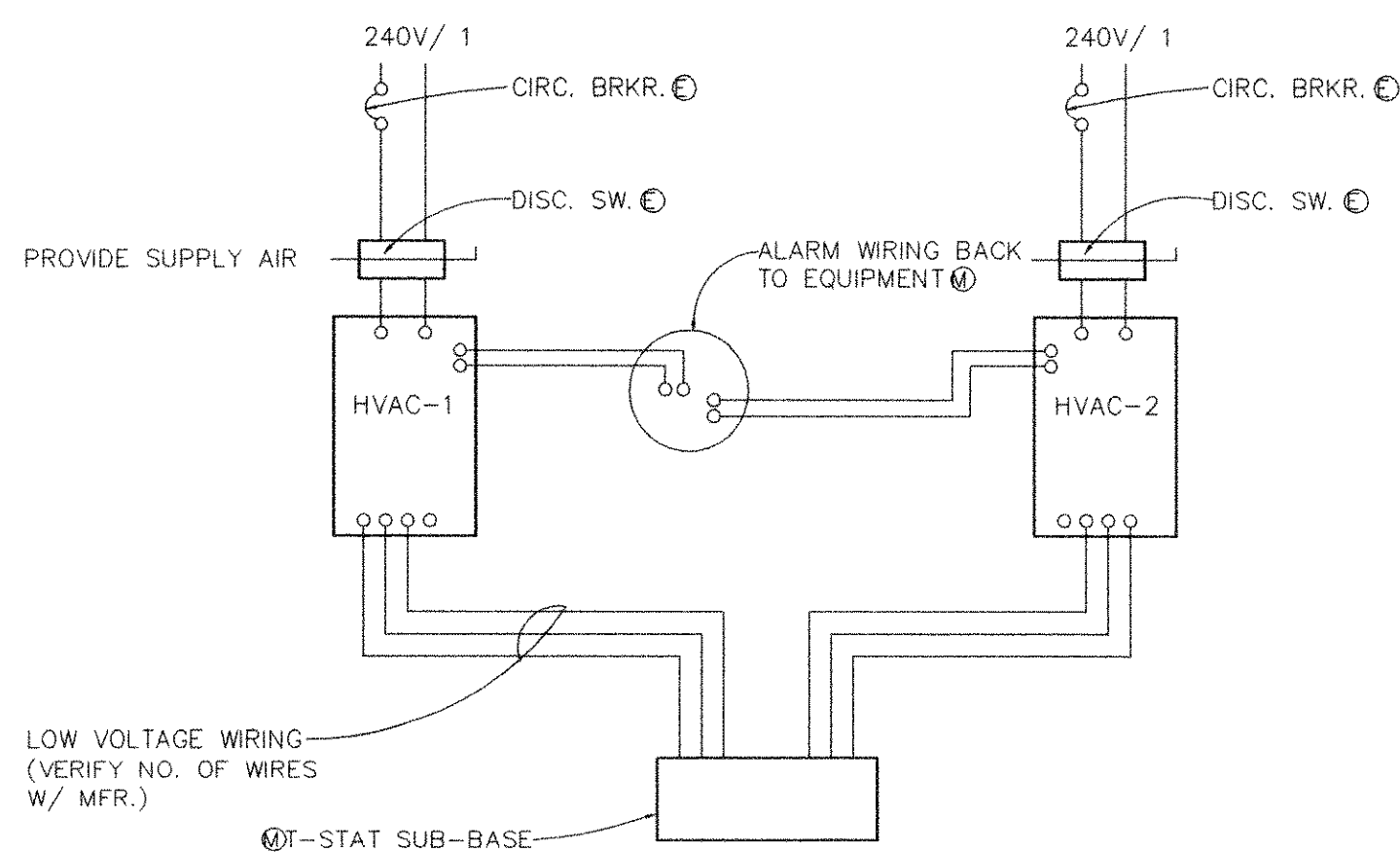
**NOTES:**

1. ALL HARDWARE 18-8 STAINLESS STEEL INCLUDING LOCK WASHERS, COAT ALL SURFACES WITH ANTI-OXIDANT COMPOUND BEFORE MATING.
2. ALL HARDWARE SHALL BE S/S 3/8" Ø OR LARGER
3. FOR GROUND BOND TO STEEL ONLY: INSERT A DRAGON TOOTH WASHER BETWEEN LUG AND STEEL, COAT ALL SURFACES WITH ANTI-OXIDANT COMPOUND BEFORE MATING.

**DOUBLE LUG** 7  
N.T.S.



**GROUNDING AT COAX ENTRY** 8  
N.T.S.

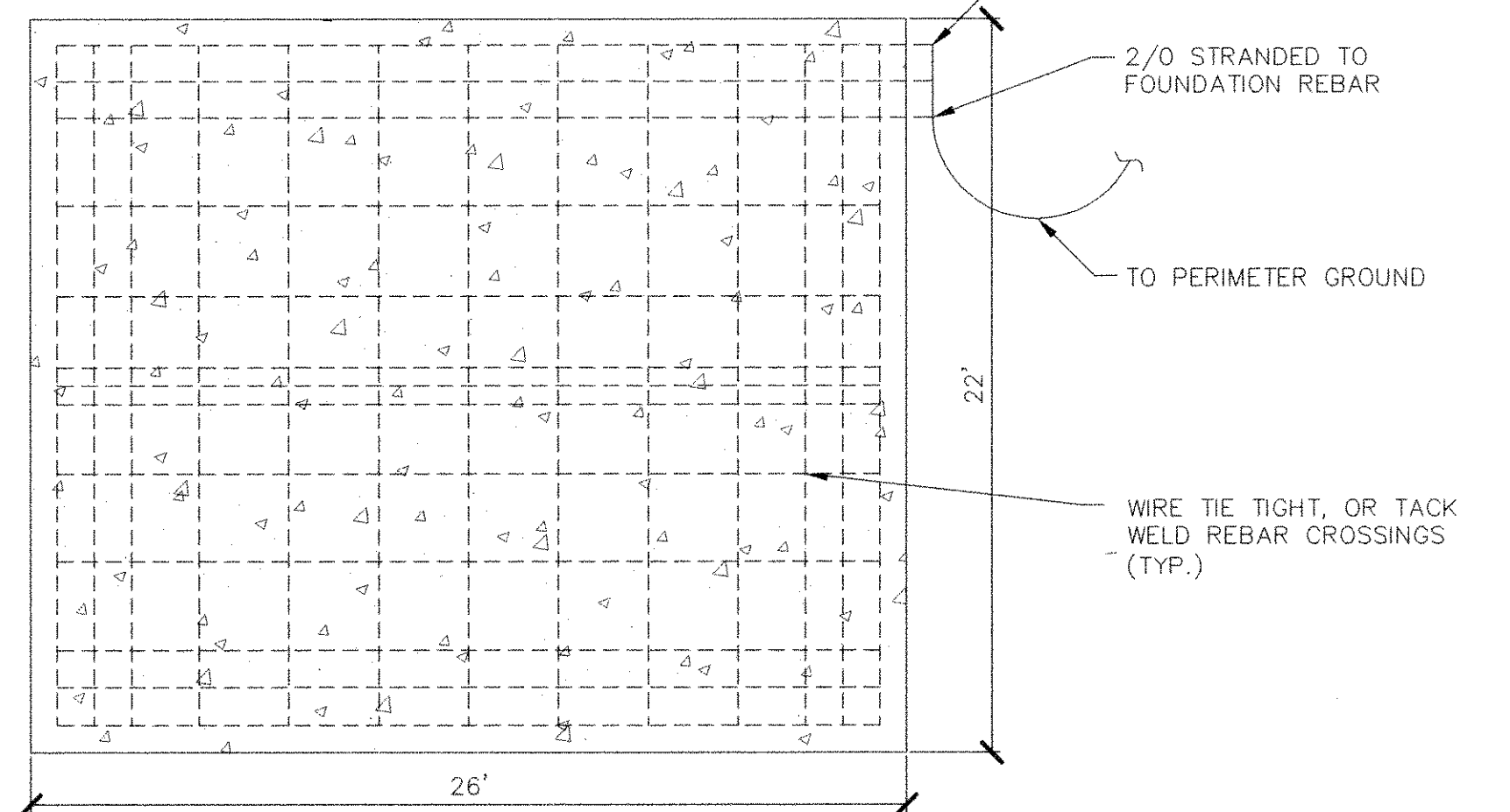


**SEQUENCE OF OPERATION**  
PRODUCTS MENTIONED BELOW SHALL BE AS NAMED OR AN APPROVED EQUAL.

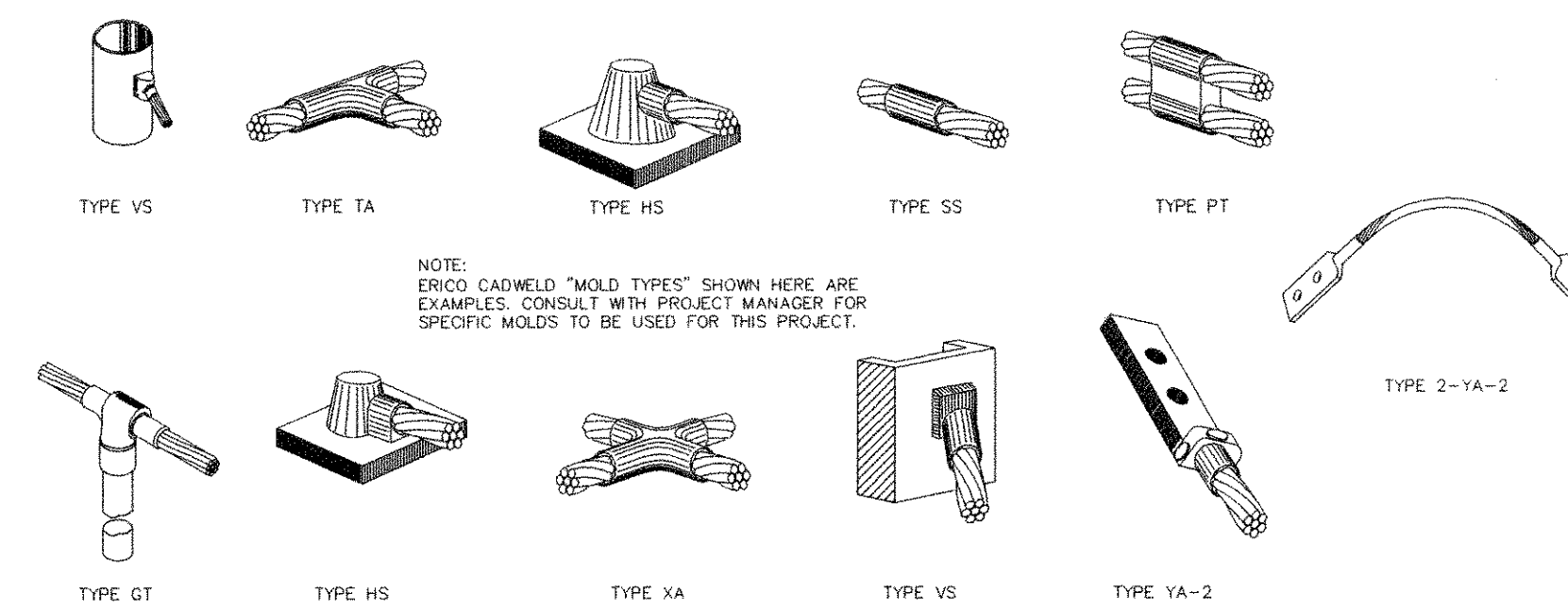
AN ENVIRONMENTAL CONTROL PANEL, HOFFMAN CONTROL ENCLOSURE A16148CHQRFQ, BACK PANEL A16P14, SHALL OPERATE HVAC-1 AND HVAC-2. THE CONTROL PANEL WILL ALTERNATE THE OPERATION OF HVAC-1 AND HVAC-2 FOR EQUAL PERIODS OF TIME. BUT, SHOULD THE COOLING LOAD REQUIRE THE OPERATION OF BOTH HVAC-1 AND HVAC-2, THE CONTROL PANEL WILL OPERATE BOTH UNITS SIMULTANEOUSLY.

**HVAC DIAGRAM** 9  
N.T.S.

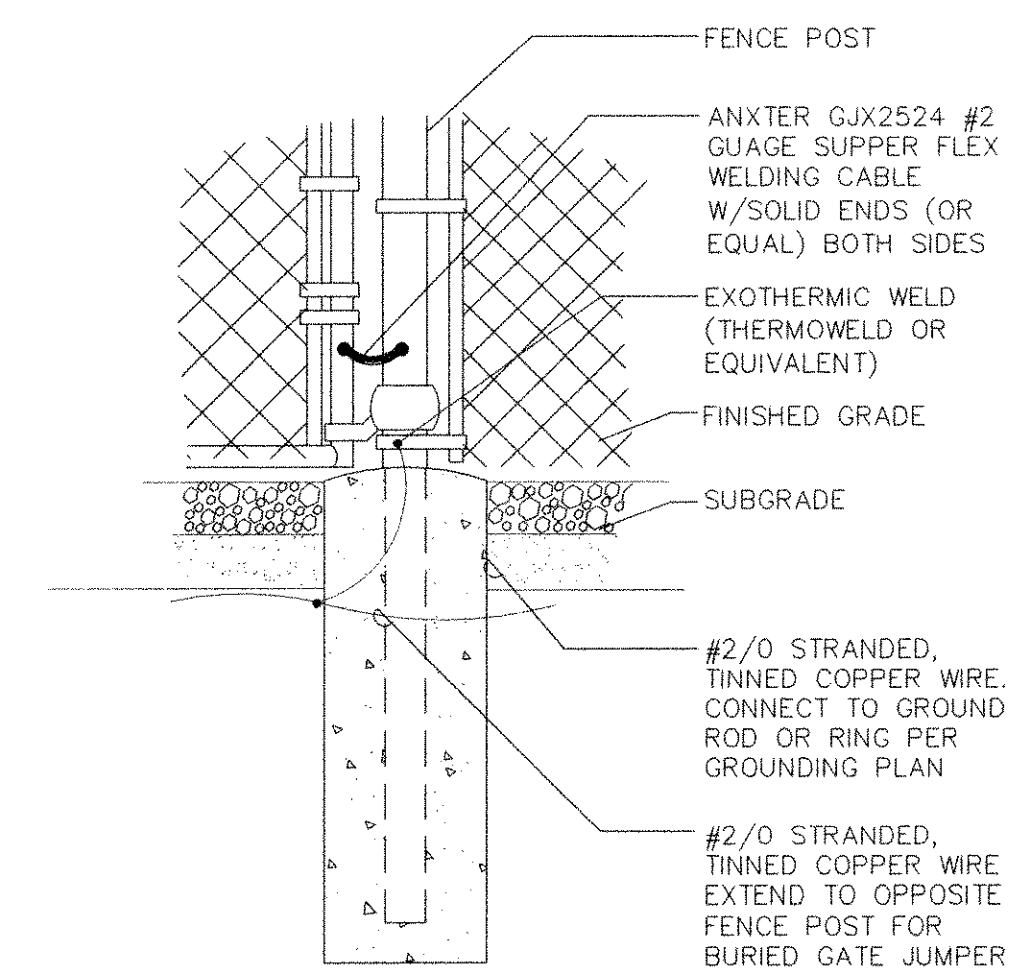
NOTE:  
REBAR MUST BE SPLICED  
A MIN. OF 20bd.



**FOUNDATION UFER GROUND** 4  
N.T.S.

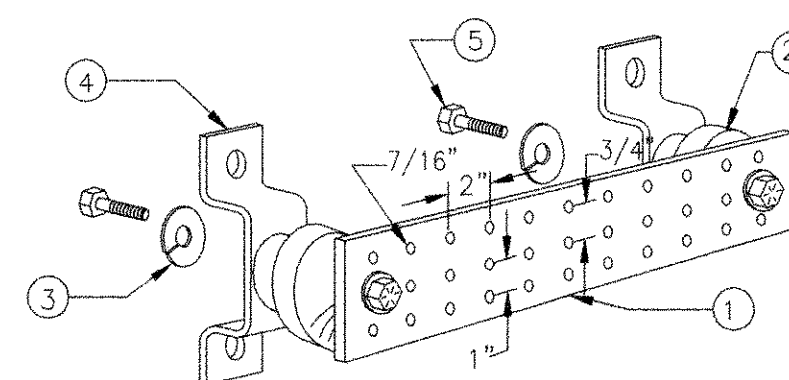


**EXOTHERMIC WELD DETAILS** 1  
N.T.S.



**FENCE GROUNDING** 2  
N.T.S.

**NOT USED** 5  
N.T.S.

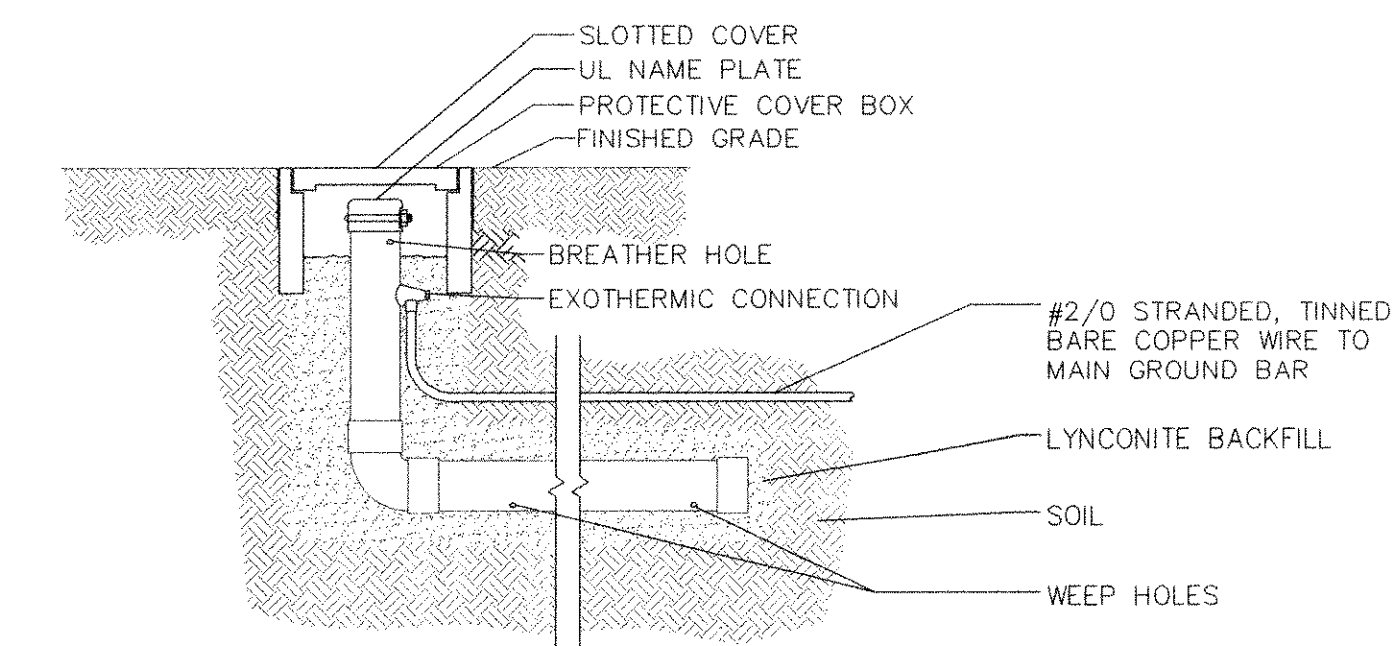


**LEGEND**

PRODUCTS MENTIONED BELOW SHALL BE AS NAMED OR AN APPROVED EQUAL.

- 1- TINNED COPPER GROUND BAR, 1/4"x4"x20", NEWTON INSTRUMENT CO. CAT. NO. B-6142 OR EQUAL. HOLE CENTERS TO MATCH NEMA DOUBLE LUG CONFIGURATION.
- 2- INSULATORS, NEWTON INSTRUMENT CAT. NO. 3061-4
- 3- 5/8" LOCKWASHERS, NEWTON INSTRUMENT CO. CAT. NO. 3015-8
- 4- WALL MOUNTING BRACKET, NEWTON INSTRUMENT CO. CAT. NO. A-6056
- 5- 5/8-11 X 1" HHCS BOLTS, NEWTON INSTRUMENT CO. CAT. NO. 3012-1

**GROUND BAR** 6  
N.T.S.



**LYNCOLE XIT GROUND ROD** 3  
N.T.S.

	<b>CITY OF MESA</b> <b>ENGINEERING DIVISION</b>	
	<b>ELECTRICAL DETAILS</b>	<b>DRAWING</b> <b>15</b>
EXP. 9/30/2012 DRAWN BY: BGH ENGINEER: SAM APPROVED BY: F. RUSTAM	340 W.O. 4399 PROJ. NO. 02-410-001	CATALOG NUMBER: <b>A-139270</b>