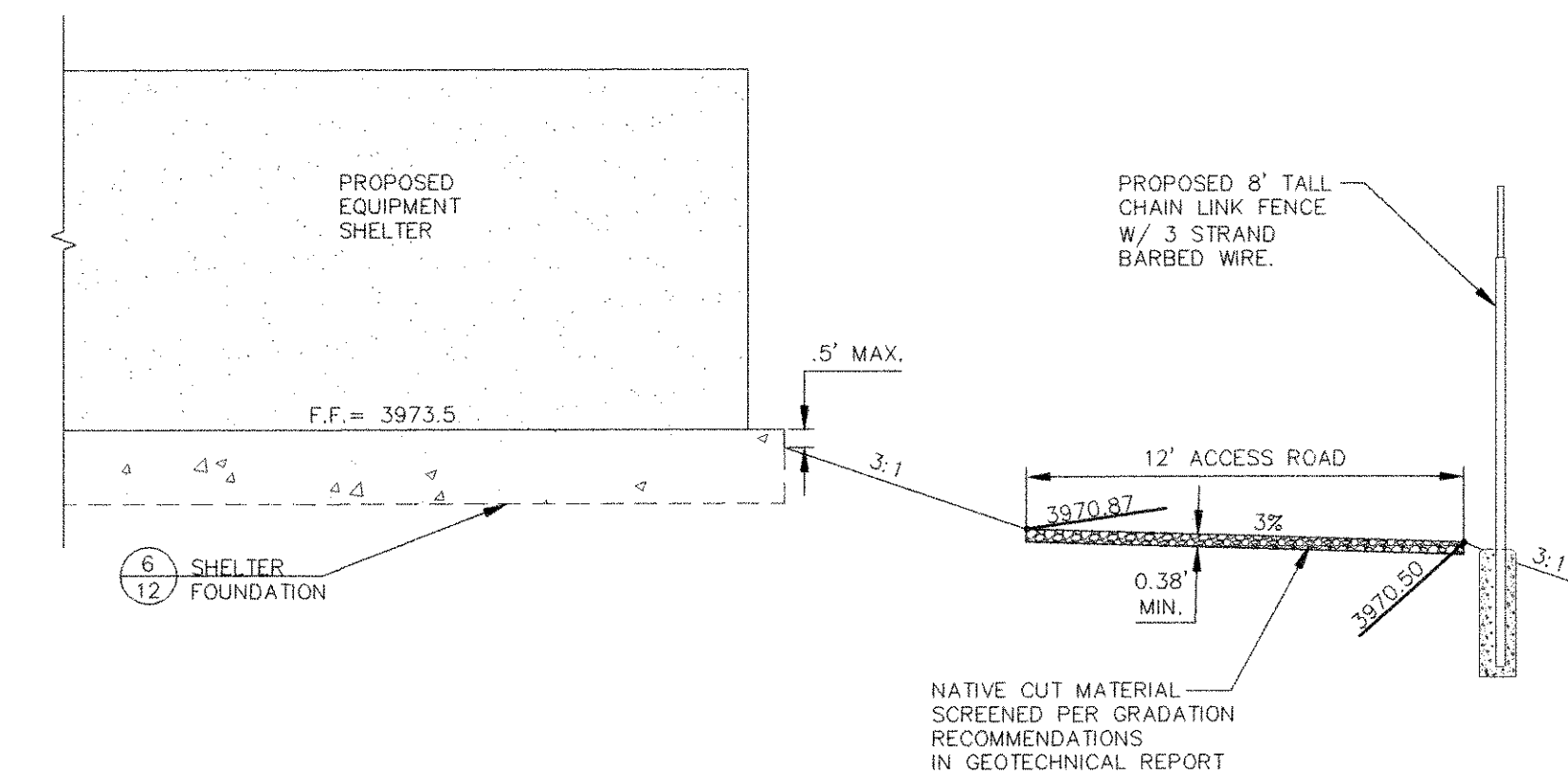
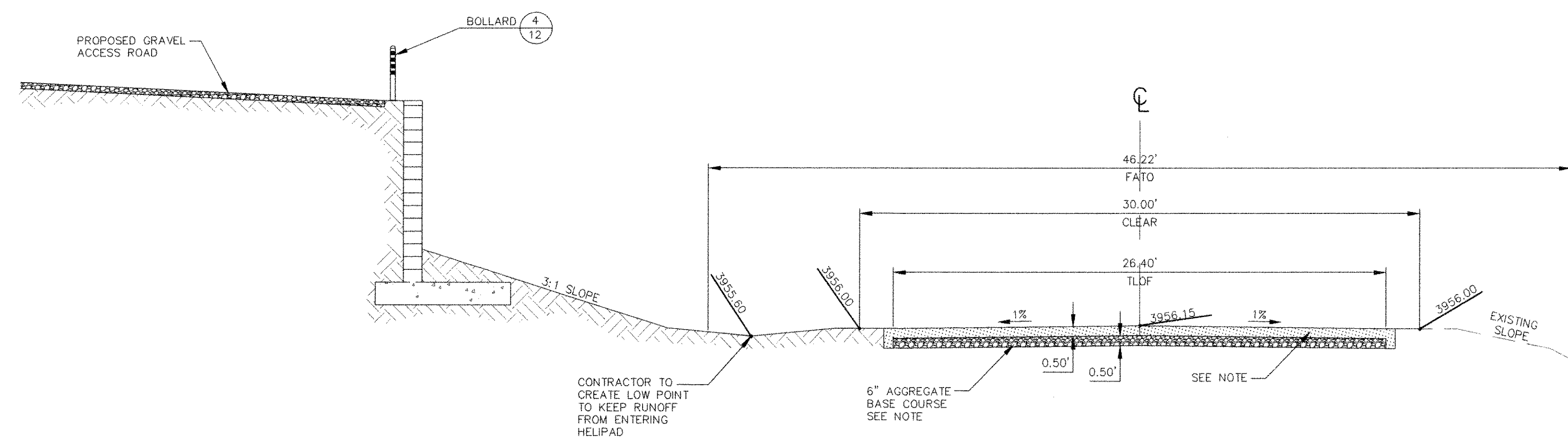


SECTION A-A

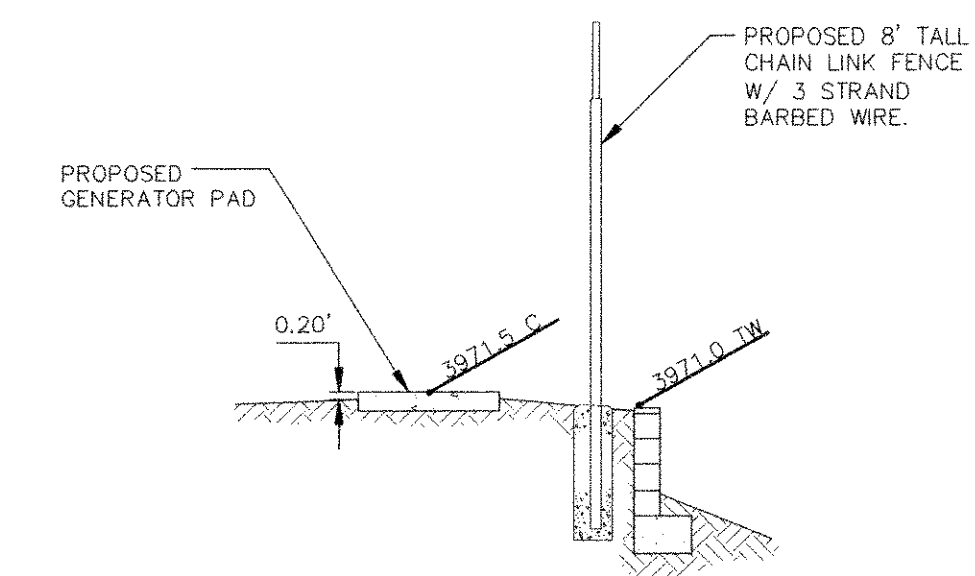


SECTION C-C

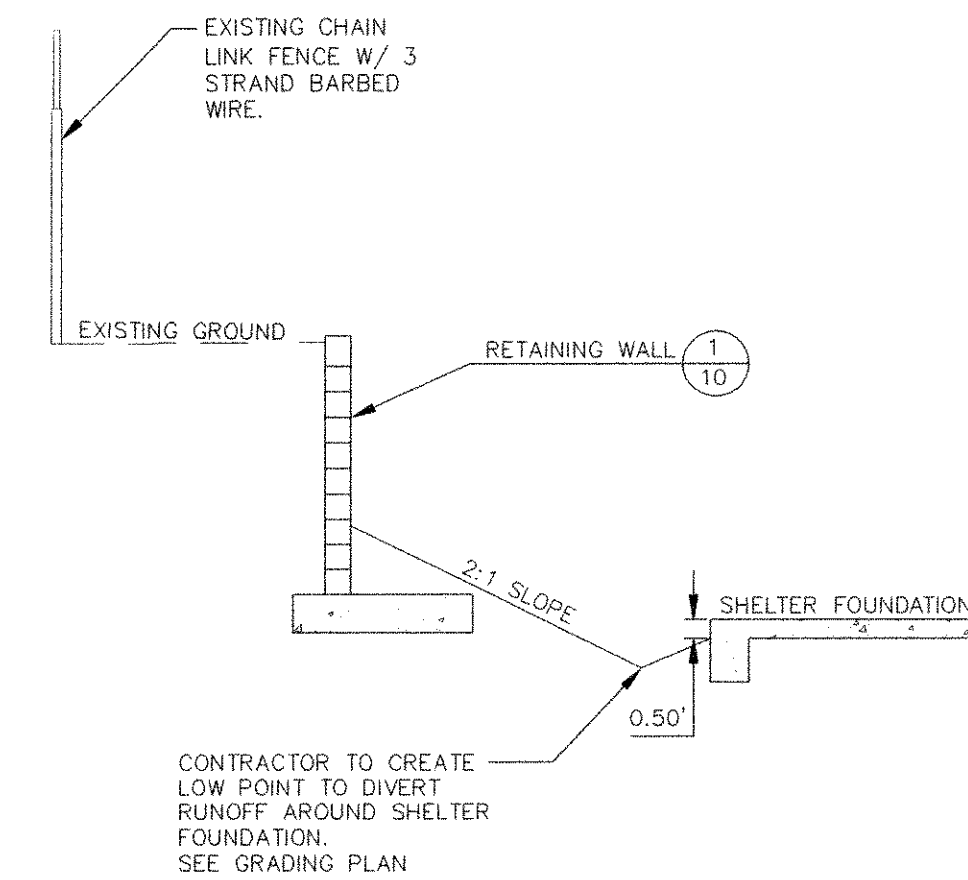


SECTION B-B

NOTE:  
 AS AN ALTERNATE, THE HELIPAD DESIGN MAY CONSIST OF AN AGGREGATE PAD COMPOSED OF 6 INCHES OF AGGREGATE BASE COURSE THAT CONFORM TO THE REQUIREMENTS OF MAG SECTION 702 OR ON-SITE SOILS APPROVED BY THE GEOTECHNICAL ENGINEER OF RECORD, OVERLAIN BY 6 INCHES OF MATERIAL THAT COMPLIES WITH THE GRADATION, LIQUID LIMIT, PLASTICITY INDEX AND COMPACTION REQUIREMENTS SET FORTH IN THE UNIFIED FACILITIES CRITERIA (UFC 3-260-02) FOR AGGREGATE SURFACED HELIPORTS. A POLYMER-BASED DUST PALLIATIVE SUCH AS SOLTAC, DURASOL OR EQUIVALENT SHOULD BE APPLIED TO THE SURFACE AT THE RATE RECOMMENDED BY THE MANUFACTURER (APPROXIMATELY 50 FT<sup>2</sup>/GAL), AND AT LEAST ONCE A YEAR OR AS FREQUENTLY AS REQUIRED TO PREVENT EROSION AND RESUSPENSION OF PARTICULATES DURING LANDING AND TAKE OF HELIPAD SURFACE DRAINAGE AND GRADES SHOULD CONFORM TO FAA ADVISORY CIRCULAR AC 150/5390-2A.



SECTION D-D



SECTION E-E

<p>2151 EAST BROADWAY ROAD, SUITE 217, TEMPE, AZ 85282          VOICE: 480.905.8889 FAX: 480.905.8818</p>	<p>CITY OF MESA          ENGINEERING DEPARTMENT</p>	
	<p>THOMPSON PEAK          COMMUNICATION TOWER</p>	
<p>REGISTERED PROFESSIONAL ENGINEER          41949          SANDEEP ANAND          MANE          ARIZONA U.S.A.          EXPIRES 3/31/11</p>	<p>GRADING          CROSS SECTIONS</p>	<p>DRAWING          9</p>
	<p>9 OF 33</p>	<p>CATALOG NUMBER:          A-139264</p>

DRAWN BY: BGH  
 ENGINEER: SAM  
 APPROVED BY: F. RUSTAM

340 W.O. 4399  
 PROJ. NO. 02-410-001